

ET / HT / CE - EN 361 - EN 358

Operating and maintenance instructions

Instructions d'emploi et d'entretien

Gebrauchs- undWartungsanleitung

Instructies voor gebruik en onderhoud

Manual de empleo y de mantenimiento

Istruzioni per l'uso e la manutenzione

Instruções de uso e de manutenção

Οδηγίες χρήσης και συντήρησης

Vedlikeholds- og bruksanvisning

Instruktionsbok för användning och underhåll

Käyttö- ja huoltokäsikirja

Brugs- og vedligeholdelsesvejledning

Instrukcja obsługi i konserwacji

Инструкции по использованию и
техническому обслуживанию

English GB

Français FR

Deutsch DE

Nederlands NL

Español ES

Italiano IT

Português PT

Ελληνικά GR

Norsk NO

Svenska SE

Suomi FI

Dansk DK

Polski PL

Русский RU

GB Fall arrest harnesses and work positioning belts

FR Harnais antichute et ceintures de maintien

DE Auffangurte und Haltegurte

NL Valbeveiligingsharnas en steungordels

ES Arneses anticaídas y cinturones de sujeción

IT Imbracatura anticaduta e cinture di posizionamento

PT Arneses anti-queda e cintureões de posicionamento

GR Ολόσωμη ἄνη ασφαλείας και ἴωνι μέσης

NO Sikkerhetsseler og støttebelter

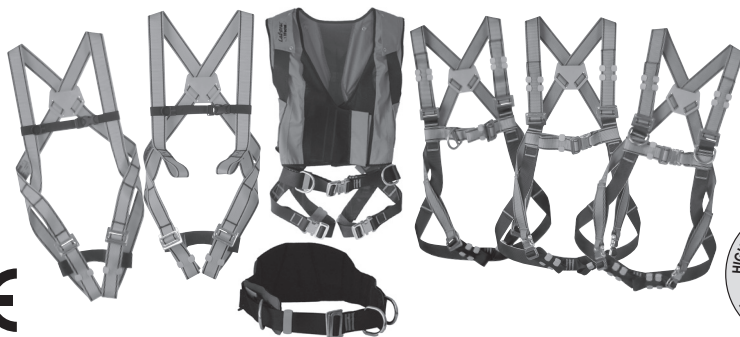
SE Säkerhetsselar och stödbälten

FI Turvavaljas ja tukivyöt

DK Styrtsikre sikkerhedsseler og fastholdelsesbælter

PL Uprzążcze zabezpieczające przed upadkiem z wysokości i pasy podtrzymujące

RU Привязные ремни безопасности для защиты от падения и страховочные пояса



	d	e	f	g	h	l	u	o	t
ET10	-	-	-	1	-	-	-	-	-
ET11	-	2	-	1	-	-	-	-	-
HT10	-	-	-	1	-	-	-	-	-
HT11	-	-	-	1	1	-	-	-	-
HT21	2	-	1	1	1	-	-	-	*
HT22	2	-	1	1	1	-	-	-	*
HT31	2	-	-	1	1	-	-	-	*
HT33	2	-	-	1	1	2	-	4	*
HT34	2	2	1	1	1	2	-	4	*
HT42	2	2	-	1	1	-	-	-	*
HT43	2	2	1	1	1	-	-	-	*
HT44	2	2	-	1	1	-	-	-	*
HT45	2	-	1	1	1	-	-	-	*
HT46	2	2	1	1	1	-	-	-	*
HT47	2	-	-	1	1	-	-	-	*
HT120	2	2	1	1	1	-	-	-	*
HT Ladytrac	-	-	-	1	-	-	-	-	*
HT Ladytrac B	-	-	-	1	-	2	-	-	*
CE01	-	-	-	-	-	2	-	4	-
CE02	-	-	-	-	-	2	-	4	-
CE03	-	-	-	-	-	2	-	-	-
CE04	-	-	-	-	-	2	1	4	-
CE06	-	-	-	-	-	2	-	4	-
CE07	-	-	-	-	-	2	1	4	-
CE08	-	-	-	-	-	2	1	4	-

- : Sans objet
* : Option

- : Not applicable
* : Option

- : Nicht zutreffend
* : Zusatzausstattung

- : Niet van toepassing
* : Optie

- : Sin objeto
* : Opción

- : Senza oggetto
* : Opzione

- : Χωρίς αντικείμενο
* : Προαιρετικά

- : Gjelder ikke
* : Opsjon

- : Ej tillämpligt
* : Tillval

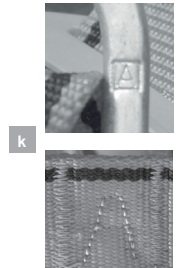
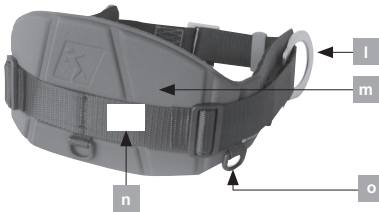
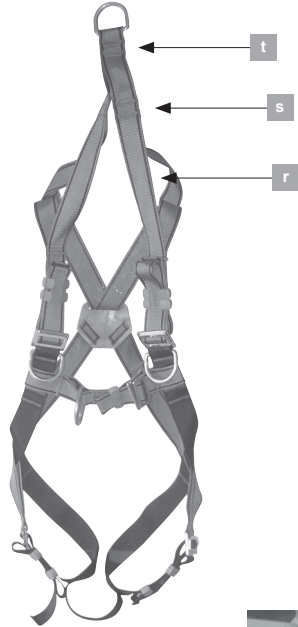
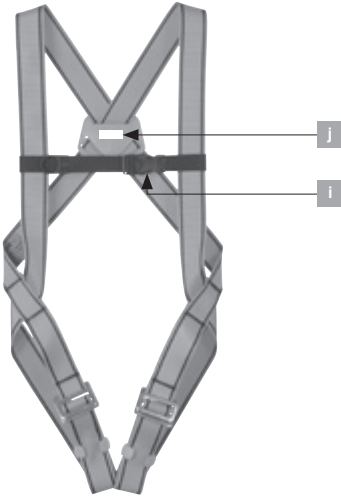
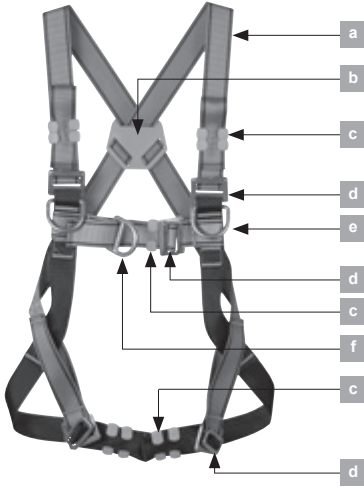
- : Ei koske
* : Valinnainen

- : Ikke relevant
* : Tilvalg

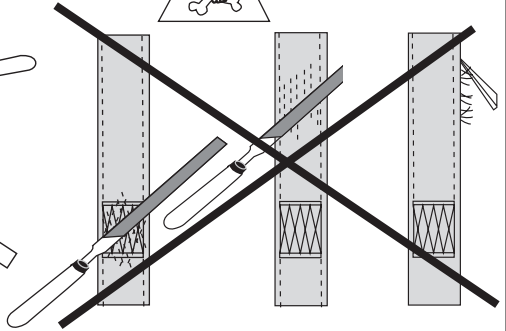
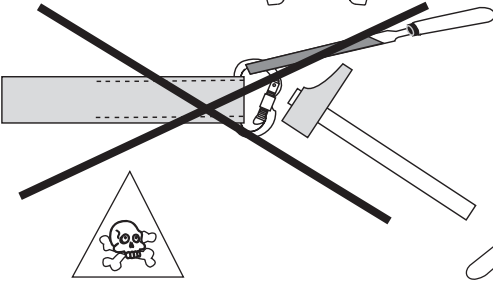
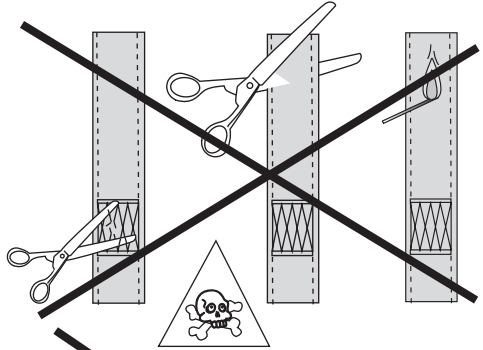
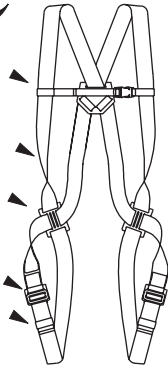
- : Nie dotyczy
* : Opcja

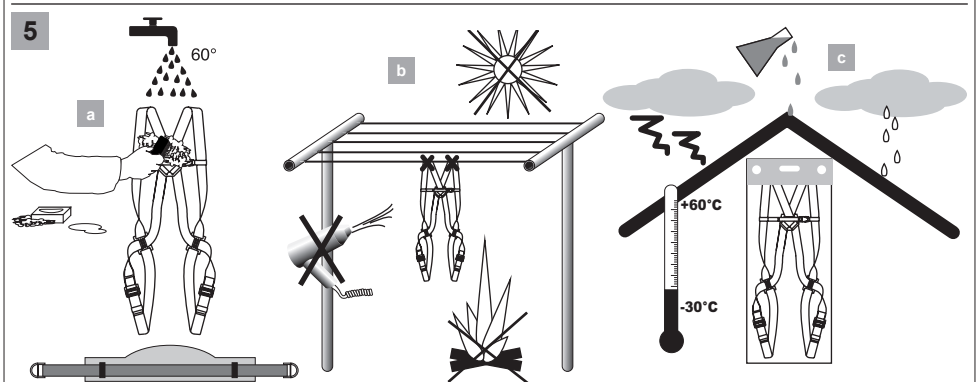
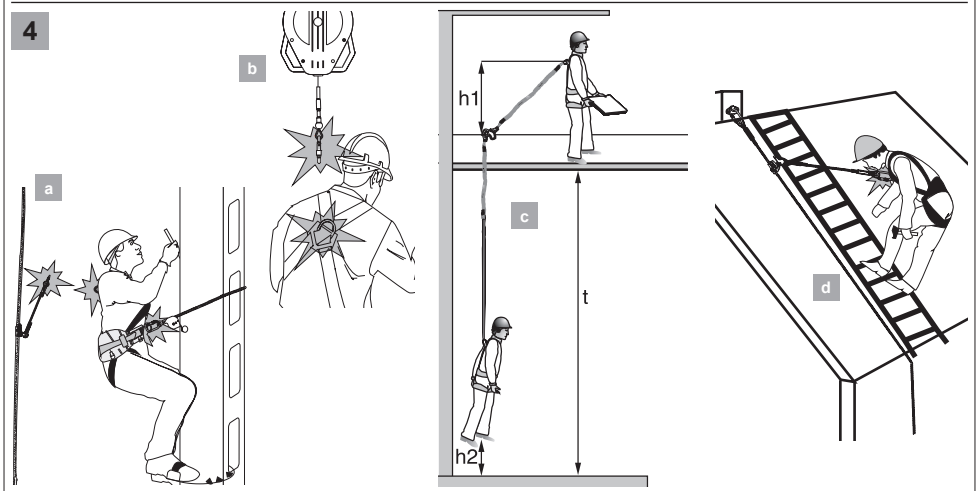
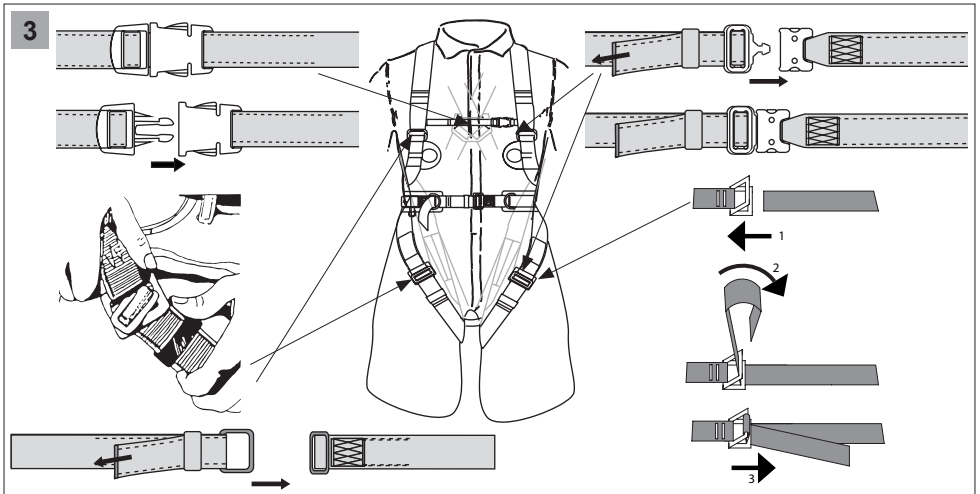
- : Не применяется
* : Дополнительная опция

1



2





1. Warning

- HT/ET harnesses are a component of the fall-arrest system, HT R harnesses are a component of the fall-arrest system that can be used for rescue operations. This equipment complies with standards EN 361/EN1497 which can be coupled with CE belts complying with standard EN 358. These two types of equipment can only be used by one trained and/capable person, or by an operator under the direct supervision of such a person.
- Before using an HT/ET harness, and to ensure safe, efficient use of the harness, it is essential that the user be properly trained in the use of the equipment and has read and understood the information given in the manual supplied by Tractel® SAS. This manual should be available to users at all times. Additional copies of the manual can be supplied on request. The user should perform an initial suspension test in a safe location to ensure that the harness is properly adjusted and provides an acceptable level of comfort for the planned application.
- Before use, it is essential that users are trained in the use of this safety device. Check the state of associated equipment and make sure that there is adequate room for movement.
- If a harness is not in apparent good condition, it must be verified by Tractel® SAS, or by an approved and competent technician, who must authorise the continued use of the system in writing. It is recommended to make a visual inspection prior to each use.
- Any modification or attachment made to the equipment cannot be done without prior written approval from Tractel® SAS. The equipment must be transported and stored in its original packaging.
- Any harnesses that have not been subject to periodical inspection within the last 12 months, cannot be used. They can only be used again after a new periodical inspection carried out by an approved and competent technician who can offer written permission for use. Failing this inspection and approval, the harness will be dismantled and destroyed. If it has arrested a fall, it must be dismantled and destroyed.
- The maximum working load is 150 kg for HT/ET harnesses and the same for the CE work station support belts.
- If the weight of the user increased by the weight of their equipment and tools is between 100 kg and 150 kg, you must ensure that the total weight (user, equipment + tools) does not exceed the maximum load of each of the components of the fall-arrest system.
- This device is suitable for use on an open air site and for a temperature range of -30° C to +60° C. Avoid any contact with sharp edges, rough surfaces and chemical substances.
- Important: If you are responsible for assigning this equipment to an employee or similar person, ensure that you comply with the applicable health and safety at work regulations.
- The operator must be 100% fit and mentally sound when using this equipment. If in doubt, consult a doctor or an occupational physician. Prohibited for pregnant women.
- The equipment should not be used beyond its limits or in any other situation than that provided for (cf. '4 - Functions and Description').
- We recommend that the harness be attributed to each operator personally, especially in the case of a salaried workforce.

- Before using a NF EN 363 fall arrester device, the user must ensure that each of the components is in good working order: security system, locking system. During installation, no damage should be made to any of the security functions.
- In a fall-arrest system, it is essential to check the free space under the operator at the workplace before each use, so that in the event of a fall there is no risk of hitting the ground or an obstacle in the path of the fall.

Figure 4.c, page 5.

- ▶ **h1** must be between 0 m and 1.5 m.
- ▶ **h2** must be at least 1 m.
- ▶ **t** is the minimum air space under the operator's feet.

This can vary according to the type of fall-arrest device connected to the harness.

- For a blocfor™, t = 3 m minimum.
 - For a stopfor™, t = 4 m minimum.
 - For a lanyard with energy absorber, t = 6 m minimum.
 - For a stopcable™ (EN 353-1), t = 2 m minimum.
 - For a stopcable™ (EN 353-2), t = 4 m minimum.
- The harness must be withdrawn from storage and maintained in accordance with the instructions given in the manual. Failure to observe the instructions given in the maintenance and storage section can have a very negative impact on the service life of the harness.
 - It is essential for the safety of the operator that the device or anchoring point is correctly positioned and that work is carried out so as to minimise the risk of falls from height.
 - For the safety of the operator, if the product is sold outside the initial country of destination, retailers must provide: An instructions manual and a maintenance manual for periodic inspection and repair purposes, written in the language of the country in which the equipment is to be used.



NOTE

For all special applications, contact the TRACTEL® network

2. Definitions and symbols

2.1 Definitions

"User": Person or department responsible for the management and safety of use of the product described in the manual.

"Technician": Qualified person in charge of the maintenance operations described in, and authorised by the user manual, who is competent and familiar with the product.

"Operator": Operational personnel involved in the use of the product as it is intended to be used.

"PPE": Personal protective equipment against falls from height.

"Connector": Connection element between components of a fall-arrest system. This is EN 362 compliant.

"Fall arrest harness": Body harness designed to arrest falls. It consists of straps and buckles. It features fall-arrest attachment points marked with an **A** if they can be used alone, or marked with **A/2** if they are to be used in combination with another **A/2** point. This is EN 361 Standard compliant.

"Maximum operating load": Maximum weight of the fully dressed user, equipped with their PPE, work clothes, tools and components required for the job in hand.

"Fall-arrest system": Equipment consisting of following components:

- Fall-arrest harness.
- Self Retracting Lifeline, energy absorber or mobile fall arrester on rigid anchor point, or fall arrester on flexible anchor.
- Anchoring.
- Linking component.

"Fall-arrest system component": Generic term defining one of the following:

- Fall-arrest harness.
- Self Retracting Lifeline, energy absorber or mobile fall arrester on rigid anchor point or fall arrester on flexible anchor.
- Anchoring.
- Linking component.

2.2. Pictograms



DANGER: Placed at the beginning of the line, refers to instructions to avoid injury to persons, including death, serious or minor injuries, and damage to the environment.



IMPORTANT: Placed at the beginning of the line, refers to instructions for avoiding a failure or damage to equipment, but do not directly endangering the life or health of the operator or that of others, and/or not likely to cause environmental damage.



NOTE: Placed at the beginning of the line, refers to instructions to ensure the effectiveness and convenience of installation, use or maintenance operations.

3. Operation

Every time before use, check:

- Visually check the condition of the harness, straps, stitching and loops. The strap and stitch threads must not show any signs of abrasion, fraying, burns or cuts. The adjustment devices and loops must not show any signs of corrosion or deformation and should operate correctly. If you have any doubt, immediately remove the product from circulation.
- Check the state of the harness and connector attachments.
- Check the complete fall arrester system.

4. Functions and description



IMPORTANT: The HT/ET harness are intended to create an anchorage point on the operator to form a fall-arrest system to protect him against a fall when performing work at heights. A fall-arrest harness is the only device which can be worn on a body in a fall-arrest system.

CE belts are systems to support the operator at the work station.



DANGER: CE belts must not be used as protection from falls from height.

The maximum load for HT/ET harness use and CE work station support belts is 150 kg.

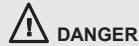
By reference to their respective manuals, you must make sure before use that all the components of the fall-arrest system are compatible with this load.

If this is not the case, the maximum load will be that of the fall-arrest system component with the lowest maximum load.

Depending on the type of harness, there are several possible uses :

- Harness with back anchorage point: fall-arrest safety for working at heights,
- Harness with back and chest anchorage point: same harness with back anchorage point + work positioning, safety when climbing ladder, etc,
- Harness with belt anchorage point: fall-arrest safety according to type and anchorage points available, belt anchorage point for work positioning. In a work station support system, the lanyard must be kept taut and free movement must be limited to a maximum of 0.6 m.
- The HT R harnesses are similar to the HT harnesses, but equipped with an additional stitched rescue lanyard on the shoulder straps. This lanyard enables the rescuer to efficiently evacuate the injured person. The harnesses are fitted with a label located near the rescue lanyard D-ring used for attachment. The label specifies that the lanyard must only be used for rescue operations.
- The Ladytrac™ harnesses are primarily intended for women. Their special, patented design allows them to perfectly adapt to a woman's body. The harnesses are equipped with a vest for easy fitting.
- The HT120 harness has a thoracic anchor point especially designed and positioned to connect to a rail-mounted fall arrester for ladders. The special feature of the thoracic anchor is its ability to move, during a fall, by tearing a seam. The principle is patented. It is specifically positioned for this application, and will not hinder the operator during ascent or descent.

See table of attachment points on page 2.



DANGER
Do not use belt lateral anchor points as anchors for the fall arrester; these must only be used for work positioning purposes (EN 358) in combination with a work positioning lanyard (EN 358), nor the anchor point for the lifesaving lanyard (EN 1497) used for evacuation only.

Figure 4 (a, c, d), page 5.

Do not use the harnesses for any purpose other than protection against fall from heights. Use of the harness for leisure or sport activities is prohibited.

5. Usage constraints description

It is strictly forbidden:

- To install or use an HT/ET harness or CE work station support belt without being authorised, trained and certified as competent or failing that, without being under the supervision of an authorised person, trained and certified as competent.
- To use an HT/ET harness or work station support belt if its CE marking is not readable.
- To install or use an HT/ET harness or CE work station support belt if all necessary checks have not been performed.
- To install or use an HT/ET harness or CE work station support belt that has not been subject to a periodical inspection within the last 12 months by a technician who has authorised its return to use in writing.

- To use an HT/ET harness for any other application than protecting people from falling from heights.
- To use a CE work station support belt for any other application than holding the operator in place at the work station.
- To anchor an HT/ET harness by any other means than the anchor point marked **A** or **A/2**.
- To use an HT/ET harness or CE work station support belt in a manner that contradicts the information defined in "13. Life cycle".
- To use an HT/ET harness or CE work station support belt for a person whose weight, including equipment and tools, is greater than 150 kg.
- To use an HT/ET harness or work station support belt with a load of between 100 kg and 150 kg (total weight of the user, equipment and tools) if any component in the fall-arrest system has a lower maximum load.
- To use an HT/ET harness if it has arrested a fall.
- To use an HT/ET harness or CE work station support belt outside the temperature range specified in this manual.
- To use an HT/ET harness if the vertical clearance is inadequate should the person fall.
- To use an HT/ET harness or CE work station support belt if you are not 100% fit.
- To use an HT/ET harness or CE work station support belt if you are a pregnant woman.
- To use an HT/ET harness or CE work station support belt if the safety function of one of the associated components is affected by the safety function of another element or interferes with it.
- To anchor an HT/ET harness or CE work station support belt through a fall-arrest system to a structural anchor where the resistance is less than 12 kN, or perceived as such.
- To carry out repair or maintenance operations on an HT/ET harness or CE work station support belt.
- To use an HT/ET harness or CE work station support belt if it is not complete, has been dismantled beforehand or if any components have been replaced.

6. Installation

Figure 3, page 5.

Assemble all adjustment loops of the harness when the operator is wearing it.

Adjust the lengths of the various straps: they should not be over or undertightened to obtain maximum comfort when using the system and for optimum fall-arrest protection. The harness will ensure efficient protection under these conditions.

- Whenever possible, the structural anchor point will be located at a height between 1.5 and 2 metres above the operator's feet. The structural anchor point must withstand a minimal resistance of 12 kN.
- The connection to the anchoring point or to the structure must be done using an EN 362 connector.
- For the connection of the fall-arrest system to the fall-arrest harness, refer to the instructions of the harness and the fall-arrest system in order to use the proper anchorage point and the proper attaching procedure.



Before and during use, it is necessary to plan out how possible rescue can be efficiently and safely conducted, within less than 15 minutes. Beyond this time, operator is in danger.

7. Components and materials

Figure 1, on page 3: Harness - EN 361 - EN 358 - EN 1497.

- PES shoulder strap.
 - PE Backplate.
 - Elastomer loop.
 - Steel adjustment buckle.
 - Steel side clip (fall-arrest point, see Figure 1, on page 3).
 - Steel or PES chest clip (fall-arrest point, see Figure 1, on page 3)
 - Steel back clip (fall-arrest point, see Figure 1, on page 3).
 - PES buttock strap.
 - PP chest buckle.
 - Marking label.
 - Marking "A", of the attachment points, on the D ring or the strap.
 - Steel side clip (handing point, see Figure 1, on page 3).
 - Backplate in PE foam and fabric.
 - Marking label.
 - POM service ring.
 - Steel adjustment buckle.
 - Elastomer loop.
 - Rescue strap.
 - Rescue lanyard label.
 - Attachment D-ring for rescue.
 - Central belt attachment.
- Strap + seam threads: polyester.
 - Loops made of galvanized steel and aluminum.
 - Cordura-covered foam back piece.
 - Back plate, loops: polyethylene, thermoplastic elastomer.

8. Permissible attachments

Fall-arrester system (EN 363):

- EN 795 Anchorage.
- An end connector (EN 362).
- A fall-arrest system (EN 353-1/2 - EN 355 - EN 360).
- A connector (EN 362).
- A fall-arrest harness (NF EN 361).

Before using an EN 363 fall-arrest system, check that every component is usable and in working order

9. Maintenance and storage

- If a harness becomes dirty, wash it in clean cold water, possibly with a detergent for delicate fabrics, using a synthetic-fiber brush.
- When the harness becomes wet, either during use or washing, leave it to dry naturally in the shade and away from all sources of heat.

See figure 5, on page 5.

- During stocking and transport, protect the equipment against any danger (cutting edge, direct heat source, chemical substances, UV, etc.).

10. Conformity of the equipment

Tractel SAS, RD 619 - Saint-Hilaire-sous-Romilly - F - 10102 Romilly-sur-Seine - France, hereby declares that the safety equipment described in this manual.

- complies with the requirements of Regulation (EU) 2016/425 of the European Parliament of March 2016.
- is identical to the PPE, having been subject to the "EU"-type-examination certificate issued by the APAVE SUDEUROPE SAS - CS 60193 - 13322 Marseille - France, identified under the number 0082, and tested in accordance with standards EN 361 dated 2002, EN 358 dated 2018.
- is subject to the procedure referred to in Annex VIII of Regulation (EU) 2016/425 of the European Parliament, module D, under the control of a notified body: APAVE SUDEUROPE SAS - CS 60193 - 13322 Marseille - France, identified under the number 0082.

11. Marking

The label on each of the HT/ET harnesses and CE belts indicates:

- a: The trade name: Tractel®.
- b: The name of the product,
- c: The reference standard followed by the year of application,
- d: The product reference,
- e: CE Logo followed by the number 0082, identification number of the approved body responsible for production control,
- f: Year and month of manufacture,
- g: The serial number,
- h: A pictogram showing that the manual must be read before use,
- w: Maximum operating load.

For the HT R harnesses, an additional label is provided near the anchorage D-ring for the rescue lanyard, comprising:

- i: The trademark,
- j: The reference standard followed by the year of application,
- k: A pictogram indicating that you must read the user manual before use, a text indicating: for rescue operations only.

12. Periodic inspections

An annual periodical inspection is required, but depending on the frequency of use, environmental conditions and regulations of the company or the country of use, periodical inspections may be more frequent.

Periodical inspections shall be carried out by an approved and competent technician and in accordance with the manufacturer's examination procedures as laid down in the file "Verification procedures for Tractel® PPE".

Verification of the legibility of the marking on the product is an integral part of the periodical inspection.

Following the periodical inspection, a certificate of return to service must be issued by the approved and competent technician who performed the periodical inspection. This return to service must be recorded on the inspection sheet in the middle of this manual. This inspection sheet should be retained throughout the life of the product until it is scrapped.

After arresting a fall, this textile product must be dismantled and destroyed, even if there is no visible alteration.

13. Life cycle

Tractel® textile PPE equipments as harnesses, lanyards, ropes and energy absorbers, Tractel® Mechanical PPE equipments as stopcable™ and stopfor™ fall arresters, blocfor™ self-retracting fall arresters, and the Tractel® lifelines can be used without restrictions from their manufacturing date providing that:

- A normal use is made in accordance with the instructions manual,
- A periodical inspection, which must be accomplished at least once a year by an approved and competent technician. At the end of this periodical inspection, the PPE must be certified fit to return to service, in writing,
- Instructions manual procedures for storage and transport are strictly met.
- As a general rule and so long as the conditions of use mentioned above are respected, their life cycle may be longer than 10 years.

14. Withdrawal from service

When disposing of the product, all components must be recycled with preliminary sorting of components into metallic and synthetic materials. These materials must be recycled by specialist bodies. During disposal, dismantling to separate components should be achieved by a duly trained person.

Manufacturer's name and address:
Tractel SAS - RD 619 - BP 38
Saint Hilaire sous Romilly
10102 Romilly sur Seine
France

1. Consignes prioritaires

1. Les harnais HT/ET sont un élément du système d'arrêt des chutes, les harnais HT R sont un élément du système d'arrêt des chutes pouvant servir pour le sauvetage. Ils sont conformes à la/aux norme(s) EN 361/EN 1497, qui peuvent être couplés avec des ceintures CE, conformes à la norme EN 358. Ces deux types d'équipements ne peuvent être utilisés que par une seule personne, formée et/ou compétente ou par un opérateur sous la surveillance directe de telles personnes.
2. Avant d'utiliser un harnais HT/ET, il est indispensable pour la sécurité d'emploi du matériel et son efficacité que l'utilisateur lise et comprenne les informations dans la notice fournie par Tractel® SAS. Cette notice doit être conservée à disposition de tout utilisateur. Des exemplaires supplémentaires peuvent être fournis sur demande. Un premier essai de suspension est recommandé dans un endroit sûr, afin de s'assurer que le harnais est bien réglé et fournit un niveau de confort acceptable pour l'utilisation prévue.
3. Avant d'utiliser ce matériel de sécurité il est indispensable d'avoir reçu une formation à son emploi. Vérifiez l'état des équipements associés et assurez-vous que le tirant d'air est suffisant.
4. Si un harnais n'est pas en bon état apparent, il doit être vérifié par Tractel® SAS ou par un technicien habilité et compétent qui doit autoriser par écrit la réutilisation du système. Un contrôle visuel avant chaque utilisation est recommandé.
5. Toute modification ou adjonction à l'équipement ne peut se faire sans l'accord préalable écrit de Tractel® SAS. L'équipement doit être transporté et stocké dans son emballage d'origine.
6. Tout harnais n'ayant pas fait l'objet d'un examen périodique au cours des 12 derniers mois, ne doit pas être utilisé. Il ne pourra être utilisé de nouveau qu'après un nouvel examen périodique réalisé par un technicien habilité et compétent qui autorisera par écrit son utilisation. A défaut de ces examens et autorisation, le harnais sera réformé et détruit. S'il a arrêté une chute il doit être réformé et détruit.
7. La charge maximale d'utilisation est de 150 kg pour les harnais HT/ET et les ceintures de maintien au poste de travail CE.
8. Si la masse de l'utilisateur augmentée de la masse de son équipement et de son outillage est comprise entre 100 kg et 150 kg, il est impératif de s'assurer que cette masse totale (utilisateur + équipement + outillage) n'exécède pas la charge maximale d'utilisation de chacun des éléments constituant le système d'arrêt des chutes.
9. Cet équipement convient pour une utilisation sur chantier à l'air libre et pour une plage de température comprise entre -30°C et +60°C. Éviter tout contact avec des arêtes vives, des surfaces abrasives, des produits chimiques.
10. Important : si vous devez confier ce matériel à une personne salariée ou assimilée, conformez-vous à la réglementation du travail applicable.
11. L'opérateur doit être en pleine forme physique et psychologique lors de l'utilisation de cet équipement. En cas de doute, consulter son médecin ou le médecin du travail. Il est interdit aux femmes enceintes.
12. L'équipement ne doit pas être utilisé au delà de ses limites, ou dans toute autre situation que celle pour laquelle il est prévu : cf "4 - Fonctions et description".
13. Il est recommandé d'attribuer personnellement le harnais à chaque opérateur, notamment s'il s'agit de personnel salarié.

14. Avant l'utilisation d'un système d'arrêt des chutes NF EN 363, l'utilisateur doit s'assurer que chacun des composants est en bon état de fonctionnement : système de sécurité, verrouillage. Lors de la mise en place, il ne doit pas y avoir de dégradation des fonctions de sécurité.
15. Dans un système d'arrêt des chutes, il est essentiel de vérifier l'espace libre sous l'opérateur sur le lieu de travail avant chaque utilisation, de manière à ce qu'en cas de chute il n'y ait pas de risque de collision avec le sol ni présence d'un obstacle sur la trajectoire de la chute.

Figure 4.c, page 5.

- ▶ h1 doit être compris entre 0 m et 1.5 m.
- ▶ h2 doit être égale à 1 m minimum.
- ▶ t est le tirant d'air minimum sous les pieds de l'opérateur.

Il varie selon le type d'antichute connecté au harnais :

- Pour un blocfor™, t = 3 m minimum.
 - Pour un stopfor™, t = 4 m minimum.
 - Pour une longe avec absorbeur d'énergie, t = 6 m minimum.
 - Pour un stopcable™ (EN 353-1), t = 2 m minimum.
 - Pour un stopcable™ (EN 353-2), t = 4 m minimum.
16. Il est indispensable d'entretenir et de stocker le harnais conformément aux instructions de la notice, le non respect du paragraphe entretien et stockage peut influencer de manière très négative sur la durée de vie du harnais.
 17. Il est essentiel pour la sécurité de l'opérateur que le dispositif ou le point d'ancrage soit correctement positionné et que le travail soit effectué de manière à réduire au minimum le risque de chutes ainsi que sa hauteur.
 18. Pour la sécurité de l'opérateur, si le produit est revendu hors du premier pays de destination, le revendeur doit fournir : un mode d'emploi, des instructions pour l'entretien, pour les examens périodiques et les réparations, rédigés dans la langue du pays d'utilisation du produit.



NOTE

Pour toute application spéciale, n'hésitez pas à vous adresser à TRACTEL®.

2. Définitions et pictogrammes

2.1 Définitions

« **Utilisateur** » : Personne ou service responsable de la gestion et de la sécurité d'utilisation du produit décrit dans le manuel.

« **Technicien** » : Personne qualifiée, en charge des opérations de maintenance décrites et permises à l'utilisateur par le manuel, qui est compétente et familière avec le produit.

« **Opérateur** » : Personne opérant dans l'utilisation du produit conformément à la destination de celui-ci.

« **EPI** » : Équipements de protection individuelle contre les chutes de hauteur.

« **Connecteur** » : Élément de connexion entre composants d'un système d'arrêt des chutes. Il est conforme à la norme EN 362.

« **Harnais d'antichute** » : Dispositif de préhension du corps destiné à arrêter les chutes. Il est constitué de sangles et bouclier. Il comporte des points d'accrochage antichute marqués d'un **A** s'il peuvent être utilisés seuls, ou marqués d'un **A/2** s'ils doivent être utilisés en combinaison avec un autre point **A/2**. Il est conforme à la norme EN 361.



« **Charge maximale d'utilisation** » : Masse maximale de l'utilisateur habillé, équipé de ses EPI, de sa tenue de travail, de son outillage et des composants dont il a besoin pour faire son intervention.

« **Système d'arrêt des chutes** » : Ensemble composé des éléments suivants :

- Harnais d'antichute.
- Antichute à rappel automatique ou absorbeur d'énergie ou antichute mobile sur support d'assurage rigide ou antichute mobile sur support d'assurage flexible.
- Ancrage.
- Élément de liaison.

« **Élément du système d'arrêt des chutes** » : Terme générique définissant l'un des éléments suivants :

- Harnais d'antichute.
- Antichute à rappel automatique ou absorbeur d'énergie ou antichute mobile sur support d'assurage rigide ou antichute mobile sur support d'assurage flexible.
- Ancrage.
- Élément de liaison.

2.2. Pictogrammes



DANGER : Placé en début de ligne, désigne des instructions destinées à éviter des dommages aux personnes, notamment les blessures mortelles, graves ou légères, ainsi que les dommages à l'environnement.



IMPORTANT : Placé en début de ligne, désigne des instructions destinées à éviter une défaillance ou un dommage des équipements, mais ne mettant pas directement en danger la vie ou la santé de l'opérateur ou celles d'autres personnes, et/ou n'étant pas susceptible de causer de dommage à l'environnement.



NOTE : Placé en début de ligne, désigne des instructions destinées à assurer l'efficacité ou la commodité d'une installation, d'une utilisation ou d'une opération de maintenance.

3. Conditions d'utilisation

Vérification avant utilisation :

- Vérification visuelle de l'état du harnais, des sangles, des coutures, de la bouclerie. La sangle, les fils de couture ne doivent pas présenter de traces d'abrasion, d'effilochage, de brûlures, de coupure. Les éléments de réglage, la bouclerie ne doivent pas présenter de traces de corrosion, de déformation et doivent fonctionner correctement. En cas de doute, retirer immédiatement tout produit de la circulation.
- Vérifier l'état des composants associés harnais et connecteurs.
- Vérifier le système d'arrêt des chutes complet.

4. Fonction et description



IMPORTANT : Les harnais HT/ET sont destinés à créer un point d'accrochage sur l'opérateur afin de pouvoir l'équiper d'un système antichute qui va le protéger d'une chute lors de travaux en hauteur. Un harnais d'antichute est le seul dispositif de préhension du corps qu'il est permis d'utiliser dans un système d'arrêt des chutes.

Les ceintures CE sont des systèmes de maintien au poste de travail.



DANGER : Les ceintures CE ne doivent pas être utilisées pour la protection de chute de hauteur.

La charge maximale d'utilisation des harnais HT/ET et des ceintures de maintien au poste de travail CE est de 150 kg.

Il est impératif de s'assurer, avant utilisation, que tous les éléments du système d'arrêt des chutes sont compatibles avec cette charge en se référant à leurs notices respectives.

Si ce n'est pas le cas, la charge maximale sera celle de l'élément du système d'arrêt des chutes qui a la plus faible charge maximale d'utilisation.

En fonction du type de harnais, vous avez plusieurs utilisations possibles :

- Harnais avec point dorsal : sécurité antichute pour travail en hauteur
- Harnais avec point dorsal et sternal : idem harnais avec point dorsal + travail en retenue, sécurité lors d'ascension sur échelle, ...
- Harnais avec point ceinture : sécurité antichute selon le type et les points d'accrochage disponibles, point ceinture pour maintien au poste de travail. Dans un système de maintien au poste de travail, la longe doit être maintenue tendue et le déplacement libre doit être limité à 0,6 m maximum.
- Les harnais HT R sont des harnais similaires aux harnais HT mais équipés d'une longe de sauvetage supplémentaire cousue sur les bretelles. Cette longe permet à un sauveteur de réaliser l'évacuation dans de bonnes conditions. Les harnais possèdent une étiquette près du dé de la longe de sauvetage permettant l'accrochage, spécifiant que celle-ci ne doit être utilisée que pour le sauvetage.
- Les harnais Ladytrac™ sont destinés principalement aux femmes. Ils ont été spécialement conçus et brevetés en vue de s'adapter à la morphologie féminine. Ces harnais sont équipés d'une veste permettant de les revêtir facilement.
- Le harnais HT120 possède un point d'accrochage thoracique spécialement conçu et positionné pour se connecter à un antichute sur rail pour échelle. Le point d'accrochage thoracique à la particularité de se déplacer, lors d'une chute, par la déchirure d'une couture. Le principe est breveté. Il est spécialement positionné pour cette application, il permet de ne pas gêner l'opérateur lors de la montée ou de la descente.

Voir tableau des points d'accrochage en page 2.



DANGER

Ne pas utiliser comme point d'accrochage d'antichute les points d'accrochage latéraux de la ceinture, réservés pour travailler en maintien au poste (EN 358) en combinaison avec une longe de maintien (EN 358), ni le point d'accrochage de la longe de sauvetage (EN 1497) servant à l'évacuation uniquement.

Figure 4 (a, c, d), page 5.



DANGER : Ne pas utiliser les harnais pour d'autres applications que la protection contre les chutes de hauteur. L'utilisation des harnais dans le cadre d'une activité de loisir ou sportive est interdite.

5. Contre-indications d'emploi

Il est strictement interdit :

- d'installer ou d'utiliser un harnais HT/ET ou une ceinture de maintien au poste de travail CE sans y avoir été autorisé, formé et reconnu compétent ou à défaut, sans être sous la surveillance d'une personne autorisée, formée et reconnue compétente.
- d'utiliser un harnais HT/ET ou une ceinture de maintien au poste de travail CE si son marquage n'est pas lisible.
- d'installer ou d'utiliser un harnais HT/ET ou une ceinture de maintien au poste de travail CE n'ayant pas fait l'objet des vérifications préalables.
- d'utiliser un harnais HT/ET ou une ceinture de maintien au poste de travail CE qui n'a pas fait l'objet d'un examen périodique, depuis moins de 12 mois, par un technicien ayant autorisé sa réutilisation par écrit.
- d'utiliser un harnais HT/ET pour toute autre application que celle de protection contre les chutes de hauteur de personnes.
- d'utiliser une ceinture de maintien au poste de travail CE pour toute autre application que celle de maintien au poste de travail.
- de fixer un harnais HT/ET par tout autre moyen que son point d'accrochage marqué **A** ou **A/2**.
- d'utiliser un harnais HT/ET ou une ceinture de maintien au poste de travail CE en contradiction avec les informations définies dans le paragraphe "13. Durée de vie".
- d'utiliser un harnais HT/ET ou une ceinture de maintien au poste de travail CE par une personne dont la masse, équipement et outillage compris, est supérieure à 150 kg.
- d'utiliser un harnais HT/ET ou une ceinture de maintien au poste de travail CE à une charge comprise entre 100 kg et 150 kg (masse totale de l'utilisateur, de son équipement et de son outillage) si un élément du système d'arrêt des chutes a une charge maximale d'utilisation plus faible.
- d'utiliser un harnais HT/ET s'il a subi une chute de personne.
- d'utiliser un harnais HT/ET ou une ceinture de maintien au poste de travail CE hors de la plage de température spécifiée dans la présente notice.
- d'utiliser un harnais HT/ET si le tirant d'air n'est pas suffisant en cas de chute de la personne.
- d'utiliser un harnais HT/ET ou une ceinture de maintien au poste de travail CE si l'on n'est pas en pleine forme physique.
- d'utiliser un harnais HT/ET ou une ceinture de maintien au poste de travail CE si l'on est une femme enceinte.
- d'utiliser un harnais HT/ET ou une ceinture de maintien au poste de travail CE si la fonction de sécurité de l'un des articles associé est affectée par la fonction de sécurité d'un autre article où interfère avec celle-ci.
- d'amarrer un harnais HT/ET ou une ceinture de maintien au poste de travail CE par l'intermédiaire d'un système antichute à un point d'ancrage structurel dont la résistance est inférieure à 12 kN ou supposée comme telle.
- de procéder à des opérations de réparations ou de maintenance d'un harnais HT/ET ou une ceinture de maintien au poste de travail CE.
- d'utiliser un harnais HT/ET ou une ceinture de maintien au poste de travail CE s'il n'est pas complet, s'il a été démonté au préalable ou si des composants ont été remplacés.

6. Installation

Figure 3, page 5.

Assembler toutes les boucles de réglage du harnais quand l'opérateur est vêtu.

Ajuster les longueurs des différentes sangles : ni trop, ni trop peu serrées afin d'obtenir un confort maximum lors de l'utilisation ainsi qu'une protection antichute optimum. C'est à cette condition que le harnais protégera efficacement.

- Dans la mesure du possible, le point d'ancrage structurel sera situé à une hauteur comprise entre 1.5 et 2 mètres au-dessus des pieds de l'opérateur. Le point d'ancrage structurel doit présenter une résistance minimale de 12 kN.
- La connexion au point d'ancrage ou à la structure doit se faire à l'aide d'un connecteur EN 362.
- Pour la connexion du système d'antichute au harnais d'antichute, se référer aux notices du harnais et du système d'antichute afin d'utiliser le bon point d'accrochage ainsi que la bonne méthode pour s'y attacher.



DANGER

Avant et pendant l'utilisation, vous devez envisager la façon dont le sauvetage éventuel pourrait être assuré de manière efficace et en toute sécurité dans un délai inférieur à 15 minutes. Au-delà de ce délai, l'opérateur est en danger.

7. Composants et matériaux

Figure 1, page 3 : Harnais - EN 361 - EN 358 - EN 1497

- a. Bretelle en PES.
 - b. Plaque dorsale en PE.
 - c. Passant élastomère.
 - d. Boucle de réglage en acier.
 - e. Accrochage latéral en acier (point antichute, cf. figure 1, page 3).
 - f. Accrochage sternal en acier ou PES (point antichute, cf. figure 1, page 3).
 - g. Accrochage dorsal en acier (point antichute, cf. figure 1, page 3).
 - h. Sous-fessière en PES.
 - i. Boucle thoracique en PP.
 - j. Etiquette de marquage.
 - k. Marquage "A", des points d'accrochage, sur le D ou la sangle.
 - l. Accrochage latéral en acier (point de maintien, cf. figure 1, page 3).
 - m. Dossieret en mousse PE et tissu.
 - n. Etiquette de marquage.
 - o. Anneau de service en POM.
 - p. Boucle de réglage en acier.
 - q. Passant élastomère.
 - r. Sangle de sauvetage.
 - s. Etiquette longue de sauvetage.
 - t. Dé d'accrochage pour sauvetage.
 - u. Accrochage central ceinture.
- Sangle + fils de couture : polyester.
 - Bouclerie en acier zingué et aluminium.
 - Dossieret mousse recouvert de cordura.
 - Plaque dorsale, passants : polyéthylène, élastomère thermo-plastique.

8. Equipements associés

Système d'arrêt des chutes (EN 363)

- Un ancrage (EN 795).
- Un connecteur d'extrémité (EN 362).
- Un système d'antichute (EN 353 - 1/2-EN 355 - EN 360).
- Un connecteur (EN 362).
- Un harnais d'antichute (EN 361).

Avant l'utilisation d'un système d'arrêt des chutes EN 363, vérifier que chacun des équipements est utilisable et fonctionne correctement.

9. Entretien et stockage

- Si un harnais est sale, il faut le laver à l'eau claire et froide avec éventuellement une lessive pour textiles délicats, utiliser une brosse synthétique.
- Si au cours de l'utilisation ou du lavage un harnais a été mouillé, il faut le laisser sécher naturellement à l'ombre et à l'écart de toute source de chaleur.
Cf. figure 5, page 5.
- Pendant le transport et le stockage, protéger l'équipement contre tout danger (bord tranchant, source de chaleur directe, produits chimiques, UV, ...).

10. Conformité de l'équipement

La société TRACTEL® S.A.S. RD 619 - Saint-Hilaire-sous-Romilly - F - 10102 Romilly-sur-Seine - France, déclare, par la présente, que l'équipement de sécurité décrit dans cette notice,

- est conforme aux dispositions du règlement UE 2016/425 du parlement européen de mars 2016,
- est identique à l'EPI ayant fait l'objet de l'examen UE de type délivré par l'APAVE SUDEUROPE SAS - CS 60193 - 13322 Marseille - France, identifié par le numéro 0082, et testé selon les normes EN 361 de 2002, EN 358 de 2018,
- est soumis à la procédure visée par l'annexe VIII du règlement UE 2016/425 du parlement européen, module D, sous le contrôle d'un organisme notifié : APAVE SUDEUROPE SAS - CS 60193 - 13322 Marseille - France, identifié par le numéro 0082.

11. Marquage

L'étiquette de chacun des harnais HT/ET et ceintures CE indique :

- a. La marque commerciale : Tractel®.
- b. La désignation du produit,
- c. La norme de référence suivi de l'année d'application,
- d. La référence du produit,
- e. Le logo CE suivi du numéro 0082, numéro d'identification de l'organisme notifié chargé du contrôle de production,
- f. Année et mois de fabrication,
- g. Le numéro de série,
- h. Un pictogramme indiquant qu'il faut lire la notice avant l'utilisation,
- w. Charge maximale d'utilisation.

Pour les harnais HT R, ils possèdent en plus une étiquette se trouvant près du dé d'accrochage de la longe de sauvetage comprenant :

- i. La marque commerciale,
- j. La norme de référence suivi de l'année d'application,
- k. Le pictogramme indiquant qu'il faut lire la notice d'emploi avant l'utilisation, un texte indiquant : pour sauvetage uniquement.

12. Examen périodique

Un examen périodique annuel est obligatoire, mais en fonction de la fréquence d'utilisation, des conditions environnementales et de la réglementation de l'entreprise ou du pays d'utilisation, les examens périodiques peuvent être plus fréquents.

Les examens périodiques doivent être effectués par un technicien habilité et compétent et dans le respect des modes opératoires d'examen du fabricant retranscrits dans le fichier "Instructions de vérification des EPI Tractel®".

La vérification de la lisibilité du marquage sur le produit fait partie intégrante de l'examen périodique.

A l'issue de l'examen périodique, la remise en service doit être signifiée par écrit par le technicien habilité et compétent qui a effectué l'examen périodique. Cette remise en service du produit doit être enregistrée sur la feuille de contrôle qui se trouve au milieu de la présente notice. Cette feuille de contrôle doit être conservée pendant toute la durée de vie du produit, jusqu'à sa réforme.

Après avoir arrêté une chute, le présent produit textile doit être obligatoirement réformé et détruit, même s'il ne présente aucune altération visible.

13. Durée de vie

Les EPI textiles Tractel® comme les harnais, longes, cordes et absorbeurs, les EPI mécaniques Tractel® comme les antichutes stopcable™ et stopfor™, les antichutes à rappel automatique blocfor™ et les lignes de vie Tractel® sont utilisables sous réserve qu'à compter de leur date de fabrication ils fassent l'objet :

- d'une utilisation normale dans le respect des préconisations d'utilisation de la présente notice.
- d'un examen périodique qui doit être réalisé au minimum 1 fois par an par un technicien habilité et compétent. A l'issue de cet examen périodique, l'EPI doit être déclaré par écrit apte à sa remise en service.
- du strict respect des conditions de stockage et de transport mentionnées dans la présente notice.
- En règle générale et sous réserve d'applications des conditions d'utilisation citées ci-dessus, leur durée de vie peut excéder 10 ans.

14. Mise au rebut

Lors de la mise au rebut du produit, il est obligatoire de recycler les différents composants par un tri des matières métalliques et par un tri des matériaux synthétiques. Ces matériaux doivent être recyclés auprès d'organismes spécialisés. Lors de la mise au rebut, le démontage, pour la séparation des constituants, doit être réalisé par une personne compétente.

Nom et adresse du fabricant:
Tractel SAS - RD 619 - BP 38
Saint Hilaire sous Romilly
10102 Romilly sur Seine

1. Wichtige Betriebsvorschriften

1. Die Auffanggurte der Serie HT/ET sind ein Element des Auffangsystems, die Auffanggurte HT R sind ein Element des Auffangsystems, das zur Rettung benutzt werden kann. Sie erfüllen die Norm(en) EN 361/EN1497 und können mit CE-Haltegurten gemäß der Norm EN 358 verbunden werden. Diese beiden Ausrüstungstypen dürfen nur von einer einzigen Person benutzt werden, die geschult und/oder sachkundig ist, oder von einem Bediener unter der direkten Überwachung solcher Personen.
2. Vor der Benutzung des Auffanggurts HT/ET muss der Benutzer zur Gewährleistung der Betriebssicherheit und einer optimalen Effizienz der Ausrüstung die Anleitung von Tractel® lesen und die darin enthaltenen Informationen verstehen. Die Anleitung muss allen Benutzern zur Verfügung gestellt werden. Zusätzliche Exemplare sind auf Anfrage erhältlich. Ein erster Hängetest sollte an einem sicheren Ort durchgeführt werden, um zu gewährleisten, dass der Auffanggurt richtig eingestellt und für die vorgesehenen Arbeiten komfortabel ist.
3. Vor der Benutzung dieser Schutzausrüstung muss eine Schulung hinsichtlich des Einsatzes der Ausrüstung erfolgen. Prüfen Sie den Zustand der zugehörigen Ausrüstungen und stellen Sie sicher, dass ein ausreichender Freiraum zur Aufprallfläche vorhanden ist.
4. Wenn ein Auffanggurt sichtbar nicht in einwandfreiem Zustand ist, muss er von der Tractel® SAS oder einem zugelassenen sachkundigen Techniker geprüft werden, der die Wiederinbetriebnahme des Systems schriftlich genehmigen muss. Vor jeder Benutzung ist eine Sichtkontrolle empfehlenswert.
5. Jede Änderung oder Ergänzung der Ausrüstung kann nur mit vorheriger schriftlicher Genehmigung der Greifzug GmbH erfolgen. Die Ausrüstung sollte immer in der Originalverpackung transportiert und gelagert werden.
6. Niemals einen Auffanggurt verwenden, dessen letzte regelmäßige Prüfung länger als 12 Monate zurückliegt. Er kann erst wieder nach einer erneuten regelmäßigen Prüfung durch einen zugelassenen sachkundigen Techniker benutzt werden, der die Benutzung schriftlich genehmigt. Ohne diese Prüfung und Genehmigung muss der Auffanggurt ausgemustert und vernichtet werden. Wenn er einen Absturz aufgefangen hat, muss er ausgemustert und vernichtet werden.
7. Die maximale Tragfähigkeit beträgt 150 kg für die Auffanggurte HT/ET und die Haltegurte CE.
8. Wenn das Gewicht des Benutzers zuzüglich des Gewichts seiner Ausrüstung und seines Werkzeugs zwischen 100 kg und 150 kg liegt, muss unbedingt sichergestellt werden, dass das Gesamtgewicht (Benutzer + Ausrüstung + Werkzeug) die maximale Tragfähigkeit der einzelnen Elemente nicht überschreitet, aus denen das Auffangsystem besteht.
9. Die Verbindungsmittel sind für einen Betrieb auf der Baustelle, im Freien und für einen Temperaturbereich von -30 °C bis +60°C geeignet. Jeden Kontakt mit scharfen Kanten, schweren Flächen oder Chemikalien vermeiden.
10. Wichtig: Wenn Sie diese Ausrüstung einer angestellten oder gleichgestellten Person anvertrauen müssen, müssen Sie die geltenden Arbeitsschutzbestimmungen einhalten.
11. Der Bediener muss beim Betrieb dieser Ausrüstung in ausgezeichnetem körperlicher und psychischer Verfassung sein. Im Zweifelsfall den Hausarzt bzw. Arbeitsarzt konsultieren. Sie darf nicht von schwangeren Frauen benutzt werden.
12. Die Ausrüstung darf niemals über ihre Grenzen hinaus oder in Situationen benutzt werden, für die sie nicht vorgesehen ist: siehe "4. Funktionsweise und Beschreibung".

13. Der Auffanggurt sollte jedem Bediener persönlich zugewiesen werden, insbesondere wenn es sich um angestellte Personen handelt.
14. Vor der Benutzung eines Auffangsystems nach EN 363 muss der Benutzer sicherstellen, dass alle Bestandteile in einwandfreiem Betriebszustand sind: Sicherheitssystem, Verriegelung. Beim Anschlagen und bei der Benutzung dürfen die Sicherheitsfunktionen nicht beeinträchtigt werden.

15. In einem Auffangsystem ist es von entscheidender Bedeutung, vor jeder Benutzung den Freiraum zur Aufprallfläche unter dem Arbeitsplatz des Bedieners zu prüfen, so dass er beim Absturz weder auf den Boden prallen noch auf Hindernisse stoßen kann.

Abbildung 4.c, Seite 5.

h1 muss zwischen 0 m und 1.5 m betragen.

h2 muss mindestens 1 m betragen.

t ist der minimale Freiraum zur Aufprallfläche unter den Füßen des Bedieners.

Er ist abhängig von den Einsatzbedingungen und dem am Auffanggurt angeschlagenem Auffangsystem:

- Bei einem blocfor™, t = min. 3 m.
- Bei einem stopfor™, t = min. 4 m.
- Bei einem Verbindungsmittel mit Falldämpfer, t = min. 6 m.
- Bei einem stopcable™ (EN 353-1), t = min. 2 m.
- Bei einem stopcable™ (EN 353-2), t = min. 4 m.

16. Der Auffanggurt muss unbedingt gemäß den Anweisungen dieser Anleitung gewartet und gelagert werden, die Missachtung des Abschnitts Wartung und Lagerung kann einen sehr negativen Einfluss auf die Lebensdauer des Auffanggurts haben.
17. Für die Sicherheit des Bedieners ist entscheidend, dass der Anschlagpunkt und das Auffangsystem richtig platziert und die Arbeiten so durchgeführt werden, dass die Absturzgefahr und die Absturzhöhe auf ein Minimum reduziert werden.
18. Wenn das Produkt in ein anderssprachiges Land weiterverkauft wird, muss der Händler zur Gewährleistung der Sicherheit des Bedieners Folgendes mitliefern: die Gebrauchsanleitung und die Anleitungen für die Wartung, regelmäßige Prüfungen und Reparatur in der Landessprache des Einsatzortes.



HINWEIS

Für alle Sonderanwendungen wenden Sie sich bitte an das TRACTEL®-Netz.

2. Definitionen und Piktogramme

2.1 Definitionen

„**Benutzer**“: Person oder Abteilung, die für die Verwaltung und Betriebssicherheit des in dieser Anleitung beschriebenen Produkts verantwortlich ist.

„**Techniker**“: Qualifizierte Person, die für die in dieser Anleitung beschriebenen und dem Benutzer erlaubten Wartungsarbeiten zuständig ist, und die sachkundig und mit dem Produkt vertraut ist.

„**Bediener**“: Person, die mit der Benutzung des Produkts beauftragt ist, für die es vorgesehen ist.

„**PSA**“: Persönliche Schutzausrüstungen gegen Absturz.

„**Verbindungselement**“: Verbindungselement zur Verbindung von Bestandteilen eines Auffangsystems. Entspricht der Norm EN 362.

„**Auffanggurt**“: Sicherheitsgeschirr zum Auffangen von Abstürzen. Es besteht aus Gurten und Befestigungselementen. Es enthält Auffangösen mit der Kennzeichnung **A**, wenn sie allein benutzt werden können, oder mit der Kennzeichnung **A/2**, wenn sie gemeinsam mit einer anderen Öse **A/2** benutzt werden müssen. Entspricht der Norm EN 361.

„**Tragfähigkeit**“: Maximales Gewicht des bekleideten Benutzers, ausgestattet mit PSA, Arbeitskleidung, Werkzeug und zur Durchführung der Arbeiten erforderlichen Elementen.

„**Auffangsystem**“: Aus folgenden Elementen bestehende Einheit:

- Auffanggurt.
- Höhensicherungsgerät mit automatischer Aufwicklung oder Falldämpfer oder mitlaufendes Auffanggerät an fester Führung oder mitlaufendes Auffanggerät an beweglicher Führung.
- Anschlageinrichtung.
- Verbindungselement.

„**Element des Auffangsystems**“: Allgemeiner Ausdruck zur Bezeichnung eines der folgenden Elemente:

- Auffanggurt.
- Höhensicherungsgerät mit automatischer Aufwicklung oder Falldämpfer oder mitlaufendes Auffanggerät an fester Führung oder mitlaufendes Auffanggerät an beweglicher Führung.
- Anschlageinrichtung.
- Verbindungselement.

2.2. Piktogramme



GEFAHR: Am Zeilenanfang befindliche Kennzeichnung der Anweisungen zur Vermeidung von Personenschäden wie tödlichen, schweren oder leichten Verletzungen, sowie zur Vermeidung von Umweltschäden.



WICHTIG: Am Zeilenanfang befindliche Kennzeichnung der Anweisungen zur Vermeidung einer Störung oder Beschädigung der Ausrüstungen, die jedoch keine direkte Gefahr für das Leben und die Gesundheit des Bedieners oder anderer Personen darstellen und/oder keinen Umweltschaden verursachen.



HINWEIS: Am Zeilenanfang befindliche Kennzeichnung der Anweisungen zur Gewährleistung einer effizienten und zweckmäßigen Installation, Benutzung und Wartung.

3. Benutzungsbedingungen

Prüfung vor der Benutzung:

- Sichtprüfung des Zustands des Auffanggurts, der Gurtbänder, der Nähte und der Verschlüsse. Das Gurtband und das Nähgarn dürfen keine Spuren von Abrieb, Ausfaserung, Verbrennung oder Einschnitten aufweisen. Die Verstelllemente und Verschlüsse dürfen keine Korrosionsspuren oder Verformungen aufweisen und müssen einwandfrei funktionieren. Im Zweifelsfall muss das betroffene Produkt sofort ausgemustert werden.
- Den Zustand der mitverwendeten Ausrüstung (Auffanggurt und Verbindungselemente) prüfen.
- Das gesamte Auffangsystem prüfen.

4. Funktionsweise und Beschreibung



WICHTIG: Die Auffanggurte HT/ET dienen der Anbringung einer Auffangöse am Bediener, um ihn in einem Auffangsystem anschlagen zu können, das ihn gegen Absturz bei Arbeiten in der Höhe schützt. Ein Auffanggurt ist das einzige Sicherheitsgeschirr, das mit einem Auffangsystem verbunden werden darf.

Die Gurte CE sind Arbeitsplatzpositionierungssysteme.



GEFAHR: Die Gurte CE dürfen nicht zum Schutz gegen Absturz verwendet werden.

Die maximale Tragfähigkeit der Auffanggurte HT/ET und der Haltegurte CE beträgt 150 kg.

Vor der Benutzung muss unbedingt sichergestellt werden, dass alle Elemente des Auffangsystems gemäß den jeweiligen Anleitungen für diese Tragfähigkeit geeignet sind.

Anderenfalls entspricht die maximale Tragfähigkeit dem Element des Auffangsystems mit der geringsten Tragfähigkeit.

Je nach Auffanggurtyp gibt es unterschiedliche Einsatzmöglichkeiten:

- Auffanggurt mit Rückenfangöse: Absturzsicherung für Arbeiten in der Höhe,
- Auffanggurt mit Rücken- und Brustfangöse: identisch mit Auffanggurt mit Rückenfangöse + Arbeitsplatzpositionierung, Sicherung beim Besteigen von Leitern, usw.,
- Auffanggurt mit Halteösen am Haltegurt: Absturzsicherung je nach Typ und vorhandenen Auffangösen, Halteösen zur Arbeitsplatzpositionierung. In einem Arbeitsplatzpositionierungssystem muss das Halteseil gespannt gehalten und die Bewegungsfreiheit auf maximal 0,6 m begrenzt werden.
- Die Auffanggurte HT R sind mit den Auffanggurten HT identisch, jedoch mit einem zusätzlichen Rettungs-Verbindungsmittel ausgestattet, das an den Schultergurten fest vernäht ist. Dieses Verbindungsmittel ermöglicht eine Rettung unter optimalen Bedingungen. Die Auffanggurte sind mit einem Etikett nahe der Anschlagöse (D-Ring) des Rettungs-Verbindungsmittels ausgestattet, das darauf hinweist, dass die Öse ausschließlich zur Rettungszwecken verwendet werden darf.
- Die Auffanggurte Ladytrac™ sind hauptsächlich für Frauen bestimmt. Sie wurden speziell im Hinblick auf die weibliche Morphologie konstruiert und patentiert. Die Auffanggurte sind mit einer Weste ausgestattet, die ein einfaches Anlegen ermöglicht.
- Der Auffanggurt HT120 besitzt eine Auffangöse seitlich im Brustbereich, die speziell zur Befestigung an Steigschutzschienen für Leitern entwickelt und platziert wurde. Die Auffangöse seitlich im Brustbereich ist dadurch gekennzeichnet, dass sie sich bei einem Absturz durch das Zerreißen einer Naht bewegt. Dieses Prinzip ist patentiert. Die Auffangöse wurde speziell für diese Anwendung platziert und sorgt dafür, dass der Bediener beim Auf- und Abstieg nicht behindert wird.

Siehe Tabelle der Auffangösen auf Seite 2.



GEFAHR

Die seitlichen Halteösen des Haltegurts nicht als Auffangösen benutzen. Sie sind lediglich für Haltefunktionen und zur Arbeitsplatzpositionierung (EN 358) in Verbindung mit einem Halteseil (EN 358) vorgesehen. Dies gilt auch für die Rettungs-Anschlagöse des Rettungs-Verbindungsmittels (EN 1497), das ausschließlich der Rettung dient.

Abbildung 4 (a, c, d), Seite 5.



GEFAHR: Die Auffanggurte nicht für andere Anwendungen als den Schutz gegen Absturz aus der Höhe benutzen. Die Benutzung des Auffanggurts im Rahmen einer Freizeit- oder Sportaktivität ist verboten.

5. Anwendungsverbote

Folgendes ist streng verboten:

- Installation oder Benutzung eines Auffanggurts HT/ET oder Haltegurts CE ohne die entsprechende Befugnis, Schulung und anerkannte Sachkenntnis bzw. ohne unter der Verantwortung einer befugten, geschulten und als sachkundig anerkannten Person zu stehen.
- Benutzung eines Auffanggurts HT/ET oder Haltegurts CE, wenn die Kennzeichnung nicht lesbar ist.
- Installation oder Benutzung eines Auffanggurts HT/ET oder Haltegurts CE, der nicht den vorherigen Prüfungen unterzogen wurde.
- Benutzung eines Auffanggurts HT/ET oder Haltegurts CE, der in den vergangenen 12 Monaten nicht der regelmäßigen Prüfung durch einen Techniker unterzogen wurde, der die erneute Benutzung schriftlich genehmigt hat.
- Benutzung eines Auffanggurts HT/ET für andere Anwendungen als den Schutz von Personen gegen Absturz aus der Höhe.
- Benutzung eines Haltegurts CE für andere Anwendungen als die Arbeitsplatzpositionierung.
- Befestigung eines Auffanggurts HT/ET mit anderen Mitteln als seiner mit **A** oder **A/2** gekennzeichneten Auffangöse.
- Benutzung eines Auffanggurts HT/ET oder Haltegurts CE unter Missachtung der Angaben von Abschnitt "13. Lebensdauer".
- Benutzung eines Auffanggurts HT/ET oder Haltegurts CE durch eine Person mit einem Gewicht einschließlich Ausrüstung und Werkzeug von über 150 kg.
- Benutzung eines Auffanggurts HT/ET oder Haltegurts CE mit einer Last zwischen 100 kg und 150 kg (Gesamtgewicht des Benutzers mit Ausrüstung und Werkzeug), wenn ein Element des Auffangsystems eine geringere Tragfähigkeit hat.
- Benutzung eines Auffanggurts HT/ET, der einen Absturz aufgefangen hat.
- Benutzung eines Auffanggurts HT/ET oder Haltegurts CE außerhalb des in dieser Anleitung angegebenen Temperaturbereichs.
- Benutzung eines Auffanggurts HT/ET, wenn der Freiraum zur Aufprallfläche beim Absturz der Person zu klein ist.
- Benutzung eines Auffanggurts HT/ET oder Haltegurts CE, ohne in ausgezeichneter körperlicher Verfassung zu sein.
- Benutzung eines Auffanggurts HT/ET oder Haltegurts CE durch eine schwangere Frau.
- Benutzung eines Auffanggurts HT/ET oder Haltegurts CE, wenn die Sicherheitsfunktion eines der verbundenen Elemente durch die Sicherheitsfunktion eines anderen Elements beeinträchtigt wird oder diese beeinträchtigt.
- Anschlagen eines Auffanggurts HT/ET oder Haltegurts CE mit Hilfe eines Auffangsystems an einem Anschlagpunkt mit einer Tragfähigkeit von weniger als 12 kN oder einer nicht genau bekannten Tragfähigkeit.
- Durchführung der Reparatur oder Wartung eines Auffanggurts HT/ET oder Haltegurts CE.
- Benutzung eines Auffanggurts HT/ET oder Haltegurts CE, wenn er unvollständig ist, wenn er vorher demontiert wurde oder wenn Bauteile ersetzt wurden

6. Anschlagen

Abbildung 3, Seite 5.

Alle verstellbaren Verschlüsse des Auffanggurts schließen, nachdem der Bediener den Gurt angelegt hat.

Die Länge der einzelnen Gurte einstellen: weder zu eng, noch zu locker, um einen maximalen Tragekomfort und einen optimalen Schutz gegen Absturz zu erzielen. Nur auf diese Weise bietet der Auffanggurt einen wirksamen Schutz.

- Soweit möglich sollte sich der Anschlagpunkt an der Tragstruktur in einer Höhe zwischen 1,5 und 2 Metern über den Füßen des Bedieners befinden. Der Anschlagpunkt an der Tragstruktur muss eine minimale Tragfähigkeit von 12 kN aufweisen.
- Das Anschlagen am Anschlagpunkt oder an der Struktur muss mit Hilfe eines Verbindungselements nach EN 362 erfolgen.
- Zum Anschlagen des Auffangsystems am Auffanggurt die richtige Auffangöse und die korrekte Art des Anschlagens den Anleitungen des Auffanggurts und des Auffangsystems entnehmen.



GEFAHR

Vor und während des Betriebs müssen Sie sich überlegen, wie die eventuelle Rettung effizient und sicher innerhalb von 15 Minuten erfolgen kann. Über diesen Zeitraum hinaus besteht für den Bediener Gefahr.

7. Bestandteile und Materialien

Abbildung 1, Seite 3: Auffanggurt - EN 361 - EN 358 - EN 1497

- a. Schultergurt aus PES.
 - b. Rückenplatte aus PE.
 - c. Elastomer-Öse.
 - d. Einstellverschluss aus Stahl.
 - e. Seitliche Fangöse aus Stahl (Auffangöse, siehe Abbildung 1, Seite 3).
 - f. Brustfangöse aus Stahl oder PES (Auffangöse, siehe Abbildung 1, Seite 3).
 - g. Rückenfangöse aus Stahl (Auffangöse, siehe Abbildung 1, Seite 3).
 - h. Sitzgurt aus PES.
 - i. Brustgurtverschluss aus PP.
 - j. Kennzeichnungsetikett.
 - k. Kennzeichnung "A" der Auffangösen auf dem D-Ring oder dem Gurt.
 - l. Seitliche Halteöse aus Stahl (Haltepunkt, siehe Abbildung 1, Seite 3)
 - m. Rückenpolster aus PE-Schaumstoff und Gewebe.
 - n. Kennzeichnungsetikett.
 - o. Befestigungsring für Werkzeug aus POM.
 - p. Einstellverschluss aus Stahl.
 - q. Elastomer-Öse.
 - r. Rettungsgurtband.
 - s. Etikett des Rettungs-Verbindungsmittele.
 - t. Rettungs-Anschlagöse (D-Ring).
 - u. Zentrale Halteöse des Haltegurts.
- Gurtband + Nähgarn: Polyester,
 - Verschlüsse aus verzinktem Stahl und Aluminium,

- Rückenpolster Schaumstoff in Cordurahülle,
- Rückenplatte, Schlaufen: Polyethylen, thermoplastisches Elastomer.

8. Zugehörige Ausrüstungen

Auffangsystem (EN 363):

- EN 795 Anschlageinrichtung.
- Ein Verbindungselement (EN 362).
- Ein Auffangsystem (EN 353-1/2 - EN 355 - EN 360).
- Ein Verbindungselement (EN 362).
- Ein Auffanggurt (EN 361).

Vor der Benutzung eines Auffangsystems nach EN 363 sicherstellen, dass alle Ausrüstungen benutzbar sind und einwandfrei funktionieren.

9. Wartung und Lagerung

- Wenn der Auffanggurt schmutzig ist, muss er mit klarem, kaltem Wasser gewaschen werden, dem gegebenenfalls Feinwaschmittel hinzuzufügen ist. Eine Kunststoffbürste benutzen.
- Wenn der Auffanggurt beim Einsatz oder bei der Reinigung feucht geworden ist, muss er im Schatten und fern von Wärmequellen auf natürliche Weise getrocknet werden.

Siehe Abbildung 5, Seite 5.

- Die Ausrüstung bei Transport und Lagerung vor allen Gefahren schützen (scharfe Kanten, direkte Wärmequellen, Chemikalien UV-Strahlen, usw.).

10. Konformität der Ausrüstung

Die Firma Tractel SAS RD 619 - Saint-Hilaire-sous-Romilly - F-10102 Romilly-sur-Seine - France, erklärt hiermit, dass die in dieser Anleitung beschriebene Schutzausrüstung:

- der EU-Richtlinie 2016/425 des Europäischen Parlaments vom März 2016 entspricht.
- mit der PSA identisch ist, die die EU-Baumusterbescheinigung von APAVE SUDEUROPE SAS - CS 60193 - 13322 Marseille - France, mit der Kennnummer 0082 erhalten hat und gemäß den Normen EN 361 aus dem Jahr 2002, EN 358 aus dem Jahr 2018 geprüft wurde,
- gemäß dem von Anhang XIII der EU-Richtlinie 2016/425 des Europäischen Parlaments, Modul D vorgeschriebenen Verfahren der Kontrolle einer gemeldeten Stelle unterliegt: APAVE SUDEUROPE SAS - CS 60193 - 13322 Marseille - France, Kennnummer 0082.

11. Produktkennzeichnung

Das Etikett jedes Auffanggurtes HT/ET und CE-Haltegurtes enthält folgende Angaben:

- die Handelsmarke: Tractel®,
- die Produktbezeichnung,
- die Bezugsnorm gefolgt vom Anwendungsjahr,
- die Produktreferenz,
- das CE-Logo gefolgt von der Kennnummer der gemeldeten Stelle zur Produktionsüberwachung 0082,
- Herstellungsjahr und -monat,
- die Seriennummer,
- ein Piktogramm, das anzeigt, dass vor dem Betrieb die Anleitung gelesen werden muss,
- Tragfähigkeit.

Die Auffanggurte HT R besitzen darüber hinaus ein Etikett nahe der Anschlagöse (D-Ring) des Rettungs-Verbindungsmittels mit folgenden Angaben:

- die Handelsmarke,
- die EN-Norm gefolgt von der Jahreszahl der Ausgabe,
- ein Piktogramm, das anzeigt, dass vor der Benutzung die Gebrauchsanleitung gelesen werden muss.

12. Regelmäßige Prüfung

Eine regelmäßige jährliche Prüfung ist obligatorisch, aber je nach Benutzungshäufigkeit, Umweltbedingungen und Vorschriften des Unternehmens oder Einsatzlandes können die regelmäßigen Prüfungen häufiger notwendig sein.

Die regelmäßigen Prüfungen müssen von einem befugten Fachtechniker gemäß den Prüfverfahren des Herstellers durchgeführt werden, die sich in der Datei "PSA-Prüfungsanleitung von Tractel®" finden.

Die Prüfung der Lesbarkeit der Kennzeichnung auf dem Produkt ist fester Bestandteil der regelmäßigen Prüfung.

Nach Abschluss der regelmäßigen Prüfung muss die Wiederinbetriebnahme durch den befugten Fachtechniker, der die regelmäßige Prüfung durchgeführt hat, schriftlich mitgeteilt werden. Diese Wiederinbetriebnahme des Produkts muss auf der Kontrollkarte in der Mitte dieser Anleitung festgehalten werden. Diese Kontrollkarte muss während der gesamten Lebensdauer des Produkts bis zu seiner Außerbetriebnahme aufbewahrt werden.

Nachdem es einen Absturz aufgefangen hat, muss dieses Textilprodukt obligatorisch ausgemustert und zerstört werden, selbst wenn es keine sichtbare Beschädigung aufweist.

13. Lebensdauer

Die textilen PSA von Tractel® wie Auffanggurte, Verbindungsmittel, Seile und Falldämpfer, die mechanischen PSA von Tractel® wie stopcable™-Steigschutzeinrichtungen und stopfor™-Auffanggeräte und die automatischen blocfor™-Höhensicherungsgeräte und die Laufsicherungen von Tractel® dürfen nur benutzt werden, wenn ab dem Herstellungsdatum Folgendes gewährleistet wird:

- normale Einhaltung unter Einhaltung der Benutzungsvorschriften dieser Anleitung,
- regelmäßige Prüfung wenigstens 1 Mal jährlich durch einen befugten Fachtechniker. Nach Abschluss der regelmäßigen Prüfung muss die Wiederinbetriebnahme der PSA schriftlich genehmigt werden,
- strenge Einhaltung der in dieser Anleitung aufgeführten Lager- und Transportbedingungen.
- Solange die oben aufgeführten Nutzungsbedingungen eingehalten werden, ist eine Lebensdauer von mehr als 10 Jahren zutreffend.

14. Ausmusterung

Bei der Ausmusterung des Produkts müssen die einzelnen Bauteile durch Trennung der metallischen und synthetischen Werkstoffe recycelt werden. Diese Werkstoffe müssen von einem Fachunternehmen recycelt werden. Bei der Ausmusterung muss die Demontage der Bauteile von einer sachkundigen Person durchgeführt werden.

Name und Anschrift des Herstellers:

Tractel SAS - RD 619 - BP 38
Saint Hilaire sous Romilly
10102 Romilly sur Seine

1. Belangrijke eigenschappen

1. De HT/ET harnassen bezitten een element van het valstopsysteem, de harnassen HT R bezitten een element van het valstopsysteem dat bij reddingswerkzaamheden kan worden gebruikt. Ze zijn conform de norm(en) EN 361 / EN 1497, die aan CE-positioneringsgordels gekoppeld kunnen worden, conform de norm EN 358. Deze twee uitrustingstypes mogen slecht door één enkele persoon gebruikt worden die daarvoor opgeleid en/of bevoegd is of door een operator die onder rechtstreeks toezicht van die persoon staat.
2. Vóór elk gebruik van een HT/ET-harnas is het absoluut noodzakelijk voor de gebruiksveiligheid en de doeltreffendheid van het materiaal dat de gebruiker de in de door Tractel® SAS. Deze gebruiksaanwijzing dient samen met elk systeem of samenstellend onderdeel geleverd en bewaard te worden en dient ter beschikking van elke gebruiker te worden opgeborgen. Men dient eerst een test op een veilige plaats uit te voeren om de ophanging te controleren en te verzekeren dat het harnas goed afgesteld is en een voldoende comfort verstrekt voor het gebruik waarvoor het bestemd is.
3. Alvorens dit veiligheidsmateriaal te gebruiken, is het noodzakelijk eerst een aangepaste opleiding aangaande het gebruik ervan gevolgd te hebben. Controleer de staat van de bijbehorende uitrustingen en verzeker u ervan dat de hefhoogte voldoende is.
4. Indien een harnas niet in een schijnbaar goede staat verkeert, dient het te worden gecontroleerd door Tractel® SAS of door een erkende en bevoegde technicus die schriftelijk toestemming dient te geven om het harnas opnieuw te gebruiken. Een visuele controle vóór elk gebruik wordt aanbevolen.
5. Wijzigingen of toevoeging aan de uitrusting is alleen toegestaan na schriftelijke en voorafgaandelijke goedkeuring van Tractel® S.A.S. De uitrusting dient in zijn oorspronkelijke verpakking getransporteerd en opgeslagen te worden.
6. Ieder harnas dat de afgelopen 12 maanden geen periodieke inspectie heeft ondergaan, mag niet worden gebruikt. Het mag pas gebruikt worden nadat er opnieuw een periodieke inspectie is gemaakt door een bevoegde en bekwaame technicus die schriftelijk toestemming zal geven voor het gebruik ervan. Wanneer deze inspecties niet worden uitgevoerd, dient het harnas vernieuwd te worden en dient het oude harnas vernietigd te worden. Wanneer deze een val heeft opgevangen dient deze vervangen te worden door een nieuw harnas en dient het oude harnas vernietigd te worden.
7. De maximale gebruikslast voor de harnassen HT/ET en de CE-positioneringsgordels bedraagt 150 kg.
8. Indien de massa van de gebruiker plus de massa van zijn uitrusting en zijn gereedschap tussen 100 kg en 150 kg ligt, dient te worden verzekerd dat deze totale massa (gebruiker + uitrusting + gereedschap) de maximale gebruikslast van elk van de elementen die deel uitmaken van het valbeveiligingssysteem, niet overschrijdt.
9. Deze uitrusting is geschikt voor een gebruik op een werf in open lucht en voor een bepaalde temperatuur tussen -30°C en +60°C. Vermijd elk contact met scherpe kanten, schurende oppervlakken, chemische producten.
10. Belangrijk: als u het materiaal aan een werknemer of aan een gelijkwaardig individu dient toe te vertrouwen, respecteer dan verplicht de van kracht zijnde arbeidsreglementeringen.

11. De operator dient tijdens het gebruik van deze uitrusting in goede gezondheid te verkeren, zowel lichamelijk als mentaal. Raadpleeg bij twijfel uw arts of de bedrijfsarts. Mag niet door zwangere vrouwen gebruikt worden.
12. De uitrusting mag niet gebruikt worden buiten haar toepassingsgebieden, of in alle andere situaties waarvoor de uitrusting niet bestemd is: zie "4. Functies en omschrijving".
13. Het is aan te raden om elke operator een eigen uitrusting toe te wijzen, vooral indien het om werknemend personeel gaat.
14. Voordat men een valbeveiligingssysteem EN 363 gebruikt, moet de gebruiker ervoor zorgen dat alle samenstellende onderdelen in goede bedrijfsstaat verkeren: veiligheidssysteem, vergrendeling. Bij het aanbrengen, mag er geen enkele beschadiging van de veiligheidsfuncties zijn.
15. Bij een valbeveiligingssysteem is het belangrijk de vrije ruimte onder de operator op de werkplaats te controleren vóór elk gebruik, om in geval van een val elk risico op aanraking met de grond of met een obstakel op het traject van de val te vermijden.

Afbeelding 4.c, bladzijde 5.

- ▶ h1 moet een afstand van 0 m tot 1.5 m bedragen.
- ▶ h2 moet minstens gelijk zijn aan 1 m.
- ▶ t is de minimale vrije hoogte onder de voeten van de operator.

Dit varieert naar gelang het type valbeveiligingssysteem dat aan het harnas gekoppeld is:

- Voor een bloctor™, t = minimum 3 m.
 - Voor een stopfor™, t = minimum 4 m.
 - Voor een leirim met energieabsorber, t = minimum 6 m.
 - Voor een stopcable™ (EN 353-1), t = minimum 2 m.
 - Voor een stopcable™ (EN 353-2), t = minimum 4 m.
16. Het is noodzakelijk het harnas te onderhouden en op te bergen conform de instructies van de handleiding. Het niet respecteren van de paragraaf Onderhoud en Opslag kan de levensduur van het harnas op een zeer negatieve manier beïnvloeden.
 17. Voor de veiligheid van de operator is het essentieel dat het harnas of het verankeringspunt correct gepositioneerd is en dat het werk zodanig wordt uitgevoerd dat het risico op vallen en de hoogte zo klein mogelijk zijn.
 18. Voor de veiligheid van de operator, indien het product buiten het eerste land van bestemming wordt verkocht, dient de verkoper de volgende elementen te verschaffen: een gebruiksaanwijzing, instructies voor het onderhoud, voor periodieke controles en herstellingen, opgesteld in de taal van het land van gebruik van het product.



OPMERKING

Aarzel niet contact op te nemen met TRACTEL® voor speciale toepassingen.

2. Definities en pictogrammen

2.1 Definities

"Gebruiker": Persoon of dienst verantwoordelijk voor het beheer en de gebruiksveiligheid van het in deze handleiding beschreven product.

"Technicus": Bevoegd persoon, belast met de onderhoudswerkzaamheden die in deze handleiding worden beschreven en aan de gebruiker toegestaan, die het product kent en ermee kan werken.

"Operator": Persoon die gebruik maakt van het product volgens de gebruiksnormen ervan.

“PBM”: Persoonlijke beschermingsmiddelen tegen vallen van op een bepaalde hoogte.

“Verbindingsstuk”: Verbindingsstuk tussen de onderdelen van een valbeveiligingssysteem. Dit element is conform de norm EN 362.

“Valstopharnas”: Valbeveiligingsuitrusting ter bescherming van het lichaam bestaande uit riemen en gespen. Omvat antiavalbevestigingspunten gemarkeerd met een **A** indien ze alleen gebruikt mogen worden, of met een **A/2** indien ze in combinatie met een ander **A/2**-bevestigingspunt gebruikt dienen te worden. Het harnas is conform de norm EN 361.

“Maximale gebruikslast”: Maximale massa van de aangeklede gebruiker, uitgerust met zijn PBM, zijn werkkledij, zijn gereedschap en onderdelen die hij nodig heeft voor de interventie.

“Valbeveiligingssysteem”: Geheel bestaande uit de volgende elementen:

- Valstopharnas.
- Valbeveiliging met automatische lijnspanner of energie-absorber of meelopende valbeveiliging met een starre ankerlijn of meelopende valbeveiliging met een flexibele ankerlijn.
- Verankerung.
- Verbindingsstuk.

“Element van het valbeveiligingssysteem”: Algemene term die één van de volgende elementen aanduidt:

- Valstopharnas.
- Valbeveiliging met automatische lijnspanner of energie-absorber of meelopende valbeveiliging met een starre ankerlijn of meelopende valbeveiliging met een flexibele ankerlijn.
- Verankerung.
- Verbindingsstuk.

2.2. Pictogrammen



GEVAAR: Geplaatst aan het begin van een regel, geeft instructies om schade aan personen, en in het bijzonder dodelijke, ernstige of lichte verwondingen, en milieuschade te voorkomen.



BELANGRIJK: Geplaatst aan het begin van een regel, geeft instructies om defecten en schade aan uitrusting te voorkomen, die echter geen rechtstreeks gevaar inhouden voor het leven of de gezondheid van de operator of van andere personen en/of die geen milieuschade kunnen veroorzaken.



OPMERKING: Geplaatst aan het begin van een regel, geeft instructies over het verzekeren van de doeltreffendheid of het gebruiksgemak van een installatie, een gebruik of onderhoudswerkzaamheden.

3. Gebruiksvoorwaarden

Controles voor gebruik:

- Controleer visueel de staat van het harnas, van de riemen, van de naden, van de gespen. De riem, de draden van de naden mogen geen sporen van afscheuringen vertonen, noch schuren, uitrafelingen, verbrandingen of scheuren. De afstelelementen, de gespen mogen geen sporen van corrosie of vervorming vertonen en moeten correct werken. Neem bij twijfel elk product uit de circulatie.
- Controleer de staat van de samenstellende onderdelen, harnas en verbindingsstukken.
- Controleer het volledig valbeveiligingssysteem.

4. Functies en omschrijving



BELANGRIJK: De HT/ET-harnassen zijn bestemd om een verankeringspunt op de operator te vormen zodat hij uitgerust kan worden met een valbeveiligingssysteem die hem zal beschermen tegen vallen van grote hoogte bij werken in de hoogte. Een valbeveiligingsharnas is het enige beschermingsmiddel voor het lichaam dat gebruikt mag worden in een valbeveiligingssysteem.

De CE-gordels zijn positioneringssystemen.



GEVAAR: Ze mogen niet worden gebruikt als beveiliging tegen vallen van grote hoogte.

De maximale gebruikslast van de HT/ET-harnassen en de CE-positioneringsgordels bedraagt 150 kg.

Voor elk gebruik dient te worden verzekerd dat alle elementen van het valbeveiligingssysteem compatibel zijn met deze last. Raadpleeg hiervoor de respectievelijke handleidingen.

Indien dit niet het geval is, dan is de maximale last van het valbeveiligingssysteem gelijk aan die van het element met de laagste maximale gebruikslast.

Naar gelang het type harnas, bestaan er meerdere gebruiksmogelijkheden:

- Harnas met rugpunt: valbeveiligingssysteem voor hoogtewerken.
- Harnas met rug- en borstpunt: idem harnas met rugpunt + behoud in de werkpositie, veiligheid bij het klimmen op een ladder, ...
- Harnas met riempunt: valbeveiligingssysteem naargelang het type beschikbare verankeringspunten, riempunt voor behoud in werkpositie. Bij een positioneringssysteem moet de veiligheidslijn steeds gespannen zijn en mag de vrije verplaatsing niet meer dan 0,6 m bedragen.
- De HT-R harnassen zijn gelijkwaardig aan de HT harnassen, maar zijn aanvullend uitgerust met een reddingslijn, vastgenaaid op de schouderriemen. Dankzij deze reddingslijn kan een redder in veilige omstandigheden een reddingsoperatie uitvoeren. De harnassen hebben een etiket dichtbij de D-ring van de reddingslijn voor het vastkoppelen, dat aangeeft dat deze uitsluitend voor reddingsoperaties gebruikt mag worden.
- De Ladytrac™-harnassen zijn bestemd voor vrouwen. Ze werden speciaal ontworpen en gepatenteerd voor de vrouwelijke lichaamsbouw. Dankzij het vest waarmee de harnassen zijn uitgerust, kunnen deze uitrustingen makkelijk aangetrokken worden.
- Het harnas HT120 bezit borstbevestiging, speciaal ontworpen en gepositioneerd een om zich te koppelen op een rail-valbeveiliging voor ladders. Het bevestigingspunt op de borst heeft als kenmerk dat het tijdens een val verplaatst dankzij de scheuring van een naad. Het principe is gepatenteerd. Het is speciaal gepositioneerd voor deze applicatie en stoot de operator in geen enkel geval tijdens het klimmen of het dalen.

Zie tabel *verankeringspunten* op *bladzijde 2*.



GEVAAR

De laterale bevestigingspunten van de ceintuur niet als bevestigingspunt gebruiken voor een valbeveiliging (EN 358 positionering), in combinatie met een positioneringslijn (EN 358) - en ook niet als bevestigingspunt van de reddingsleier te gebruiken (EN 1497) die alleen dient voor evacuatie.

Afbeelding 4 (a, c, d), *bladzijde 5*.



GEVAAR: De harnassen niet gebruiken voor andere toepassingen dans de beveiliging tegen vallen van grote hoogte. Het gebruik van de harnassen in het kader van sport- of vrijetijdsactiviteiten is verboden.

5. Contra-indicaties

Het is strikt verboden:

- een HT/ET-harnas of een CE-positioneringsgordel te installeren of te gebruiken indien u daarvoor niet gemachtigd, opgeleid of bevoegd bent, of niet onder toezicht staat van een gemachtigd, opgeleid of bevoegd persoon.
- een HT/ET-harnas of een CE-positioneringsgordel te gebruiken indien de markering ervan niet leesbaar is.
- een HT/ET-harnas of een CE-positioneringsgordel te installeren of te gebruiken zonder voorafgaande controle ervan.
- een HT/ET-harnas of een CE-positioneringsgordel te gebruiken die sinds minstens 12 maanden geen periodieke inspectie heeft ondergaan werd door een technicus die het gebruik ervan schriftelijk heeft goedgekeurd.
- een HT/ET-harnas te gebruiken voor andere doeleinden dan de valbeveiliging van personen.
- een CE-positioneringsgordel te gebruiken voor andere doeleinden dan de positionering op de werkplek.
- het harnas HT/ET niet met een ander middel te bevestigen dan zijn bevestigingspunt gemerkt als **A** of als **A/2**.
- een HT/ET-harnas of een CE-positioneringsgordel te gebruiken zonder de informatie in acht te nemen die is opgenomen in paragraaf "13. Levensduur".
- een HT/ET-harnas of een CE-positioneringsgordel te gebruiken indien de massa van de persoon, inclusief zijn uitrusting en gereedschap, meer dan 150 kg bedraagt.
- een HT/ET-harnas of een CE-positioneringsgordel te gebruiken met een maximumlast tussen 100 kg en 150 kg (totale massa van de operator, zijn uitrusting en zijn gereedschap) indien een element van het valbeveiligingssysteem een lagere maximale gebruikslast heeft.
- een HT/ET-harnas te gebruiken dat reeds een val heeft gestopt.
- een HT/ET-harnas of een CE-positioneringsgordel te gebruiken buiten de temperatuurzone beschreven in deze handleiding.
- een HT/ET-harnas te gebruiken als de vrije hoogte onvoldoende is in geval van een val.
- een HT/ET-harnas of een CE-positioneringsgordel te gebruiken indien men niet in een goede lichamelijke gezondheid verkeert.
- een HT/ET-harnas of een CE-positioneringsgordel te gebruiken indien men zwanger is.
- een HT/ET-harnas of een CE-positioneringsgordel te gebruiken indien de veiligheidsfunctie van één van de elementen aangetast is door de veiligheidsfunctie van een ander element of indien deze met elkaar interfereren.
- een HT/ET-harnas of een CE-positioneringsgordel via een valbeveiligingssysteem vast te maken aan een structureel verankeringspunt waarvan de weerstand (naar vermoeden) lager is dan 12 kN.
- herstellings- of onderhoudswerkzaamheden uit te voeren aan een HT/ET-harnas of een CE-positioneringsgordel.
- een HT/ET-harnas of een CE-positioneringsgordel te gebruiken indien die niet volledig is of voordien gedemonteerd werd of indien de onderdelen ervan werden vervangen.

6. Installatie

Abbeelding 3, bladzijde 5.

Maak alle afstelgespen van het harnas vast wanneer de operator gekleed is.

Pas de lengten van de verschillende riemen aan: niet te vast, niet te los zodat een optimaal comfort tijdens het gebruik en een doeltreffende bescherming verkregen wordt. Alleen op deze voorwaarde zal het harnas doeltreffend beschermen tegen vallen van grote hoogte.

- Indien mogelijk dient het structurele verankeringspunt zich op een hoogte te bevinden tussen 1.5 en 2 meter boven de voeten van de operator. Het structurele verankeringspunt moet een weerstand bevatten van 12 kN.
- De aansluiting op het verankeringspunt of op de structuur moet gebeuren aan de hand van een EN 362 verbindingstuk.
- Voor de verbinding van het valstopsysteem aan het valstoppharnas, dient u de handleidingen te raadplegen van het harnas en het valstopsysteem om het juiste aankoppelingssysteem en de juiste koppelmethode te gebruiken.



GEVAAR

Vóór en tijdens het gebruik dient u de manier te overwegen waarop een eventuele reddingsoperatie in alle veiligheid en op een doeltreffende manier uitgevoerd kan worden binnen een tijdsduur van 15 minuten. De bediener is in gevaar als dit niet binnen deze termijn kan gebeuren.

7. Componenten en materialen

Abbeelding 1, bladzijde 3: Harnas - EN 361-EN 358-EN 1497

- Riem uit PES
- Rugplaat uit PE
- Elastomeer gesp
- Stalen afstellus
- Zijkoppeling van staal (punt valbeveiliging, cf. *Abbeelding 1, bladzijde 3*).
- Borstkoppeling uit staal of PES (punt valbeveiliging, cf. *Abbeelding 1, bladzijde 3*)
- Rugkoppeling uit staal (punt valbeveiliging, cf. *Abbeelding 1, bladzijde 3*).
- Zitband uit PES
- Borstlus uit PP
- Etiket markering
- Markering "A", verankeringspunten, op D of op de riem
- Zijkoppeling van staal (punt instandhouding, cf. *Abbeelding 1, bladzijde 3*)
- Rugsteun uit PE schuim PE en stof
- Etiket markering
- Ring uit POM
- Stalen afstellus
- Elastomeer gesp
- Reddingsriem
- Etiket leirium
- D-riem voor redding
- Centrale koppeling riem
- Riem + draden van de naden: polyester,
- Gespen uit gegalvaniseerd staal en aluminium,
- Rugsteun PE schuim, bedekt met cordura,
- Rugplaat, lussen: polyethyleen, thermoplastisch elastomeer.

8. Gekoppelde uitrustingen

Valbeveiligingssysteem (EN 363):

- Een verankering (EN 795).
- Een verbindingsstuk aan het uiteinde (EN 362).
- Een valbeschermingssysteem (EN 353-1/2 - EN 355 - EN 360).
- Een verbindingsstuk aan het uiteinde (EN 362).
- Een valbeschermingsharnas (NF EN 361).

Voor het gebruik van een valstopsysteem EN 363, dient u te controleren of alle installaties bruikbaar zijn en op de juiste manier werken.

9. Onderhoud en opslag

- Als het harnas vuil is, dient u deze te reinigen met helder en koud water en eventueel met een wasmiddel voor delicaat textiel; gebruik een synthetische borstel.
- Als, tijdens het gebruik of tijdens een wasbeurt, het harnas nat geworden is, moet men het in de schaduw en beschermd tegen warmtebronnen laten drogen.
Zie afbeelding 5, bladzijde 5.
- Beveilig de uitrusting tijdens het transport en de opslag tegen elk gevaar (scherpe kanten, directe warmtebron, chemische producten, ultraviolette stralen,...).

10. Conformiteit van de uitrusting

Bij deze verklaart de firma Tractel SAS, RD 619 - Saint-Hilaire-sous-Romilly - F - 10102 Romilly sur Seine - France, dat de in deze handleiding beschreven uitrusting:

- Conform de voorschriften van de Verordening (EU) 2016/425 van het Europees Parlement, maart 2016 is,
- Identiek is aan het PBM dat onderwerp heeft uitgemaakt van het typeafschrift "EU", afgeleverd door het APAVE SUDEUROPE SAS - CS 60193 - 13322 Marseille - France, geïdentificeerd door het nummer 0082 en getest volgens de normen EN 361 van 2002 en EN 358 van 2018,
- Onderworpen werd aan de procedure, beoogd door het Bijlage VIII van de Verordening (EU) 2016/425 van het Europees Parlement, module D, onder de controle van een erkend organisme: APAVE SUDEUROPE SAS - CS 60193 - 13322 Marseille - France, geïdentificeerd door het nummer 0082.

11. Markering

Het etiket van alle HT/ET-harnassen en EG-steungordels geven de volgende elementen aan:

- a: Het commercieel merk: Tractel®.
- b: De beschrijving van het product,
- c: De referentienorm, gevolgd door het jaar van toepassing,
- d: De referentie van het product,
- e: Het logo CE, gevolgd door het nummer 0082, is het identificatienummer van de instantie die belast is met de productiecontrole,
- f: Jaar en week van fabricage,
- g: Het serienummer,
- h: Een pictogram dat aangeeft dat de handleiding vóór elk gebruik gelezen moet worden,
- w: Maximale gebruiksbelasting.

De HT-R harnassen hebben een extra etiket, in de nabijheid van de D-ring van de reddingslijn, met de volgende opschriften:

- i: Het commercieel handelsmerk,
- j: De referentienorm, gevolgd door het jaar van toepassing,
- k: Het pictogram dat aangeeft dat men de gebruiksaanwijzing moet lezen vóór het gebruik van de uitrusting,
- w: Maximale gebruikslast.

12. Periodieke controle

Een jaarlijkse periodieke inspectie is verplicht, maar naar gelang de gebruiksfrequentie, de omgevingsomstandigheden en de regelgeving van het bedrijf of van het land waarin het gebruikt wordt, kan het zijn dat er vaker periodieke inspecties uitgevoerd moeten worden.

De periodieke controles moeten uitgevoerd worden door een bevoegd en bekwaam persoon met in achtnaam van de controle-instructies van de fabrikant die opnieuw overgeschreven staan in het bestand "controle-instructies van de EPI Tractel®".

De controle en de leesbaarheid van de markering op het product maakt integraal onderdeel uit van de periodieke inspectie.

Aan het einde van de inspectie moet de inbedrijfstelling opnieuw schriftelijk bevestigd worden door een bevoegde en bekwaame technicus die de periodieke inspectie heeft uitgevoerd. Deze inbedrijfstelling van het product moet geregistreerd worden op het controleblad in het midden van deze handleiding. Dit controleblad moet tijdens de gehele levensduur van het product bewaard worden, totdat deze vervangen wordt door een nieuw harnas.

Nadat dit product van textiel een val heeft gestopt, dient deze verplicht door een nieuw harnas vervangen te worden en dient het oude harnas vernietigd te worden, zelfs wanneer deze geen zichtbare schade heeft opgelopen.

13. Levensduur

De EPI textiel van Tractel® zoals het harnas, de leiriemen, koorden en schokdempers, de mechanische EPI van Tractel® zoals de antivalbescherming stopcable™ en stopfor™ en de valbeveiligers met automatische lijnspanner zoals de blocfor™, en de levenslijnen Tractel® kunnen onder voorbehoud worden gebruikt vanaf de productiedatum waaraan zij onderworpen zijn:

- bij normaal gebruik met in acht neming van de gebruiksinstructies uit deze handleiding,
- een periodieke inspectie moet tenminste 1 keer per jaar door een bevoegde en bekwaame technicus worden uitgevoerd. Aan het einde van deze periodieke inspectie moet deze EPI schriftelijk als bedrijfsklaar worden verklaard.
- strenge naleving van de opslag- en transportvoorwaarden die in deze handleiding staan beschreven.
- Als algemene regel en wanneer de bovenstaande gebruiksinstructies nageleefd worden, kan de levensduur langer dan 10 jaar zijn.

14. Wegwerpprocedure

Bij het afdanken van het product is het verplicht de verschillende onderdelen te recyclen door de metalen materialen van de synthetische materialen te scheiden. Deze materialen moeten bij gespecialiseerde organismen gerecycled worden. Bij het afdanken moet de demontage, voor de scheiding van de bestanddelen, uitgevoerd worden door een deskundig persoon.

Naam en adres producent:
Tractel SAS - RD 619 - BP 38
Saint Hilaire sous Romilly
10102 Romilly sur Seine
Frankrijk

1. Consignas prioritarias

1. Los arneses HT/ET son un elemento del sistema de parada de caídas, los arneses HT R son un elemento del sistema de parada de caídas que pueden servir para el salvamento. Son conformes a la/a las norma(s) EN 361/EN1497, que pueden acoplarse con cinturones CE, conforme a la norma EN 358. Estos dos tipos de equipos solo pueden ser utilizados por una sola persona, formada y/o competente o por un operador bajo la vigilancia directa de tales personas.
2. Antes de utilizar un arnés HT/ET, es indispensable para la seguridad de utilización del material y su eficacia, que el usuario lea y comprenda las informaciones en el manual suministrados por Tractel® SAS. Este manual debe conservarse y mantenerse a disposición de cualquier usuario. Se pueden suministrar dos ejemplares suplementarios a pedido. Se recomienda una primera prueba de suspensión, en un lugar seguro, a fin de cerciorarse de que el arnés esté bien ajustado y que suministre un nivel de confort aceptable para la utilización prevista.
3. Antes de utilizar este equipo es indispensable haber recibido una formación para su utilización. Verifique el estado de los equipos asociados y asegúrese de que la altura libre es suficiente
4. Si un arnés no está en buen estado aparente, este debe ser verificado por Tractel® SAS o por un técnico autorizado y competente, el cual debe autorizar por escrito la reutilización del sistema. Se recomienda realizar un control visual antes de cada utilización.
5. No se puede hacer ninguna modificación o añadido al equipo sin la autorización previa por escrito de Tractel® SAS. El equipo debe ser transportado y almacenado en su embalaje original.
6. Todo arnés que no ha sido objeto de un examen periódico durante los 12 últimos meses no debe ser utilizado. Solo podrá ser utilizado nuevamente después de un nuevo examen periódico realizado por un técnico autorizado y competente que autorizará por escrito su utilización. A falta de este examen y la autorización, el arnés será puesto fuera de servicio y destruido. Si éste ha detenido una caída, debe ser puesto fuera de servicio y destruido.
7. La carga máxima de utilización es de 150 kg para los arneses HT/ET y los cinturones de sujeción en el puesto de trabajo CE.
8. Si la masa del usuario aumentada en la masa de su equipo y de sus herramientas está comprendida entre 100 kg y 150 kg, es imperativo asegurarse de que esta masa total (usuario + equipo + herramientas) no excede la carga máxima de utilización de cada uno de los elementos que constituyen el sistema de parada de caídas.
9. Este equipo es idóneo para una utilización en obra al aire libre y para un intervalo de temperatura comprendido entre -30°C y +60°C. Evitar todo contacto con aristas vivas, superficies abrasivas y productos químicos.
10. Importante: si debe confiar el material a personal asalariado o similar, asegúrese que cumple con la normativa laboral correspondiente.
11. El operador debe estar en plena forma física y psicológica durante la utilización de este equipo. En caso de duda, consulte a su médico o al médico laboral. Está prohibido a las mujeres embarazadas.
12. El equipo no debe ser utilizado más allá de sus límites, o en cualquier otra situación que no sea aquella para la cual está previsto: ver "4. Funciones y descripción".
13. Se recomienda atribuir personalmente el arnés a cada operador, especialmente si se trata de personal asalariado.

14. Antes de la utilización de un sistema anticaídas NF EN 363, el usuario debe asegurarse de que cada uno de los componentes está en buen estado de funcionamiento: sistema de seguridad, bloqueo. Durante la colocación no debe haber deterioro de las funciones de seguridad.
15. En un sistema de parada de caídas, es fundamental verificar el espacio libre debajo del operador en el lugar de trabajo antes de cada utilización, de modo que, en caso de caída, no haya riesgo de colisión con el suelo ni presencia de un obstáculo en la trayectoria de la caída.

Figura 4.c, página 5.

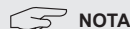
h1 debe estar comprendido entre 0 m y 1.5 m.

h2 debe ser igual a 1 m mínimo.

t es la altura libre mínima debajo de los pies del operador.

Varía según el tipo de anticaídas conectado al arnés:

- Para un blocfor™, t = 3 m mínimo.
 - Para un stopfor™, t = 4 m mínimo.
 - Para un cabestro con absorbedor de energía, t = 6 m mínimo.
 - Para un stopcable™ (EN 353-1), t = 2 m mínimo.
 - Para un stopcable™ (EN 353-2), t = 4 m mínimo.
16. Es indispensable conservar y sacar del almacén el arnés según las instrucciones del manual. La inobservancia del párrafo de mantenimiento y almacenamiento puede repercutir de manera muy negativa en la vida útil del arnés.
 17. Para la seguridad del operador, es esencial que el dispositivo o el punto de anclaje esté colocado correctamente y que el trabajo sea realizado de manera que se reduzca al mínimo el riesgo de caídas así como su altura.
 18. Para la seguridad del operador, si el producto es revendido fuera del primer país de destino, el revendedor debe suministrar: un manual de utilización, instrucciones para el mantenimiento, para las revisiones periódicas y las reparaciones, redactados en el idioma del país de utilización del producto.



NOTA

Para toda aplicación especial,
no dude en dirigirse a la red TRACTEL®.

2. Definiciones y pictogramas

2.1 Definiciones

"Usuario": Persona o servicio responsable de la gestión y de la seguridad de utilización del producto descrito en el manual.

"Técnico": Persona calificada, a cargo de las operaciones de mantenimiento descritas y permitidas al usuario por el manual, que es competente y ésta familiarizado con el producto.

"Operador": Persona que opera en la utilización del producto, conforme a la finalidad de este.

"EPI": Equipos de protección individual contra las caídas de altura.

"Conector": Elemento de conexión entre componentes de un sistema de parada de caídas. Está conforme con la norma EN 362.

"Árnés anticaída": Dispositivo de prensión del cuerpo destinado a parar las caídas. Está constituido de correas y hebillas. Consta de puntos de enganche anticaída marcados con una **A** si pueden ser utilizados solos o marcados con una **A/2** si deben ser utilizados en combinación con otro punto **A/2**. Está conforme con la norma EN 361.

“**Carga máxima de utilización**”: Masa máxima del usuario vestido, equipado con sus EPI, su ropa de trabajo, sus herramientas y los componentes que necesita para realizar su intervención.

“**Sistema de parada de caídas**”: Conjunto compuesto de los siguientes elementos:

- Arnés anticaída.
- Dispositivo anticaída de retorno automático o absorbedor de energía o dispositivo anticaída móvil en soporte de aseguramiento rígido o dispositivo anticaída móvil en soporte de aseguramiento flexible.
- Anclaje.
- Elemento de unión.

“**Elemento del sistema de parada de caídas**”: Término genérico que define uno de los siguientes elementos:

- Arnés anticaída.
- Dispositivo anticaída de retorno automático o absorbedor de energía o dispositivo anticaída móvil en soporte de aseguramiento rígido o dispositivo anticaída móvil en soporte de aseguramiento flexible.
- Anclaje.
- Elemento de unión.

2.2. Pictogramas



PELIGRO: Colocado al comienzo de la línea, designa instrucciones destinadas a evitar daños a las personas, sobre todo las heridas mortales, graves o ligeras, así como los daños al medio ambiente.



IMPORTANTE: Colocado al comienzo de la línea, designa instrucciones destinadas a evitar una falla o un daño de los equipos, pero que no pone directamente en peligro la vida o la salud del operador o las de otras personas, y/o que no puede ocasionar daño al medio ambiente.



NOTA: Colocado al comienzo de la línea, designa instrucciones destinadas a asegurar la eficacia o la comodidad de una instalación, una utilización o una operación de mantenimiento.

3. Condiciones de utilización

Verificación antes de la utilización:

- Verificación visual del estado del arnés, de las correas, de las costuras, de las hebillas. La correa, los hilos de costura no deben presentar trazas de abrasión, de deshilachado, de quemaduras, de cortes. Los elementos de ajuste, las hebillas no deben presentar trazas de corrosión, de deformación y deben funcionar correctamente. En caso de dudas, retirar inmediatamente todo producto de la circulación.
- Verificar el estado de los componentes asociados, arnés y conectores.
- Verificar el sistema anticaídas completo.

4. Funciones y descripción



IMPORTANTE: Los arneses HT/ET están destinados a crear un punto de enganche en el operador con el fin de poder equiparlo de un sistema anticaídas que lo protegerá de una caída durante trabajos en altura. Un arnés anticaídas es el único dispositivo de prensión del cuerpo que está permitido utilizar en un sistema de parada de caídas.

Los cinturones CE son sistemas de sujeción en el puesto de trabajo.



PELIGRO: Los cinturones CE no deben ser utilizados para la protección de caídas de altura.

La carga máxima de utilización de los arneses HT/ET y de los cinturones de sujeción en el puesto de trabajo CE es de 150 kg.

Antes de su utilización, es imperativo asegurarse de que todos los elementos del sistema de parada de caídas son compatibles con esta carga refiriéndose a sus manuales respectivos.

De lo contrario, la carga máxima será la del elemento del sistema de parada de caídas que tiene la menor carga máxima de utilización.

En función del tipo de arnés, dispone de varias utilizaciones posibles:

- Arnés con punto dorsal: seguridad anticaídas para trabajo en altura.
- Arnés con punto dorsal y esternal: ídem arnés con punto dorsal + trabajo en retención, seguridad durante la ascensión en escalera, etc.
- Arnés con punto de cintura: seguridad anticaídas según el tipo y los puntos de enganche disponibles, punto de cintura para el mantenimiento en el puesto de trabajo. En un sistema de sujeción en el puesto de trabajo, la correa debe ser mantenida tensa y el desplazamiento libre debe estar limitado a 0.6 m como máximo.
- Los arneses HT R son arneses similares a los arneses HT pero equipados de un cabestro de salvamento suplementario cosido en los tirantes. Este cabestro permite a un salvador realizar la evacuación en buenas condiciones. Los arneses poseen una etiqueta cerca de la dé del cabestro de salvamento que permite el enganche, especificando que ésta sólo se debe utilizar para el salvamento.
- Los arneses Ladytrac™ están principalmente destinados a las mujeres. Han sido especialmente diseñados y patentados con el fin de adaptarse a la morfología femenina. Estos arneses están equipados de una chaqueta que permite ponérselos fácilmente.
- El arnés HT120 tiene un punto de enganche torácico especialmente diseñado y colocado para conectarse en un dispositivo anticaída en carril para escalera. El punto de enganche torácico tiene la particularidad de desplazarse, durante una caída, por desgarramiento de una costura. El principio está patentado. Está especialmente colocado para esta aplicación, y permite no estorbar al operador durante la subida o la bajada.

Ver el cuadro de los puntos de enganche en la página 2.



PELIGRO

No utilizar como punto de enganche de anticaída los puntos de enganche laterales del cinturón, reservados para trabajar en mantenimiento en el puesto (EN 358) en combinación con un cabestro de mantenimiento (EN 358), ni el punto de enganche de la correa de salvamento (EN 1497) que sirve únicamente para la evacuación.

Figura 4 (a, c, d), página 5.



PELIGRO: No utilizar los arneses para otras aplicaciones que no sean la protección contra las caídas de altura. Está prohibida la utilización de los arneses en el marco de una actividad de ocio o deportiva.

5. Contraindicaciones de empleo

Está terminantemente prohibido:

- instalar o utilizar un arnés HT/ET o un cinturón de sujeción en el puesto de trabajo CE sin haber sido autorizado, formado y reconocido competente para esto o, en su defecto, sin estar bajo la vigilancia de una persona autorizada, formada y reconocida como competente.
- utilizar un arnés HT/ET o un cinturón de sujeción en el puesto de trabajo CE si su marca no es legible.
- instalar o utilizar un arnés HT/ET o un cinturón de sujeción en el puesto de trabajo CE que no ha sido objeto de las verificaciones previas.
- utilizar un arnés HT/ET o un cinturón de sujeción en el puesto de trabajo CE que no ha sido objeto de un examen periódico desde hace menos de 12 meses, por un técnico que autorizó su reutilización por escrito.
- utilizar un arnés HT/ET para cualquier otra aplicación que no sea la protección contra las caídas de altura de personas.
- utilizar un cinturón de sujeción en el puesto de trabajo CE para cualquier otra aplicación que no sea la de sujeción en el puesto de trabajo.
- fijar un arnés HT/ET mediante cualquier otro medio que no sea su punto de enganche marcado **A** o **A/2**.
- utilizar un arnés HT/ET o un cinturón de sujeción en el puesto de trabajo CE que esté en contradicción con las informaciones definidas en el párrafo "13. Vida útil".
- que un arnés HT/ET o un cinturón de sujeción en el puesto de trabajo CE sea utilizado por una persona cuya masa, incluyendo equipo y herramientas, es superior a 150 kg.
- utilizar un arnés HT/ET o un cinturón de sujeción en el puesto de trabajo CE con una carga comprendida entre 100 kg y 150 kg (masa total del usuario, su equipo y sus herramientas) si un elemento del sistema de parada de caídas tiene una carga máxima de utilización menor.
- utilizar un arnés HT/ET si este ha sufrido una caída de persona.
- utilizar un arnés HT/ET o un cinturón de sujeción en el puesto de trabajo CE fuera del intervalo de temperatura especificado en el presente manual.
- utilizar un arnés HT/ET si la altura libre no es suficiente en caso de caída de la persona.
- utilizar un arnés HT/ET o un cinturón de sujeción en el puesto de trabajo CE si no se está en plena forma física.
- utilizar un arnés HT/ET o un cinturón de sujeción en el puesto de trabajo CE si uno es una mujer encinta.
- utilizar un arnés HT/ET o un cinturón de sujeción en el puesto de trabajo CE si la función de seguridad de uno de los artículos asociados es afectada por la función de seguridad de otro artículo o interfiere con esta.
- amarrar un arnés HT/ET o un cinturón de sujeción en el puesto de trabajo CE mediante un sistema anticaída en un punto de anclaje estructural cuya resistencia es inferior a 12 kN o supuesta como tal.
- proceder a operaciones de reparación o de mantenimiento de un arnés HT/ET o de un cinturón de sujeción en el puesto de trabajo CE.
- utilizar un arnés HT/ET o un cinturón de sujeción en el puesto de trabajo CE si este no está completo, si ha sido desmontado previamente o si se ha reemplazado componentes.

6. Instalación

Figura 3, página 5.

Montar todas las hebillas de ajuste del arnés cuando el operador esté vestido.

Ajustar las longitudes de las diferentes correas: ni mucho, ni poco apretadas con el fin de obtener un confort máximo durante la utilización así como una protección anticaídas óptimo. Bajo esta condición el arnés protegerá eficazmente.

- En la medida de lo posible, el punto de anclaje estructural se encontrará a una altura comprendida entre 1.5 y 2 metros por encima de los pies del operador. El punto de anclaje estructural debe tener una resistencia mínima de 12 kN.
- La conexión al punto de anclaje o a la estructura debe hacerse mediante un conector EN 362.
- Para la conexión del sistema anticaída en el arnés anticaída, referirse a los manuales del arnés y del sistema anticaída con el fin de utilizar el punto de enganche adecuado así como el método adecuado para engancharse.



Antes y durante la utilización, usted debe considerar de qué manera se podría realizar el posible salvamento de forma eficaz y con total seguridad en un tiempo inferior a 15 minutos. Más allá de este tiempo, el operador está en peligro.

7. Componentes y materiales

Figura 1, página 3: Arnés - EN 361 - EN 358 - EN 1497.

- Tirante de PES.
 - Placa dorsal de PE.
 - Presilla de elastómero.
 - Hebilla de ajuste de acero.
 - Enganche lateral de acero (punto anticaída, véase la figura 1, página 3).
 - Enganche lateral de acero o PES (punto anticaída, véase la figura 1, página 3).
 - Enganche dorsal de acero (punto anticaída, véase la figura 1, página 3).
 - SopORTE de nalgas de PES.
 - Hebilla torácica de PP.
 - Etiqueta de marcado.
 - Marca "A", de los puntos de enganche, en la D o la correa.
 - Enganche lateral de acero (punto de sujeción, véase la figura 1, página 3).
 - Respaldo de espuma de PE y telas.
 - Etiqueta de marcado.
 - Anillo de servicio de POM.
 - Hebilla de ajuste de acero.
 - Presilla de elastómero.
 - Correa de salvamento.
 - Etiqueta de cabestro de salvamento.
 - De de enganche para salvamento.
 - Enganche central de cinturón.
- Correa + hilos de costura: poliéster.
 - Hebillas de acero galvanizado y aluminio.
 - Respaldo de espuma recubierto de cordura.
 - Placa dorsal, presillas: polietileno, elastómero termoplástico.

8. Equipos asociados

Sistema anticaídas (EN 363):

- Anclaje (EN 795).
- Un conector de extremo (EN 362).
- Un sistema anticaídas (EN 353-1/2 - EN 355 - EN 360).
- Un conector de extremo (EN 362).
- Un arnés anticaídas (NF EN 361).

Antes de la utilización de un sistema de parada de caídas EN 363, verificar que cada uno de los equipos es utilizable y funciona correctamente.

9. Mantenimiento y almacenamiento

- Si un arnés está sucio, hay que lavarlo con agua limpia y fría y, llegado el caso, con un detergente para tejidos delicados. Utilizar un cepillo sintético.
- Si durante la utilización o el lavado un arnés se ha mojado, hay que dejarlo secar a la sombra de manera natural y lejos de toda fuente de calor.

Ver figura 5, página 5.

- Durante el transporte y el almacenamiento, proteger el equipo contra todo peligro (borde cortante, fuente de calor directa, productos químicos, radiación UV, etc.).

10. Conformidad del equipo

La sociedad Tractel SAS. RD 619 - Saint-Hilaire-sous-Romilly - F -10102 Romilly-sur-Seine - France, declara, por la presente, que el equipo de seguridad descrito en este manual,

- es conforme a las disposiciones de la Reglamento (UE) 2016/425 del Parlamento Europeo de marzo de 2016.
- es idéntico al E.P.I. que fue objeto de la certificación "UE" de tipo entregada por la APAVE SUDEUROPE SAS - CS 60193 - 13322 Marseille - France, identificado por el número 0082, y probado según las normas EN 361 de 2002 y EN 358 de 2018,
- está sujeto al procedimiento contemplado por el Anexo VIII del Reglamento (UE) 2016/425 del Parlamento Europeo, módulo D, bajo el control de un organismo notificado: APAVE SUDEUROPE SAS - CS 60193 - 13322 Marseille - France, identificado por el número 0082.

11. Marcaje

La etiqueta de cada uno de los arneses HT/ET y cinturones CE indica :

- a: la marca comercial: Tractel®,
- b: la designación del producto.,
- c: la norma de referencia seguida del año de aplicación,
- d: la referencia del producto,
- e: El logotipo CE seguido del número 0082, número de identificación del organismo notificado a cargo del control de producción,
- f: año y mes de fabricación,
- g: el número de serie,
- h: un pictograma que indica que hay que leer el manual antes de la utilización,
- w: Carga máxima de utilización.

Para los arneses HT R, poseen además una etiqueta que se encuentra cerca de la dé de enganche del cabestro de salvamento que incluye:

- i: la marca comercial,
- j: la norma de referencia seguida por el año de aplicación,
- k: el pictograma que indica que hay que leer el manual de empleo antes de la utilización.

12. Examen periódico

Es obligatorio un examen periódico anual, pero, en función de la frecuencia de utilización, las condiciones ambientales y la reglamentación de la empresa o del país de utilización, los exámenes periódicos pueden ser más frecuentes.

Los exámenes periódicos deben ser realizados por un técnico autorizado y competente y respetando los modos operativos de examen del fabricante transcritos en el archivo "Instrucciones de verificación de los EPI Tractel®".

La verificación de la legibilidad del marcado en el producto forma parte integrante del examen periódico.

Al final del examen periódico, la nueva puesta en servicio debe ser notificada por escrito por el técnico autorizado y competente que efectuó el examen periódico. Esta nueva puesta en servicio del producto debe ser registrada en la hoja de control que se encuentra en medio del presente manual. Esta hoja de control debe ser conservada durante toda la vida del producto, hasta su puesta fuera de servicio.

Después de haber detenido una caída, el presente producto textil debe ser obligatoriamente puesto fuera de servicio y destruido, incluso si no presenta ninguna alteración visible.

13. Vida útil

Los EPI textiles Tractel® como los arneses, correas, cuerdas y absorbedores, los EPI mecánicos Tractel® como los sistemas anticaídas stopcable™ y stopfor™, los sistemas anticaídas de retorno automático blocfor™ y las líneas de vida Tractel® pueden ser utilizados siempre y cuando a partir de su fecha de fabricación sean objeto de:

- una utilización normal respetando las preconizaciones de utilización del presente manual.
- un examen periódico que debe ser realizado como mínimo 1 vez al año por un técnico autorizado y competente. Al final de este examen periódico, el EPI debe ser declarado por escrito apto para su nueva puesta en servicio.
- el respeto estricto de las condiciones de almacenamiento y de transporte mencionadas en el presente manual.
- Por regla general, y siempre que se respeten las condiciones de uso antes mencionadas, su ciclo de vida puede ser superior a 10 años.

14. Desecho

Al realizar la eliminación del producto, es obligatorio reciclar los distintos componentes mediante una clasificación de las materias metálicas y mediante una clasificación de los materiales sintéticos. Estos materiales deben reciclarse ante organismos especializados. Al realizar la eliminación, el desmontaje para la separación de los componentes debe ser realizado por una persona competente.

Nombre y dirección del fabricante:

Tractel SAS - RD 619 - BP 38
Saint Hilaire sous Romilly
10102 Romilly sur Seine
Francia

1. Prescrizioni prioritarie

1. Le imbracature HT/ET sono un elemento del sistema di arresto delle cadute, le imbracature HT R sono un elemento del sistema di arresto delle cadute che possono servire per il salvataggio. Esse sono conformi alla / alle normativa (e) EN 361 / EN1497, che possono essere utilizzate insieme a cinture CE, conformi alla normativa 358. Questi due tipi di equipaggiamenti possono essere utilizzati da una sola persona, formata e/o competente oppure da un operatore sotto la sorveglianza diretta di tali persone.
2. Prima dell'utilizzo di un'imbracatura HT/ET è indispensabile, per la sicurezza d'impiego del dispositivo e per la sua efficacia, che l'utilizzatore legga e comprenda le informazioni contenute nel manuale fornito da Tractel SAS. Il manuale di utilizzo deve essere fornito e conservato insieme ad ogni sistema o componente e tenuto a disposizione di ogni utilizzatore. Si raccomanda di effettuare preventivamente una prova di sospensione in un luogo sicuro, al fine di accertarsi che l'imbracatura sia ben regolata e che fornisca un livello di confort accettabile per l'utilizzo previsto.
3. Prima dell'utilizzo di questo dispositivo di sicurezza è indispensabile avere ricevuto un addestramento per il suo corretto impiego. Verificare lo stato degli equipaggiamenti associati e accertarsi che l'altezza libera sia sufficiente.
4. Se una imbracatura non è in buone condizioni apparenti, essa deve essere verificata da Tractel® SAS oppure da un tecnico debitamente abilitato e competente, che deve autorizzare per iscritto la riutilizzazione del sistema. Si raccomanda un controllo visivo prima di ogni utilizzo.
5. Non è possibile effettuare modifiche o aggiunte al dispositivo senza il previo accordo scritto di Tractel SAS. Il dispositivo deve essere trasportato e stoccato nel suo imballaggio d'origine.
6. Qualsiasi imbracatura che non sia stata oggetto di una revisione periodica nel corso degli ultimi 12 mesi, non deve essere utilizzata. Essa potrà di nuovo essere utilizzata solo dopo una nuova revisione periodica eseguita da un tecnico abilitato e competente che autorizzerà per iscritto il suo utilizzo. In assenza di queste revisione e autorizzazione, l'imbracatura sarà scartata e distrutta. Se ha arrestato una caduta deve essere scartata e distrutta.
7. Il carico massimo di utilizzazione è di 150 kg per le imbracature HT/ET e per le cinture di ancoraggio al posto di lavoro CE.
8. Se la massa dell'utilizzatore, aumentata della massa del suo dispositivo e dei suoi strumenti, è compresa fra 100 kg e 150 kg, è imperativo verificare che questa massa totale (utilizzatore + dispositivo + strumenti) non superi il carico massimo di utilizzazione di ciascuno degli elementi che costituiscono il sistema di blocco delle cadute.
9. Questo dispositivo è adatto per l'utilizzo in cantieri all'aperto e per una fascia di temperatura compresa tra -30°C e +60°C. Evitare qualsiasi contatto con spigoli vivi, superfici abrasive, prodotti chimici.
10. Importante: se si deve affidare questo materiale a personale dipendente o assimilato, è necessario attenersi alla normativa sul lavoro in vigore.
11. L'operatore deve essere in piena forma fisica e psicologica durante la fase di utilizzazione di questo dispositivo. In caso di dubbio consultare il proprio medico o il medico del lavoro. E' vietato alle donne in stato di gravidanza.
12. Il dispositivo non deve essere utilizzato oltre i suoi limiti, o in situazioni diverse da quelle per cui è previsto: vedi "4. Funzioni e descrizione".

13. Si raccomanda di attribuire personalmente un'imbracatura ad ogni operatore, in particolar modo, se si tratta di personale dipendente.
14. Prima dell'utilizzo di un sistema di arresto di cadute EN 363, l'utilizzatore deve accertarsi che ciascuno dei componenti sia in buone condizioni di funzionamento: sistema di sicurezza, bloccaggio, ecc. Al momento dell'installazione non deve esistere un deterioramento delle funzioni di sicurezza.
15. In un sistema di arresto delle cadute, è essenziale verificare lo spazio libero sotto l'operatore sul luogo di lavoro prima di ogni eventuale utilizzazione, in modo che, in caso di caduta, non ci sia il rischio di collisione con il suolo né la presenza di un ostacolo sulla traiettoria della caduta.

Figura 4.c, pagina 5.

► h1 deve essere compresa tra 0 m e 1.5 m.

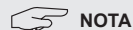
► h2 deve essere minimo = 1 m.

► t è il tirante d'aria minimo sotto i piedi dell'operatore.

Può variare a seconda del tipo di anticaduta collegato all'imbracatura:

- Per un blocfor™, t = 3 m minimo.
- Per uno stopfor™, t = 4 m minimo.
- Per un cordino con dissipatore di energia, t = 6 m minimo.
- Per uno stopcable™ (EN 353-1), t = 2 m minimo.
- Per uno stopcable™ (EN 353-2), t = 4 m minimo.

16. E' indispensabile sottoporre a manutenzione e stoccare l'imbracatura in conformità alle istruzioni del manuale, il mancato rispetto del paragrafo manutenzione e stoccaggio può influenzare in modo molto negativo la durata di vita dell'imbracatura.
17. E' essenziale per la sicurezza dell'operatore che il dispositivo oppure che il punto di ancoraggio siano correttamente posizionati e che il lavoro sia effettuato in modo da ridurre al minimo il rischio di cadute ed anche l'altezza relativa.
18. Per la sicurezza dell'operatore, se il prodotto è venduto al di fuori del primo paese di destinazione, il venditore deve fornire: le modalità d'impiego, le istruzioni per la manutenzione, per i controlli periodici e le riparazioni, redatte nella lingua del paese di utilizzo del prodotto.



NOTA

Per qualsiasi applicazione speciale, si consiglia di rivolgersi alla rete TRACTEL®.

2. Definizioni e pittogrammi

2.1 Definizioni

"Utilizzatore": Persona oppure servizio responsabile della gestione e della sicurezza d'utilizzazione del prodotto descritto nel manuale.

"Tecnico": Persona qualificata, incaricata delle operazioni di manutenzione descritte e permesse all'utilizzatore dal manuale, e che è competente e che conosce bene il prodotto.

"Operatore": Persona che opera nell'utilizzazione del prodotto, conformemente alla destinazione dello stesso.

"EPI": Dispositivo di protezione individuale contro le cadute dall'alto.

"Connettore": Elemento di collegamento fra componenti di un sistema di arresto di caduta. E' conforme alla norma EN 362.

"Imbracatura anticaduta": Dispositivo di prensione del corpo destinato ad interrompere le cadute. Esso è costituito da un sistema di cinghie e di agganci. Esso comporta dei punti di

aggancio anticaduta contrassegnati con una **A**, se essi possono essere utilizzati da soli, oppure con una **A/2**, se essi devono essere utilizzati insieme ad un altro punto **A/2**. Esso è conforme alla norma EN 361.

“Carico massimo d'utilizzazione”: Massa massima dell'utilizzatore vestito, equipaggiato con i suoi DPI, con il suo abbigliamento da lavoro, con i suoi utensili e con i componenti di cui ha bisogno per realizzare il suo intervento.

“Sistema di arresto delle cadute”: Insieme composto dai seguenti elementi:

- Imbracatura anticaduta.
- Anticaduta a richiamo automatico oppure assorbitore d'energia oppure anticaduta mobile su linea di ancoraggio rigida o anticaduta mobile su linea di ancoraggio flessibile.
- Ancoraggio.
- Elemento di collegamento.

“Elemento del sistema d'arresto delle cadute”: Termine generico che definisce uno dei seguenti elementi:

- Imbracatura anticaduta.
- Anticaduta a richiamo automatico oppure assorbitore d'energia oppure anticaduta mobile su linea di ancoraggio rigida o anticaduta mobile su linea di ancoraggio flessibile.
- Ancoraggio.
- Elemento di collegamento.

2.2. Pittogrammi



PERICOLO: Posto all'inizio della linea, indica delle istruzioni destinate ad evitare danni alle persone, in particolar modo, ferite mortali, gravi o leggere, ed anche danni all'ambiente.



IMPORTANTE: Posto all'inizio della linea, indica delle istruzioni destinate ad evitare un mancato funzionamento oppure un danno degli equipaggiamenti, ma che non mette direttamente in pericolo la vita oppure la salute dell'operatore o la vita di altre persone, e/o che non è suscettibile di causare danni all'ambiente.



NOTA: Posto all'inizio della linea, indica delle istruzioni destinate ad assicurare l'efficacia oppure la comodità di un'installazione, di un'utilizzazione oppure di un'operazione di manutenzione.

3. Condizioni di utilizzo

Verifica prima dell'utilizzo:

- Verifica visiva delle condizioni dell'imbracatura, delle cinghie, delle cuciture, delle fibbie. La cinghia, i fili delle cuciture non devono presentare tracce di abrasione, di sfilacciatura, di bruciature, di tagli. Gli elementi di regolazione, le fibbie non devono presentare tracce di corrosione o di deformazione e devono funzionare correttamente. In caso di dubbio ritirare immediatamente il prodotto dalla circolazione.
- Verificare lo stato dei componenti associati imbracatura e connettori.
- Verificare il sistema di arresto delle cadute completo.

4. Funzioni e descrizione



IMPORTANTE: Le imbracature HT/ET sono previste per creare un punto di aggancio sull'operatore al fine di poterlo munire di un sistema anticaduta che possa proteggerlo in caso di caduta durante lavori in altezza. Un'imbracatura anticaduta è l'unico dispositivo di presa del corpo che sia consentito utilizzare in un sistema di arresto di cadute.

Le cinture CE sono dei sistemi di mantenimento al posto di lavoro.



PERICOLO: Le cinture CE non devono essere utilizzate per la protezione da caduta dall'alto.

Il carico massimo d'utilizzazione delle imbracature HT/ET e delle cinture di mantenimento al posto di lavoro CE è di 150 kg.

E' imperativo verificare, prima dell'utilizzazione, che tutti gli elementi del sistema d'arresto delle cadute siano compatibili con questo carico, facendo riferimento ai manuali rispettivi.

Se tale non dovesse essere il caso, il carico massimo sarà quello dell'elemento del sistema d'arresto delle cadute che ha il più basso carico massimo d'utilizzazione.

In funzione del tipo di imbracatura, esistono diverse possibilità di utilizzo:

- Imbracatura con punto dorsale: sicurezza anticaduta per lavori in altezza,
- Imbracatura con punto dorsale e sternale: come per imbracatura con punto dorsale + lavoro in postazione, sicurezza durante salita su scale, ...
- Imbracatura con punto cintura: sicurezza anticaduta a seconda dei tipi e dei punti di aggancio disponibili, attacco cintura per posizionamento in postazione di lavoro. In un sistema di mantenimento al posto di lavoro, la corda deve essere mantenuta tesa e lo spostamento libero deve essere limitato a 0.6 m al massimo.
- Le imbracature HT R sono imbracature simili alle imbracature HT ma munite di un fettuccia di salvataggio supplementare cucita sulle bretelle. Questa fettuccia consente a un soccorritore di effettuare l'evacuazione in condizioni ottimali. Le imbracature sono munite di un'etichetta vicino al anello di aggancio della fettuccia, che indica che la stessa deve essere utilizzata unicamente per il salvataggio.
- Le imbracature Ladytrac™ sono destinate principalmente alle donne. Sono state specialmente concepite e brevettate per adattarsi alla morfologia femminile. Queste imbracature sono dotate di una giacca che permette di rivestirle facilmente.
- L'imbracatura HT120 possiede un punto di aggancio toracico concepito e posizionato in modo particolare per connettersi ad un anticaduta su rotaia per scala. Il punto di aggancio toracico ha la particolarità di spostarsi, in caso di caduta, mediante lo strappo di una cucitura. Il principio è brevettato. E' appositamente posizionato per questa applicazione e permette di non ostacolare l'operatore durante la salita o la discesa.

Vedere la tabella dei punti di aggancio alla pagina 2.



PERICOLO

Non utilizzare come punto di aggancio di anticaduta i punti di aggancio laterali della cintura, previsti unicamente per lavorare in postazione (EN 358) congiuntamente ad un cordino di posizionamento (EN 358), né il punto di aggancio della fettuccia di salvataggio (EN 1497) che serve soltanto all'evacuazione.

Figura 4 (a, c, d), pagina 5.



PERICOLO: Non utilizzare le imbracature per applicazioni diverse dalla protezione contro le cadute dall'alto. È vietato l'utilizzo delle imbracature nel contesto di un'attività di svago o sportiva.

5. Contro indicazioni d'utilizzazione

È assolutamente vietato:

- d'installare o di utilizzare un'imbracatura HT/ET oppure una cintura di mantenimento al posto di lavoro CE senza esservi stato autorizzato, formato e riconosciuto competente oppure, eventualmente, senza essere sotto la sorveglianza di una persona autorizzata, formata e riconosciuta competente.
- d'utilizzare un'imbracatura HT/ET oppure una cintura di mantenimento al posto di lavoro CE se la marcatura relativa non può essere letta.
- d'installare oppure d'utilizzare un'imbracatura HT/ET oppure una cintura di mantenimento al posto di lavoro CE, e che non abbia fatto l'oggetto delle verifiche preliminari.
- d'utilizzare un'imbracatura HT/ET oppure una cintura di mantenimento al posto di lavoro CE che non abbia fatto l'oggetto di una revisione periodica, da meno di 12 mesi, da parte di un tecnico che ne abbia autorizzato la riutilizzazione per iscritto.
- d'utilizzare un'imbracatura HT/ET per qualsiasi applicazione altra che diversa dalla protezione contro le cadute di persona dall'alto.
- d'utilizzare un'imbracatura di mantenimento al posto di lavoro CE per qualsiasi applicazione diversa dal mantenimento al posto di lavoro.
- di fissare un'imbracatura HT/ET con qualsiasi mezzo diverso dal suo punto di ancoraggio contrassegnato **A** oppure **A/2**.
- d'utilizzare un'imbracatura HT/ET oppure una cintura di mantenimento al posto di lavoro CE in contraddizione con le informazioni definite al paragrafo "13. Durata di vita".
- d'utilizzare un'imbracatura HT/ET oppure una cintura di mantenimento al posto di lavoro CE da parte di una persona la cui massa, equipaggiamento ed utensili compresi, sia superiore a 150 kg.
- d'utilizzare un'imbracatura HT/ET oppure una cintura di mantenimento al posto di lavoro CE ad un carico compreso fra 100 kg e 150 kg (massa totale dell'utilizzatore, del suo equipaggiamento e dei suoi utensili) se un elemento del sistema di arresto delle cadute ha un carico massimo di utilizzazione più basso.
- d'utilizzare un'imbracatura HT/ET, se ha subito una caduta di persona.
- d'utilizzare un'imbracatura HT/ET oppure una cintura di mantenimento al posto di lavoro CE, fuori dalla fascia di temperatura quali specificati nel presente manuale.
- d'utilizzare un'imbracatura HT/ET, se il tirante d'aria non è sufficiente in caso di caduta della persona.
- d'utilizzare un'imbracatura HT/ET oppure una cintura di mantenimento al posto di lavoro CE, se non si è in piena forma fisica.
- d'utilizzare un'imbracatura HT/ET oppure una cintura di mantenimento al posto di lavoro CE, se si tratta di una donna incinta.
- d'utilizzare un'imbracatura HT/ET oppure una cintura di mantenimento al posto di lavoro CE, se la funzione di sicurezza di uno degli articoli associati è limitata dalla funzione di sicurezza di un altro articolo oppure interferisce con questo.
- di ancorare un'imbracatura HT/ET oppure una cintura di mantenimento al posto di lavoro CE per tramite un sistema anticaduta ad un punto di ancoraggio strutturale, la cui resistenza sia inferiore a 12 kN oppure supposta come tale.

- di procedere a delle operazioni di riparazione o di manutenzione di un'imbracatura HT/ET oppure di una cintura di mantenimento al posto di lavoro CE.
- d'utilizzare un'imbracatura HT/ET oppure una cintura di mantenimento al posto di lavoro CE se essa non dovesse essere completa, se è stata preliminarmente smontata oppure se dei componenti sono stati sostituiti.

6. Installazione

Figura 3, pag. 5.

Assiemare tutte le fibbie di regolazione dell'imbracatura, quando l'operatore è vestito.

Regolare le lunghezze delle varie cinghie non stringendole troppo, nè troppo poco, al fine di ottenere il massimo confort durante l'utilizzo ed una protezione anticaduta ottimale. Solo in queste condizioni l'imbracatura svolgerà al meglio la sua funzione di protezione.

- Nei limiti del possibile, il punto di ancoraggio strutturale sarà posto ad una altezza compresa fra 1.5 e 2 metri al di sopra dei piedi dell'operatore. Il punto di ancoraggio strutturale deve garantire una resistenza minima di 12 kN.
- La connessione al punto di ancoraggio o alla struttura deve avvenire per mezzo di un connettore EN 362.
- Per il collegamento del sistema anticaduta all'imbracatura anticaduta, riferirsi ai manuali dell'imbracatura e del sistema anticaduta, al fine di utilizzare sia l'esatto punto di aggancio, sia il sistema di aggancio più appropriato.



PERICOLO

Prima e durante l'utilizzo è necessario che vengano prese tutte le precauzioni atte a garantire un eventuale salvataggio in maniera efficace e in totale sicurezza in un lasso di tempo inferiore a 15 minuti. Oltrepassato questo limite, l'operatore è in pericolo.

7. Componenti e materiali

Figura 1, pagina 3: Imbracatura - EN 361 - EN 358 - EN 1497.

- Bretella in PES.
- Piastra dorsale in PE.
- Passante elastomero.
- Fibbia di regolazione in acciaio.
- Aggancio laterale in acciaio | (punto anticaduta, vedi figura 1, pag. 3).
- Aggancio sternale in acciaio o PES (punto anticaduta, vedi figura 1, pag. 3).
- Aggancio dorsale in acciaio (punto anticaduta, vedi figura 1, pag. 3).
- Cosciali in PES.
- Fibbia toracica in PP.
- Etichetta di marcatura.
- Marcatura "A", dei punti di aggancio, sul D o sulla cinghia.
- Aggancio laterale in acciaio (punto di posizionamento, vedi figura 1, pag. 3).
- Schienalino in schiuma PE e tessuto.
- Etichetta di marcatura.
- Anello di servizio in POM.
- Fibbia di regolazione in acciaio.
- Passante in elastomero.
- Cinghia di salvataggio.
- Etichetta cordino di salvataggio.

- t. Dado di aggancio per salvataggio.
- u. Aggancio centrale cintura.

- Cinghia + fili di cucitura: poliestere,
- Fibbie in acciaio zincato e alluminio,
- Schienalino in schiuma ricoperto di cordura,
- Piastra dorsale, passanti: polietilene, elastomero termoplastico.

8. Dispositivi associati

Sistema di arresto di cadute (EN 363):

- Ancoraggio (EN 795).
- Un connettore di estremità (EN 362).
- Un sistema anticaduta (EN 353-1/2 - EN 355 - EN 360).
- Un Connettore (EN 362).
- Un imbracatura anticaduta (NF EN 361).

Prima di utilizzare un sistema di arresto delle cadute EN 363, verificare che ciascuno degli equipaggiamenti sia utilizzabile e funzioni correttamente.

9. Manutenzione e stoccaggio

- Se un'imbracatura è sporca, occorre lavarla con acqua pulita e fredda, con l'aggiunta eventualmente di un detersivo per tessuti delicati; utilizzare una spazzola sintetica.
- Se durante l'utilizzo, o dopo il lavaggio, l'imbracatura è rimasta bagnata, bisogna farla asciugare naturalmente all'ombra, lontano da qualsiasi fonte di calore.

Vedi figura 5, pagina 5.

• Durante il trasporto e lo stoccaggio, proteggere il dispositivo contro qualsiasi pericolo (bordi taglienti, fonti dirette di calore, prodotti chimici, UV, ...).

10. Conformità del dispositivo

La società Tractel SAS. RD 619 - Saint-Hilaire-sous-Romilly - F - 10102 Romilly-sur-Seine - France, dichiara, con la presente, che il dispositivo di sicurezza descritto in questo manuale,

- è conforme alle disposizioni della del Regolamento (EU) 2016/425 del Parlamento europeo di marzo 2016.
- è identico al D.P.I. oggetto dell'attestazione "UE" del tipo fornito dall'APAVE SUDEUROPE SAS - CS 60193 - 13322 Marseille - France, identificato dal numero 0082, e testato secondo le norme EN 361 del 2002 e EN 358 del 2018,
- è sottoposto alla procedura prevista dall'Allegato VIII del Regolamento (EU) 2016/425 del Parlamento europeo, modulo D, sotto il controllo di un organismo autorizzato: APAVE SUDEUROPE SAS - CS 60193 - 13322 Marseille - France, identificato dal numero 0082.

11. Marcatura

L'etichetta di ciascuna imbracatura HT/ET e cintura CE indica :

- a: il marchio commerciale: Tractel®,
- b: la denominazione del prodotto,
- c: la norma di riferimento seguita dall'anno di applicazione,
- d: il riferimento del prodotto,
- e: Il logo CE seguito dal n° 082, numero dell'ente notificato incaricato del controllo di produzione,
- f: anno e mese di fabbricazione,
- g: il numero di serie,
- h: un simbolo che segnala che occorre leggere le istruzioni prima dell'utilizzo,

w. Carico massimo di utilizzo.

Per le imbracature HT R: che esse possiedono un'ulteriore etichetta posizionata vicino all'anello di aggancio della fettuccia di salvataggio che comprende:

- i: il marchio commerciale,
- j: la normativa di riferimento seguita dall'anno di applicazione,
- k: il simbolo che indica che occorre leggere il manuale d'uso prima dell'utilizzo.

12. Verifica periodica

E' obbligatoria una revisione periodica, ma a seconda della frequenza di utilizzo, delle condizioni ambientali e della regolamentazione dell'azienda o del paese di utilizzo, le revisioni periodiche possono essere più frequenti.

Le revisioni periodiche devono essere eseguite da un tecnico abilitato e competente e nel rispetto delle modalità operative di verifica del fabbricante indicate nel file "Istruzioni di verifica dei DPI Tractel®".

La verifica della leggibilità della marcatura sul prodotto fa parte integrante della revisione periodica.

Dopo ogni revisione periodica, la rimessa in servizio deve essere notificata per iscritto dal tecnico abilitato e competente che ha eseguito la revisione periodica. Questa rimessa in servizio del prodotto deve essere registrata sul foglio di controllo che si trova al centro del presente manuale. Questo foglio di controllo deve essere conservato durante tutta la durata di vita del prodotto fino al suo smaltimento.

Dopo avere arrestato una caduta, il presente prodotto tessile deve essere obbligatoriamente scartato e distrutto, anche se non presenta nessuna alterazione visibile.

13. Durata di vita

I DPI tessili Tractel® come le imbracature, i cordini, le funi e i dissipatori, i DPI meccanici Tractel® come gli anticaduta stopcable™ e stopfor™ e gli anticaduta a richiamo automatico blocfor™, e le linee di vita Tractel® sono utilizzabili senza restrizioni, a condizione che a partire dalla loro data di fabbricazione essi siano oggetto:

- di un utilizzo normale nel rispetto delle prescrizioni di utilizzo del presente manuale,
- di una revisione periodica che deve essere effettuata minimo 1 volta all'anno da un tecnico abilitato e competente. Dopo questa revisione periodica, il DPI deve essere dichiarato per iscritto idoneo alla rimessa in servizio.
- dello stretto rispetto delle condizioni di stoccaggio e di trasporto menzionate nel presente manuale.
- Come norma generale e purché le suddette condizioni d'uso siano rispettate, il ciclo di vita dei dispositivi potrebbe superare i 10 anni.

14. Rottamazione

Al momento della rottamazione del prodotto, è obbligatorio riciclare i diversi componenti separando le materie metalliche e le materie sintetiche. Queste materie devono essere riciclate da organismi specializzati. Al momento della rottamazione, lo smontaggio, per la separazione dei componenti, deve essere eseguito da una persona competente.

Nome e indirizzo del fabbricante:

Tractel SAS - RD 619 - BP 38
Saint Hilaire sous Romilly
10102 Romilly sur Seine
Francia

1. Instruções prioritárias

- Os arneses HT/ET são um elemento do sistema de paragem de quedas, os arneses HT R são um elemento do sistema de paragem de quedas que podem servir para o salvamento. Satisfazem a(s) norma(s) EN 361/EN 1497, e podem ser acoplados a cinturões CE, segundo a norma EN 358. Estes dois tipos de equipamentos só podem ser utilizados por uma única pessoa, formada e/ou competente ou por um operador sob a supervisão direta de tais pessoas.
- Antes de utilizar um arnês HT/ET, é indispensável para a segurança de uso e eficácia do material que o utilizador leia e compreenda as informações do manual fornecido pela Tractel® SAS. Este manual deve ser mantido ao dispor de qualquer utilizador. Podem ser fornecidos exemplares suplementares a pedido. É aconselhável um primeiro ensaio de suspensão num local seguro, para se certificar que o arnês está bem ajustado e fornece um nível de conforto aceitável para a utilização prevista.
- Antes de utilizar este equipamento de segurança, é indispensável ter recebido formação sobre o uso do mesmo. Verificar o estado dos equipamentos associados e verificar se a altura livre é suficiente.
- Se um arnês não estiver em bom estado aparente, deve ser verificado pela Tractel® SAS ou por um técnico habilitado e competente que deve autorizar por escrito a reutilização do sistema. É recomendado um controlo visual antes de cada utilização.
- Qualquer modificação ou acréscimo ao equipamento não pode ser feito sem o acordo prévio escrito da Tractel® SAS. O equipamento deve ser transportado e armazenado na embalagem de origem.
- Todo arnês que não tenha sido submetido a um exame periódico durante os últimos 12 meses não deve ser utilizado. Ele só poderá ser novamente utilizado após um novo exame periódico realizado por um técnico habilitado e competente, que autorizará por escrito a sua utilização. Na ausência deste exame e da autorização, o arnês será afastado e destruído. Se tiver parado uma queda, deve ser afastado e destruído.
- A carga máxima de utilização é de 150 kg para os arneses HT/ET e os cinturões de manutenção no posto de trabalho CE.
- Se o peso do utilizador, aumentado do peso do seu equipamento e das suas ferramentas, estiver compreendido entre 100 kg e 150 kg, é indispensável assegurar-se de que este peso total (utilizador + equipamento + ferramentas) não excede a carga máxima de utilização de cada um dos elementos que constituem o sistema de paragem de quedas.
- Este equipamento está adaptado a uma utilização em estaleiro ao ar livre e uma faixa de temperatura entre -30°C e +60°C. Evitar qualquer contacto com arestas vivas, superfícies abrasivas ou produtos químicos.
- Importante: Se este material for confiado a uma pessoa assalariada ou semelhante, deverá ser cumprida a regulamentação do trabalho aplicável.
- O operador deve estar em perfeitas condições físicas e psicológicas aquando da utilização deste equipamento. No caso de dúvida, consultar um médico ou o médico do trabalho. Proibido às mulheres grávidas.
- O equipamento não deve ser utilizado além dos seus limites, nem em qualquer outra situação diferente da prevista: cf. "4. Funções e descrição".

- É recomendado atribuir pessoalmente um arnês a cada operador, nomeadamente se se tratar de pessoal assalariado.
- Antes de utilizar um sistema de paragem de quedas NF EN 363, o utilizador deve certificar-se de que cada um dos componentes está em bom estado de funcionamento: sistema de segurança, travamento. Durante a instalação, não deve haver degradação das funções de segurança.
- Num sistema de paragem de quedas, é essencial verificar o espaço livre sob o operador no local de trabalho antes de cada utilização, de modo que em caso de queda não haja risco de colisão com o solo nem presença de um obstáculo na trajetória da queda.

Figura 4.c, página 5.

- ▶ h1 deve ser entre 0 m e 1.5 m.
- ▶ h2 deve ser igual no mínimo a 1 m.
- ▶ t é o espaço livre de queda mínimo sob os pés do operador.

Varia consoante o tipo de anti-queda ligado ao arnês:

- Para um blocfor™, t = 3 m mínimo.
 - Para um stopfor™, t = 4 m mínimo.
 - Para uma linga com absorvedor de energia, t = 6 m mínimo.
 - Para um stopcable™ (EN 353-1), t = 2 m mínimo.
 - Para um stopcable™ (EN 353-2), t = 4 m mínimo.
- É indispensável conservar e manusear o arnês conforme as instruções do manual. O incumprimento do parágrafo manutenção e armazenagem pode influenciar muito negativamente a vida útil do arnês.
 - É essencial para a segurança do operador que o dispositivo ou o ponto de amarração esteja corretamente posicionado e que o trabalho seja efetuado de modo a reduzir ao mínimo o risco de quedas, assim como a altura das mesmas.
 - Para a segurança do operador, se o produto for revendido fora do primeiro país de destino, o revendedor deve fornecer: um manual de utilização, instruções para a manutenção, para os exames periódicos e as reparações, redigidos no idioma do país de utilização do produto.



NOTA

Para qualquer aplicação especial, não hesitar em contactar a rede TRACTEL®.

2. Definições e pictogramas

2.1 Definições

"Utilizador": Pessoa ou serviço responsável pela gestão e pela segurança de utilização do produto descrito no manual.

"Técnico": Pessoa qualificada, encarregada das operações de manutenção descritas e autorizadas ao utilizador pelo manual, que é competente e familiarizada com o produto.

"Operador": Pessoa que trabalha utilizando o produto em conformidade com o destino deste.

"EPI": Equipamentos de proteção individual contra as quedas de altura.

"Conector": Elemento de união entre os componentes de um sistema de paragem de quedas. É conforme à norma EN 362.

"Arnês antiequedas": Dispositivo de apreensão do corpo destinado a parar as quedas. É constituído por correias e conjuntos de fivelas. Possui pontos de fixação antiequedas marcados com um **A** quando podem ser utilizados sós, ou marcados com um **A/2** quando devem ser utilizados em associação com um outro ponto **A/2**. É conforme à norma EN 361.

“**Carga máxima de utilização**”: Peso máximo do utilizador vestido, equipado com os seus EPI, a sua roupa de trabalho, as suas ferramentas e os componentes necessários para efetuar a sua intervenção.

“**Sistema de paragem de quedas**”: Conjunto composto pelos seguintes elementos:

- Arnês anti-quedas.
- Antiquedas de retenção automática ou com absorvedor de energia ou antiquedas móvel sobre suporte de apoio rígido ou antiquedas móvel sobre suporte de apoio flexível.
- Amarração.
- Elemento de ligação.

“**Elemento do sistema de paragem de quedas**”: Termo genérico que define um dos seguintes elementos:

- Arnês anti-quedas.
- Antiquedas de retenção automática ou com absorvedor de energia ou antiquedas móvel sobre suporte de apoio rígido ou antiquedas móvel sobre suporte de apoio flexível.
- Amarração.
- Elemento de ligação.

2.2. Pictogramas



PERIGO: Colocado no início da linha, designa instruções destinadas a evitar danos às pessoas, nomeadamente lesões mortais, graves ou ligeiras, assim como danos ao meio ambiente.



IMPORTANTE: Colocado no início da linha, designa instruções destinadas a evitar uma falha ou danos aos equipamentos, mas sem colocar diretamente em perigo a vida ou a saúde do operador ou das demais pessoas, e/ou não sendo suscetíveis de causar danos ao meio ambiente.



NOTA: Colocado no início da linha, designa instruções destinadas a assegurar a eficácia ou a comodidade de uma instalação, utilização ou operação de manutenção.

3. Condições de utilização

Exame antes da utilização:

- Verificação visual do estado do arnês, das cintas, das costuras, das fivelas. A cinta e os fios de costura não devem apresentar marcas de abrasão, de desfiado, de queimaduras ou cortes. Os elementos de ajuste e as fivelas não devem apresentar marcas de corrosão ou de deformação e devem funcionar correctamente. No caso de dúvida, retirar imediatamente qualquer produto da circulação.
- Verificar o estado dos componentes associados: arnês e mosquetões.
- Verificar a totalidade do sistema de paragem de quedas.

4. Funções e descrição



IMPORTANTE: Os arneses HT/ET destinam-se a criar um ponto de amarração no operador, de modo que possa ser equipado com um sistema de anti-queda que o protegerá de uma queda durante os trabalhos em altura. Um arnês de anti-queda é o único dispositivo de prensão do corpo que é permitido utilizar num sistema de paragem das quedas.

Os cinturões CE são sistemas de manutenção no posto de trabalho.



PERIGO: Os cinturões CE não devem ser utilizados para a proteção contra quedas de altura.

A carga máxima de utilização dos arneses HT/ET e dos cinturões de manutenção no posto de trabalho CE é de 150 kg.

É imperativo assegurar-se, antes da utilização, de que todos os elementos do sistema de paragem de quedas são compatíveis com esta carga, referindo-se aos seus manuais respetivos.

Se não for o caso, a carga máxima será a do elemento do sistema de paragem de quedas com a menor carga máxima de utilização.

Consoante o tipo de arnês, são possíveis várias utilizações:

- Arnês com ponto dorsal: segurança anti-queda para trabalho em altura.
- Arnês com ponto dorsal e torácico: idem arnês com ponto dorsal + trabalho em retenção, segurança na subida de escada...
- Arnês com ponto no cinturão: segurança anti-queda conforme o tipo e os pontos de amarração disponíveis, ponto no cinturão para posicionamento no posto de trabalho. Num sistema de manutenção no posto de trabalho, a linga deve ser mantida tensa e a deslocação livre deve ser limitada a 0.6 m no máximo.
- Os arneses HT R são semelhantes aos arneses HT mas equipados com uma linga de salvamento suplementar cosida nas alças. Esta linga permite que um socorrista efectue a evacuação em boas condições. Os arneses possuem uma etiqueta junto do D da linga de salvamento que permite a amarração, indicando que esta linga só deve ser utilizada para o salvamento.
- Os arneses Ladytrac™ destinam-se sobretudo às mulheres. Foram especialmente concebidos e patenteados a fim de se adaptarem à morfologia feminina. Estes arneses estão equipados com um colete que permite uma colocação fácil.
- O arnês HT120 possui um ponto de fixação torácico especialmente concebido e posicionado para ser conectado a um antiqueda sobre rail para escadas. O ponto de fixação torácico tem a particularidade de se deslocar, aquando de uma queda, com o rasgamento de uma costura. Este princípio foi patenteado. Foi especialmente posicionado para esta aplicação, de maneira a não incomodar o operador durante a subida ou a descida.

Ver o quadro dos pontos de fixação na página 2.



PERIGO

Não utilizar como ponto de fixação os pontos de fixação laterais do cinturão, reservados para trabalhar em posicionamento no posto de trabalho (EN 358) combinados com uma linga de posicionamento (EN 358), nem o ponto de fixação da linga de salvamento (EN 1497) que serve unicamente para a evacuação.

Figura 4 (a, c, d), página 5.



PERIGO: Não utilizar os arneses para outras aplicações além da proteção contra as quedas de altura. É proibida a utilização dos arneses no âmbito de uma actividade de lazer ou de desporto.

5. Contra-indicações de utilização

É estritamente proibido:

- instalar ou utilizar um arnês HT/ET ou um cinturão de manutenção no posto de trabalho CE sem ter sido autorizado, formado e reconhecido competente para o fazer, ou na falta disto, sem estar sob a vigilância de uma pessoa autorizada, formada e reconhecida competente.
- utilizar um arnês HT/ET ou um cinturão de manutenção no posto de trabalho CE se a sua marcação não estiver legível.
- instalar ou utilizar um arnês HT/ET ou um cinturão de manutenção no posto de trabalho CE que não tenha sido submetido às verificações prévias.
- conectar um arnês HT/ET ou um cinturão de manutenção no posto de trabalho CE através de um sistema antiquedada a um ponto que não tenha sido submetido a um exame periódico, há menos de 12 meses, por um técnico que tenha autorizado por escrito a sua reutilização.
- utilizar um arnês HT/ET para qualquer outra aplicação além da de proteção contra as quedas de altura de pessoas.
- utilizar um cinturão de manutenção no posto de trabalho CE para qualquer outra aplicação além da de manutenção do posto de trabalho.
- fixar um arnês HT/ET por qualquer outro meio além do seu ponto de fixação marcado **A** ou **A/2**.
- utilizar um arnês HT/ET ou um cinturão de manutenção no posto de trabalho CE em contradição com as informações definidas no parágrafo "13. Duração de vida".
- utilizar um arnês HT/ET ou um cinturão de manutenção no posto de trabalho CE por uma pessoa cujo peso, equipamento e ferramentas incluídos, seja superior a 150 kg.
- utilizar um arnês HT/ET ou um cinturão de manutenção no posto de trabalho CE com uma carga compreendida entre 100 kg e 150 kg (peso total do utilizador, do seu equipamento e das suas ferramentas), se um elemento do sistema de paragem de quedas tiver uma carga máxima de utilização inferior.
- utilizar um arnês HT/ET se este já suportou uma queda de pessoa.
- utilizar um arnês HT/ET ou um cinturão de manutenção no posto de trabalho CE fora da faixa de temperatura especificadas no presente manual.
- utilizar um arnês HT/ET se o espaço livre de queda não for suficiente no caso de queda da pessoa.
- utilizar um arnês HT/ET ou um cinturão de manutenção no posto de trabalho CE se não estiver em plena forma física.
- utilizar um arnês HT/ET ou um cinturão de manutenção no posto de trabalho CE se for uma mulher grávida.
- utilizar um arnês HT/ET ou um cinturão de manutenção no posto de trabalho CE se a função de segurança de um dos artigos associados for afetada pela função de segurança de um outro artigo ou interferir com esta.
- amarrar um arnês HT/ET ou um cinturão de manutenção no posto de trabalho CE através de um sistema antiquedada a um ponto de amarração estrutural cuja resistência é inferior a 12 kN ou suposta como tal.
- proceder a operações de reparação ou de manutenção de um arnês HT/ET ou um cinturão de manutenção no posto de trabalho CE.
- utilizar um arnês HT/ET ou um cinturão de manutenção no posto de trabalho CE se não estiver completo, se tiver sido anteriormente desmontado ou se componentes tiverem sido substituídos.

6. Instalação

Figura 3, página 5.

Fechar todas as fivelas de ajuste do arnês quando o operador já estiver vestido.

Ajustar os comprimentos das diversas cintas: nem muito nem pouco apertadas, de modo a obter o máximo de conforto durante a utilização assim como uma protecção anti-queda óptima.

É nestas condições que o arnês protegerá com eficácia.

- Na medida do possível, o ponto de amarração estrutural deve estar situado a uma altura compreendida entre 1.5 e 2 metros acima dos pés do operador. O ponto de amarração estrutural deve apresentar uma resistência mínima de 12 kN.
- A ligação ao ponto de amarração ou à estrutura deve ser feita por meio de um mosquetão EN 362.
- Para a ligação do sistema antiquedada ao arnês de anti-queda, consultar os manuais do arnês e do sistema antiquedada, de modo a utilizar o ponto de amarração correcto e o bom método para se fixar.



PERIGO

Antes e durante a utilização, deve ser previsto o modo de efectuar o eventual resgate com eficácia e com total segurança dentro de um prazo inferior a 15 minutos. Além deste prazo, o operador fica em perigo.

7. Componentes e materiais

Figura 1 página 3: Arnês - EN 361 - EN 358 - EN 1497.

- a. Alça em PES.
 - b. Placa dorsal em PE.
 - c. Passador em elastómero.
 - d. Fivela de ajuste em aço.
 - e. Amarração lateral em aço (ponto antiquedada, cf. figura 1, página 3).
 - f. Amarração esternal em aço ou PES (ponto antiquedada, cf. figura 1, página 3).
 - g. Fixação dorsal em aço (ponto antiquedada, cf. figura 1, página 3).
 - h. Cinta entre pernas em PES.
 - i. Fivela torácica em PP.
 - j. Etiqueta de marcação.
 - k. Marcação "A", dos pontos de amarração, no D ou na cinta.
 - l. Amarração lateral em aço (ponto de manutenção, cf. figura 1, página 3).
 - m. Espaldar em esponja PE e tecido.
 - n. Etiqueta de marcação.
 - o. Anel de serviço em POM.
 - p. Fivela de ajuste em aço.
 - q. Passador em elastómero.
 - r. Cinta de salvamento.
 - s. Etiqueta língua de salvamento.
 - t. D de amarração para salvamento.
 - u. Fixação central cinturão.
- Cinta + fios de costura: poliéster,
 - Fivelas em aço zincado e alumínio,
 - Espaldar em esponja coberto de Cordura,
 - Placa dorsal, passadores: polietileno, elastómero termo-plástico.

PT

Lined writing area with 20 horizontal lines.

Lined writing area with 20 horizontal lines.

8. Equipamentos associados

Sistema de paragem de quedas (EN 363):

- Ancoragem (EN 795).
- Um mosquetão de extremidade (EN 362).
- Um sistema anti-quedas (EN 353-1/2 - EN 355 - EN 360).
- Um mosquetão (EN 362).
- Um arnês anti-queda (NF EN 361).

Antes da utilização de um sistema de paragem de quedas EN 363, verificar que cada um dos equipamentos é utilizável e funciona corretamente.

9. Manutenção e armazenagem

- Se um arnês estiver sujo, deve ser lavado com água limpa e fria, eventualmente com um detergente para têxteis delicados, utilizando uma escova sintética.
- Durante a utilização ou a lavagem, se o arnês ficar molhado, é necessário deixá-lo secar naturalmente à sombra e afastado de qualquer fonte de calor.

Ver figura 5, página 5.

- Durante o transporte e a armazenagem, proteger o equipamento contra qualquer perigo (bordo cortante, fonte de calor directo, produtos químicos, UV, ...).

10. Conformidade do equipamento

A sociedade Tractel SAS. RD 619 - Saint-Hilaire-sous-Romilly - F - 10102 Romilly-sur-Seine - France, declara, pelos presentes, que o equipamento de segurança descrito neste manual:

- Obedece às do Regulamento (UE) 2016/425 do Parlamento Europeu de março de 2016.
- É idêntico ao E.P.I. que foi objecto do atestado "UE" de tipo emitido pela APAVE SUDEUROPE SAS - CS 60193 - 13322 Marseille - France, identificado pelo número 0082, e testado segundo as normas EN 361 de 2002 e EN 358 de 2018.
- É submetido ao processo indicado pelo anexo VIII do Regulamento (UE) 2016/425 do Parlamento Europeu, módulo D, sob o controlo de um organismo notificado: APAVE SUDEUROPE SAS - CS 60193 - 13322 Marseille - France, identificado pelo número 0082.

11. Marcação

A etiqueta de cada arnês HT/ET e cinturão CE indica:

- a: a marca comercial: Tractel®.
- b: a designação do produto,
- c: a norma de referência seguida do ano de aplicação,
- d: a referência do produto,
- e: O logotipo CE seguido do número 0082, número de identificação do organismo autorizado encarregado do controlo de produção,
- f: ano e mês de fabrico,
- g: o número de série,
- h: um pictograma recomendando a leitura do manual antes da utilização.
- w: Carga máxima de utilização.

Para os arneses HT R, possuem além disso uma etiqueta que se encontra próximo do D de amarração da linga de salvamento e comporta:

- i: a marca comercial,
- j: a norma de referência seguida do ano de aplicação,

- k: o pictograma indicando que se deve ler o manual de instruções antes da utilização.

12. Exame periódico e reparação

Um exame periódico anual é obrigatório, mas em função da frequência de utilização, das condições ambientais e da regulamentação da empresa ou do país de utilização, os exames periódicos podem ser mais frequentes.

Os exames periódicos devem ser efetuados por um técnico habilitado e competente, respeitando os modos operatórios de exame do fabricante retranscritos no ficheiro

"Instruções de verificação dos EPI Tractel®".

A verificação da legibilidade da marcação no produto faz parte integrante do exame periódico.

No fim do exame periódico, a recolocação em serviço deve ser autorizada por escrito pelo técnico habilitado e competente que efetuou o exame periódico. Esta recolocação em serviço do produto deve ser registada na folha de controlo que se encontra no meio do presente manual. Esta folha de controlo deve ser conservada durante toda a duração de vida do produto, até à sua eliminação.

Após ter parado uma queda, o presente produto têxtil deve ser obrigatoriamente afastado e destruído, mesmo que não apresente nenhuma alteração visível.

13. Duração de vida

Os EPI têxteis Tractel® como harneses, lingas, cordas e absorsores, os EPI mecânicos Tractel® como os antequedas stopcable™ e stopfor™, os antequedas de bloqueio automático blocfor™, e as linhas de vida Tractel® são utilizáveis sob a reserva de que a contar da sua data de fabrico sejam objeto:

- de uma utilização normal, no respeito das preconizações de utilização do presente manual,
- de um exame periódico que deve ser realizado no mínimo 1 vez por ano por um técnico habilitado e competente. No fim deste exame periódico, o EPI deve ser declarado, por escrito, apto a ser recolocado em serviço.
- do estrito respeito das condições de armazenagem e de transporte mencionadas no presente manual.
- Em regra geral e, desde que as condições de utilização supramencionadas sejam cumpridas, a vida útil pode prolongar-se por mais de 10 anos.

14. Eliminação

Aquando da eliminação final do produto, é obrigatório reciclar os diferentes componentes por uma triagem dos materiais metálicos e uma triagem dos materiais sintéticos. Estes materiais devem ser reciclados junto de organismos especializados. Aquando da eliminação, a desmontagem para a separação dos constituintes deve ser realizada por uma pessoa competente.

Nome e endereço do fabricante:

Tractel SAS - RD 619 - BP 38
Saint Hilaire sous Romilly
10102 Romilly sur Seine

1. Πρωταρχικές συστάσεις

1. Οι ολόσωμες εξάρτυσεις HT/ET είναι στοιχεία του συστήματος προστασίας από πτώσεις, οι ολόσωμες εξάρτυσεις HT R είναι στοιχεία του συστήματος προστασίας από πτώσεις που μπορούν να χρησιμοποιηθούν για τη διάσωση. Είναι σύμφωνες με το/τα πρότυπο/α EN 361/EN1497, και μπορούν να συνδυαστούν με ζώνες συγκράτησης στη θέση εργασίας CE, σύμφωνες με το πρότυπο EN 358. Αυτοί οι δύο τύποι εξοπλισμού μπορούν να χρησιμοποιηθούν από ένα και μόνο άτομο, το οποίο θα είναι εκπαιδευμένο ή/και αρμόδιο, ή από χειριστή ο οποίος θα βρίσκεται υπό την άμεση επίβλεψη ενός τέτοιου ατόμου.
2. Πριν χρησιμοποιήσετε μια ολόσωμη εξάρτηση HT, είναι απαραίτητο για την ασφάλεια χρήσης του εξοπλισμού και να κατανοήσετε τις πληροφορίες του εγχειριδίου που παρέχει η Tractel® SAS. Οι παρουσίες οδηγίες πρέπει να παραμένουν στη διάθεση του κάθε χρήστη. Επιπλέον αντίτυπα μπορούν να διατεθούν κατόπιν αιτήσεως. Συνιστάται μια πρώτη δοκιμή ανάρτησης σε μέρος ασφαλές, ώστε να εισαφαστεί ότι η ολόσωμη εξάρτηση είναι σωστά ρυθμισμένη και παρέχει κατάλληλο για την προβλεπόμενη χρήση επίπεδο άνεσης.
3. Πριν χρησιμοποιήσετε αυτόν τον εξοπλισμό ασφαλείας, είναι απαραίτητο να έχετε εκπαιδευτεί για τη χρήση του. Ελέγξτε την κατάσταση των σχετικών εξοπλισμών και βεβαιωθείτε πως το ελεύθερο ύψος επαρκεί.
4. Εάν μια ολόσωμη εξάρτηση δεν είναι σε καλή εμφανώς κατάσταση, πρέπει να ελεγχθεί από την Tractel® SAS ή από κάποιον εξουσιοδοτημένο και αρμόδιο τεχνικό, ο οποίος πρέπει να επιτρέπει γραπτώς την επαναχρησιμοποίηση του συστήματος. Συνιστάται οπτικός έλεγχος πριν από κάθε χρήση.
5. Δεν μπορεί να πραγματοποιηθεί κάποια τροποποίηση ή πρόθεση στον εξοπλισμό χωρίς προηγούμενη έγγραφη έγκριση της Tractel® SAS.. Ο εξοπλισμός πρέπει να μεταφερθεί και να αποθηκεύεται στη συσκευασία προελευσής του.
6. Μια ολόσωμη εξάρτηση η οποία δεν υπήρξε αντικείμενο περιοδικού ελέγχου κατά τη διάρκεια των 12 τελευταίων μηνών, δεν πρέπει να χρησιμοποιηθεί. Θα μπορεί να ξαναχρησιμοποιηθεί μόνο μετά από νέο περιοδικό έλεγχο που θα πραγματοποιηθεί από εξουσιοδοτημένο και αρμόδιο τεχνικό ο οποίος θα επιτρέψει γραπτώς τη χρήση της. Ελλείψει του ελέγχου και της έγκρισης, η εξάρτηση θα αποσυρθεί και θα καταστραφεί. Εάν έχει αποτρέψει πτώση πρέπει να αποσυρθεί και να καταστραφεί.
7. Το μέγιστο φορτίο χρήσης είναι 150 kg για τις εξάρτυσεις HT/ET και τις ζώνες συγκράτησης στη θέση εργασίας CE.
8. Εάν η μάζα του χρήστη μαζί με τη μάζα του εξοπλισμού του και των εργαλείων του κυμαίνεται μεταξύ 100 kg και 150 kg, είναι απαραίτητο να βεβαιωθείτε ότι αυτή η συνολική μάζα (χρήστη + εξοπλισμός + εργαλεία) δεν ξεπερνά το μέγιστο φορτίο χρήσης του καθενός από τα στοιχεία που αποτελούν το σύστημα προστασίας από πτώσεις.
9. Ο εξοπλισμός αυτός είναι κατάλληλος για χρήση σε εξωτερικά εργοτάξια και σε εύρος θερμοκρασίας μεταξύ -30°C και +60°C. Αποφύγετε κάθε επαφή με αιχμηρά άκρα, τραχιές επιφάνειες, χημικά προϊόντα.
10. Σημαντικό: Αν πρέπει να αποδώσετε τον εξοπλισμό σε κάποιον μισθωτό ή άτομο εξομολογούμενης κατάστασης, συμμορφωθείτε με τον ισχύοντα κανονισμό εργασίας.
11. Ο χειριστής πρέπει να είναι σε άριστη φυσική και ψυχολογική κατάσταση κατά τη χρήση του εξοπλισμού αυτού. Σε περίπτωση αμφιβολίας, συμβουλευτείτε τον ιατρό σας ή τον ιατρό εργασίας. Απαγορεύεται στις έγκυες.
12. Ο εξοπλισμός δεν πρέπει να χρησιμοποιείται πέρα από τα όριά του, ή σε οποιαδήποτε άλλη περίπτωση από εκείνη για την οποία έχει προβλεφθεί. Βλέπε "4. Λειτουργία και περιγραφή".

13. Συνιστάται η ατομική απόδοση μιας ολόσωμης εξάρτυσης σε κάθε χειριστή, ιδίως αν πρόκειται για μισθωτό προσωπικό.
14. Πριν τη χρήση ενός εξοπλισμού προστασίας από πτώσεις NF EN 363, ο χρήστης πρέπει να βεβαιωθεί πως το καθένα από τα στοιχεία του είναι σε καλή κατάσταση λειτουργίας: σύστημα ασφαλείας, ασφάλιση. Κατά την τοποθέτηση, δεν πρέπει να προκληθεί ζημιά στις λειτουργίες ασφαλείας.
15. Σε ένα σύστημα προστασίας από πτώσεις, είναι πρωταρχικής σημασίας, πριν από κάθε χρήση, να ελεγχτεί ο ελεύθερος χώρος κάτω από τον χειριστή στον τόπο εργασίας, έτσι ώστε σε περίπτωση πτώσης να μην υπάρχει κίνδυνος πρόσκρουσης με το έδαφος ή παρουσία εμπόδου στη διαδρομή της πτώσης.

Σχέδιο 4.c σελίδα 5.

- ▶ **h1** πρέπει να περιλαμβάνεται μεταξύ 0 m και 1,5 m.
- ▶ **h2** πρέπει να ισοϋτά τουλάχιστον με 1 m.
- ▶ **t** είναι το ελάχιστο ελεύθερο ύψος κάτω από τα πόδια του χειριστή.

Ποικίλει ανάλογα με τον τύπο συστήματος προστασίας που συνδέεται στη ζώνη:

- Για blocfor™, t = 3 m τουλάχιστον.
 - Για stopfor™, t = 4 m τουλάχιστον.
 - Για μάντα πρόσδεσης με απορροφητή ενέργειας, t = 6 m τουλάχιστον.
 - Για stopcable™ (EN 353-1), t = 2 m τουλάχιστον.
 - Για stopcable™ (EN 353-2), t = 4 m τουλάχιστον.
16. Είναι απαραίτητο να συντηρείτε και να αποθηκεύετε την εξάρτηση σύμφωνα με τις συστάσεις του εγχειριδίου, η μη τήρηση της παραγράφου συντήρησης και αποθήκευσης μπορεί να επηρεάσει με πολύ αρνητικό τρόπο τη διάρκεια ζωής της εξάρτησης.
 17. Είναι απαραίτητο για την ασφάλεια του χειριστή, η διάταξη ή το σημείο αγκύρωσης να είναι σωστά τοποθετημένα και η εργασία να πραγματοποιείται έτσι ώστε να μειώνεται στο ελάχιστο ο κίνδυνος πτώσεων και το ύψος τους.
 18. Για την ασφάλεια του χειριστή, εάν το προϊόν μεταπωληθεί εκτός της αρχικής του χώρας προορισμού, ο μεταπωλητής θα πρέπει να παράσχει: ένα εγχειρίδιο χρήσης, οδηγίες για τη συντήρηση, για τους περιοδικούς ελέγχους και τις επιδιορθώσεις, στη γλώσσα της χώρας χρήσης του προϊόντος.



ΣΗΜΕΙΩΣΗ

Για κάθε ειδική εφαρμογή, μη διατάσεται να απευθυνθείτε στο δίκτυο TRACTEL®.

2. Ορισμοί και εικονοσύμβολα

2.1 Ορισμοί

"Χρήστης": Άτομο ή υπηρεσία που είναι υπεύθυνο για τη διαχείριση και την ασφάλεια χρήσης του προϊόντος το οποίο περιγράφεται στο εγχειρίδιο.

"Τεχνικός": Ειδικευμένο άτομο, υπεύθυνο για τις εργασίες συντήρησης που περιγράφονται και επιτρέπονται στο χρήστη από το εγχειρίδιο, το οποίο είναι αρμόδιο και εξοικειωμένο με το προϊόν.

"Χειριστής": Άτομο που χειρίζεται το προϊόν σύμφωνα με τη χρήση για την οποία προορίζεται.

"ΜΑΠ": Μέσα ατομικής προστασίας έναντι πτώσεων από ύψος.

"Συνδετήρας": Στοιχείο σύνδεσης ανάμεσα στα εξαρτήματα ενός συστήματος προστασίας από πτώσεις. Συμμορφώνεται προς το πρότυπο EN 362.

"Ολόσωμη εξάρτηση": Διάταξη συγκράτησης του σώματος που προορίζεται για την ανακοπή πτώσεων. Αποτελείται από μάντες και πόρτες. Περιλαμβάνει σημεία ανάρτησης ανακόπτη πτώσης που φέρουν την ένδειξη Α εάν μπορούν να

χρησιμοποιηθούν μόνο τους ή την ένδειξη **A/2** εάν πρέπει να χρησιμοποιηθούν σε συνδυασμό με κάποιο άλλο σημείο **A/2**. Συμμορφώνεται προς το πρότυπο EN 361.

“Μέγιστο φορτίο χρήσης”: Μέγιστη μάζα του τυμμένου χρήστη, εξοπλισμένου με τα ΜΑΠ του, τη στολή εργασίας του, τα εργαλεία του και τα στοιχεία τα οποία χρειάζεται για την επέμβασή του.

“Σύστημα προστασίας από πτώσεις”: Σύνολο αποτελούμενο από τα παρακάτω στοιχεία:

- Ολόσωμη εξάρτηση.
- Ανακόπτη πτώσης επαναφερόμενου τύπου ή με απορροφητή ενέργειας ή ανακόπτη πτώσης καθοδηγούμενου τύπου με άκαμπτο αγκυροβολημένο σχοινί ή ανακόπτη πτώσης καθοδηγούμενου τύπου με εύκαμπτο αγκυροβολημένο σχοινί.
- Αγκύρωση.
- Στοιχείο σύνδεσης

“Στοιχείο του συστήματος προστασίας από πτώσεις”: Γενικός όρος που καθορίζει ένα από τα παρακάτω στοιχεία:

- Ολόσωμη εξάρτηση.
- Ανακόπτη πτώσης επαναφερόμενου τύπου ή με απορροφητή ενέργειας ή ανακόπτη πτώσης καθοδηγούμενου τύπου με άκαμπτο αγκυροβολημένο σχοινί ή ανακόπτη πτώσης καθοδηγούμενου τύπου με εύκαμπτο αγκυροβολημένο σχοινί.
- Αγκύρωση.
- Στοιχείο σύνδεσης.

2.2. Εικονοσύμβολα



ΚΙΝΔΥΝΟΣ: Όταν βρίσκεται στην αρχή της σειράς, επισημαίνει οδηγίες για την αποφυγή σωματικών βλαβών και κυρίως των θανάσιμων, σοβαρών ή ελαφρών τραυματισμών, καθώς και των βλαβών στο περιβάλλον.



ΣΗΜΑΝΤΙΚΟ: Όταν βρίσκεται στην αρχή της σειράς, επισημαίνει οδηγίες για την αποφυγή βλάβης ή ζημίας στον εξοπλισμό, η οποία δεν θέτει άμεσα σε κίνδυνο τη ζωή ή την υγεία του χειριστή ή άλλων ατόμων καμιά που δεν κινδυνεύει να προκαλέσει βλάβη στο περιβάλλον.



ΣΗΜΕΙΩΣΗ: Όταν βρίσκεται στην αρχή της σειράς, επισημαίνει οδηγίες για την διασφάλιση της αποτελεσματικότητας ή της πρακτικότητας μιας εγκατάστασης, μιας χρήσης ή μιας διαδικασίας συντήρησης.

3. Συνθήκες χρήσης

Έλεγχος πριν από τη χρήση:

- Οπτικός έλεγχος της κατάστασης της εξάρτησης, των μαντάνων, των ραφών, των κρίκων. Ο μάντας, τα νήματα ραφής δεν πρέπει να παρουσιάζουν ίχνη τριβής, ξεφτίσματος, καψίματος, κοψίματος. Τα στοιχεία ρύθμισης, οι πόρτες δεν πρέπει να παρουσιάζουν ίχνη διάβρωσης ή παραμόρφωσης και πρέπει να λειτουργούν σωστά. Σε περίπτωση αμφιβολίας, αποσύρτε αμέσως το προϊόν από την κυκλοφορία.
- Ελέγξτε την κατάσταση των σχετικών εξοπλισμών εξάρτησης και συνδέσμων.
- Ελέγξτε το πλήρες σύστημα προστασίας από πτώσεις.

4. Λειτουργία και περιγραφή



ΣΗΜΑΝΤΙΚΟ: Οι ολόσωμες εξαρτήσεις HT έχουν σκοπό τη δημιουργία ενός σημείου ανάρτησης επάνω στο χρήστη

ώστε να μπορεί να εξοπλιστεί με σύστημα προστασίας από πτώσεις το οποίο θα τον προστατέψει από τον κίνδυνο πτώσης κατά την εργασία σε ύψος. Η ολόσωμη εξάρτηση είναι η μόνη διατάξη συγκράτησης του σώματος που επιτρέπεται να χρησιμοποιείται με εξοπλισμό προστασίας από πτώσεις.

Οι ζώνες CE αποτελούν συστήματα συγκράτησης στη θέση εργασίας.



ΚΙΝΔΥΝΟΣ: Οι ζώνες CE δεν πρέπει να χρησιμοποιούνται για την προστασία από πτώσεις από ύψος.

Το μέγιστο φορτίο χρήσης των εξαρτήσεων HT/ET και των ζωνών συγκράτησης στη θέση εργασίας CE είναι 150 kg.

Πριν τη χρήση, είναι απαραίτητο να βεβαιωθείτε ότι όλα τα στοιχεία του συστήματος προστασίας από πτώσεις είναι συμβατά με το φορτίο αυτό ανατρέχοντας στα αντίστοιχα εγχειρίδια.

Σε αντίθετη περίπτωση, το μέγιστο φορτίο θα είναι εκείνο του στοιχείου του συστήματος προστασίας από πτώσεις το οποίο διαθέτει το χαμηλότερο μέγιστο φορτίο χρήσης.

Ανάλογα με τον τύπο εξάρτησης, υπάρχουν διάφορες δυνατότητες χρήσης:

- Εξάρτηση με ραχιαίο σημείο: ασφάλεια κατά των πτώσεων για εργασία σε ύψος.
- Εξάρτηση με ραχιαίο και στερνικό σημείο: όπως εξάρτηση με ραχιαίο σημείο + συγκράτηση στη θέση εργασίας, ασφάλεια κατά το ανέβασμα σε σκάλα,...
- Εξάρτηση με σημείο στη ζώνη: ασφάλεια κατά των πτώσεων ανάλογα το διαθέσιμο τύπο και σημεία ανάρτησης, σημείο στη ζώνη για διατήρηση στη θέση εργασίας. Σε ένα σύστημα συγκράτησης στη θέση εργασίας, ο αναβάτης πρέπει να παραμείνει τευτμμένος και η ελεύθερη μετακίνηση πρέπει να περιορίζεται στα 0,6 μ. μήκους.
- Οι ολόσωμες εξαρτήσεις HT R είναι εξαρτήσεις παρόμοιες με τις ολόσωμες εξαρτήσεις HT αλλά εξοπλισμένες με συμπληρωματικό μάντα διάσωσης ραμμένο επάνω στους μάντες κορμού. Ο μάντας αυτός επιτρέπει στα μέλη του σωστικού συνεργείου να φέρουν εις πέρας την εκκένωση υπό καλές συνθήκες. Οι ολόσωμες εξαρτήσεις διαθέτουν μια ετικέτα κοντά στο D του μάντα διάσωσης που επιτρέπει την ανάρτηση, η οποία διευκολύνει πως αυτός πρέπει να χρησιμοποιείται αποκλειστικά για τη διάσωση.
- Οι εξαρτήσεις Ladytrac™ προορίζονται κυρίως για τις γυναίκες. Έχουν σχεδιαστεί ειδικά ώστε να ταυριάζουν στην γυναικεία μορφολογία και κατοχυρωθεί με δίπλωμα ευρεσιτεχνίας. Οι εξαρτήσεις αυτές είναι εξοπλισμένες με σακάκι ώστε να φοριούνται ευκολότερα.
- Η ολόσωμη εξάρτηση HT120 διαθέτει ένα θωρακικό σημείο ανάρτησης ειδικά σχεδιασμένο και τοποθετημένο ώστε να συνδέεται με ανακόπτη πτώσης αιδροτροχιάς για κλίμακα. Το θωρακικό σημείο ανάρτησης έχει την ιδιαιτερότητα να μετακινείται, κατά τη διάρκεια μιας πτώσης, μέσω του σκισίματος μιας ραφής. Το σύστημα είναι πατενταρισμένο. Έχει τοποθετηθεί ειδικά για την εφαρμογή αυτή κατά τρόπο που να μην ενοχλεί τον χειριστή κατά την άνοδο ή την κάθοδο.

Βλέπε πίνακα σημείων πρόσοδσης στη σελίδα 2.



ΚΙΝΔΥΝΟΣ

Μην χρησιμοποιείτε ως σημείο ανάρτησης των ανακοπών πτώσης τα πλαϊνά σημεία ανάρτησης της ζώνης, (EN 358) σε συνδυασμό με μάντα πρόσοδσης (EN 358), ούτε το σημείο ανάρτησης του μάντα διάσωσης (EN 1497) που χρησιμοποιεί μόνο για εκκένωση.

Σχέδιο 4 (a, c, d), σελίδα 5.



ΚΙΝΔΥΝΟΣ: Μην χρησιμοποιείτε την εξάρτηση για άλλες εφαρμογές από την προστασία κατά των πτώσεων από ύψος: η χρήση της εξάρτησης για ψυχαγωγικές ή αθλητικές δραστηριότητες απαγορεύεται.

5. Αντενδείξεις χρήσης

Απαγορεύεται αυστηρά:

- η εγκατάσταση ή χρήση μιας εξάρτυσης HT/ET ή μιας ζώνης συγκράτησης στη θέση εργασίας CE χωρίς να έχετε εξουσιοδοτηθεί, εκπαιδευτεί και κριθεί αρμόδιος γι αυτό ή ελλείψει αυτού, χωρίς να βρίσκεστε υπό την επίβλεψη ενός ατόμου εξουσιοδοτημένου, εκπαιδευμένου και αρμόδιου.
- η χρήση μιας εξάρτυσης HT/ET ή μιας ζώνης συγκράτησης στη θέση εργασίας CE εάν η σήμανσή της δεν είναι ευανάγνωστη.
- η εγκατάσταση ή χρήση μιας εξάρτυσης HT/ET ή μιας ζώνης συγκράτησης στη θέση εργασίας CE που δεν υπήρξε αντικείμενο προηγούμενων ελέγχων.
- η χρήση μιας εξάρτυσης HT/ET ή μιας ζώνης συγκράτησης στη θέση εργασίας CE που δεν υπήρξε αντικείμενο περιοδικού ελέγχου, εδώ και λιγότερο από 12 μήνες, από τεχνικό ο οποίος θα επιπρέπει γραπτώς την επαναχρησιμοποίηση της.
- η χρήση μιας εξάρτυσης HT/ET για οποιαδήποτε άλλη εφαρμογή εκτός της προστασίας των ατόμων από πτώσεις από ύψος.
- η χρήση μιας ζώνης συγκράτησης στη θέση εργασίας CE για οποιαδήποτε άλλη εφαρμογή εκτός της συγκράτησης στη θέση εργασίας.
- η στήριξη μιας ολόσωμης εξάρτυσης HT/ET με οποιοδήποτε άλλο μέσο εκτός του σημείου ανάρτησής της με τη σήμανση **A ή A2**.
- η χρήση μιας εξάρτυσης HT/ET ή μιας ζώνης συγκράτησης στη θέση εργασίας CE χωρίς να τηρούνται οι πληροφορίες που ορίζονται στην παράγραφο "13. Διάρκεια ζωής".
- η χρήση μιας εξάρτυσης HT/ET ή μιας ζώνης συγκράτησης στη θέση εργασίας CE από άτομο του οποίου η μάζα, μαζί με τον εξοπλισμό και τα εργαλεία, ξεπερνά τα 150 kg.
- η χρήση μιας εξάρτυσης HT/ET ή μιας ζώνης συγκράτησης στη θέση εργασίας CE με φορτίο μεταξύ 100 kg και 150 kg (συνολική μάζα του χρήστη με τον εξοπλισμό του και τα εργαλεία του) εάν κάποιο στοιχείο του συστήματος προστασίας από πτώσεις έχει χαμηλότερο μέγιστο φορτίο χρήσης.
- η χρήση μιας εξάρτυσης HT/ET εάν έχει αποτρέψει πτώση ατόμου.
- η χρήση μιας εξάρτυσης HT/ET ή μιας ζώνης συγκράτησης στη θέση εργασίας CE εκτός του εύρους θερμοκρασίας που ορίζεται στο παρόν εγχειρίδιο.
- η χρήση μιας εξάρτυσης HT/ET εάν το ελεύθερο ύψος δεν επαρκεί σε περίπτωση πτώσης του ατόμου.
- η χρήση μιας εξάρτυσης HT/ET ή μιας ζώνης συγκράτησης στη θέση εργασίας CE εάν δεν είστε σε άριστη φυσική κατάσταση.
- η χρήση μιας εξάρτυσης HT/ET ή μιας ζώνης συγκράτησης στη θέση εργασίας CE εάν είστε έγκυος.
- η χρήση μιας εξάρτυσης HT/ET ή μιας ζώνης συγκράτησης στη θέση εργασίας CE εάν η λειτουργία ασφαλείας ενός από τα συνδυαζόμενα στοιχεία επηρεάζεται από τη λειτουργία ασφαλείας κάποιου άλλου στοιχείου ή παρεμβάλλεται σ' αυτήν.
- η πρόσδεση μιας εξάρτυσης HT/ET ή μιας ζώνης συγκράτησης στη θέση εργασίας CE μέσω συστήματος ανακρίσης από πτώσεις σε ένα δομικό σημείο αγκύρωσης με αντοχή κατώτερη, ή που θεωρείται κατώτερη, των 12 kN.
- η εκτέλεση εργασιών επιδιόρθωσης ή συντήρησης μιας εξάρτυσης HT/ET ή μιας ζώνης συγκράτησης στη θέση εργασίας CE χωρίς να έχετε εκπαιδευτεί και εξουσιοδοτηθεί, γραπτώς, από την Tractel®.
- η χρήση μιας εξάρτυσης HT/ET ή μιας ζώνης συγκράτησης στη θέση εργασίας CE εάν δεν είναι πλήρης, εάν έχει αποσυνομοιοποιηθεί προηγουμένως ή εάν εξαρτήματά της έχουν αντικατασταθεί από άτομο μη εξουσιοδοτημένο από την Tractel®.

6. Εγκατάσταση

Σχέδιο 3, σελίδα 5.

Συνδέστε όλες τις πόρτες ρύθμισης της εξάρτυσης όταν ο χειριστής είναι ντυμένος.

Ρυθμίστε τα μήκη των διάφορων ιμάντων: ούτε υπερβολικά, ούτε ανεπαρκώς σφιγμένοι ώστε να πετύχετε τη μέγιστη άνεση κατά τη χρήση καθώς και τη βέλτιστη προστασία κατά των πτώσεων. Υπό αυτήν την προϋπόθεση θα προστατεύει αποτελεσματικά γ' αυτόν.

- Στο μέτρο του δυνατού, το δομικό σημείο αγκύρωσης θα βρίσκεται σε ύψος μεταξύ 1,5 και 2 μέτρων πάνω από τα πόδια του χειριστή. Το σημείο πρόσδεσης πρέπει να παρουσιάζει ελάχιστη αντοχή 12 kN.
- Η σύνδεση στο σημείο πρόσδεσης ή στη δομή πρέπει να γίνεται με σύνδεσμο EN 362.
- Για τη σύνδεση του συστήματος ανακρίσης πτώσης στην ολόσωμη εξάρτυση, αναφερθείτε στα εγχειρίδια της εξάρτυσης και του συστήματος ανακρίσης πτώσης ώστε να χρησιμοποιήσετε το σωστό σημείο ανάρτησης καθώς και τη σωστή μέθοδο πρόσδεσης σ' αυτό.



ΚΙΝΔΥΝΟΣ

Πριν και κατά τη χρήση, είναι απαραίτητο να έχετε προβλέψει πως θα εξασφαλιστεί αποτελεσματικά και ασφαλώς μια ενδεχόμενη διαδικασία διάσωσης/μέσα σε χρονικό διάστημα μικρότερο των 15 λεπτών. Πέρα από το διάστημα αυτό, ο χειριστής κινδυνεύει.

7. Στοιχεία και υλικά

Σχέδιο 1, σελίδα 3:

Ολόσωμη εξάρτυση - EN 361 - EN 358 - EN 1497

- Ιμάντας από PES.
- Ραχιαία πλάκα από PE.
- Οδηγός ιμάντα από ελαστομερές.
- Πόρτη ρύθμισης από χάλυβα.
- Πλαϊνός κρίκος πρόσδεσης από χάλυβα (σημείο ανακρίσης πτώσης, βλέπε σχέδιο 1, σελίδα 3).
- Στερνικός κρίκος πρόσδεσης από χάλυβα ή PES (σημείο ανακρίσης πτώσης, βλέπε σχέδιο 1, σελίδα 3).
- Ραχιαίος κρίκος πρόσδεσης από χάλυβα (σημείο ανακρίσης πτώσης, βλέπε σχέδιο 1, σελίδα 3).
- Υπογλουτιαίος ιμάντας από PES.
- Θωρακική πόρτη από PP.
- Ετικέτα σήμανσης.
- Σήμανση "A" των σημείων πρόσδεσης επάνω στον κρίκο σε σχήμα D ή στον ιμάντα.
- Πλαϊνός κρίκος πρόσδεσης από χάλυβα (σημείο συγκράτησης, βλέπε σχέδιο 1, σελίδα 3).
- Ραχιαίο μαξιλάρκι υποστήριξης από αφρώδες υλικό PE και ύφασμα.
- Ετικέτα σήμανσης.
- Κρίκος ανάρτησης εργαλειοθήκης από POM.
- Πόρτη ρύθμισης από χάλυβα.
- Οδηγός ιμάντα από ελαστομερές.
- Ιμάντας διάσωσης.
- Ετικέτα ιμάντα διάσωσης.
- Κρίκος σε σχήμα D πρόσδεσης για διάσωση.
- Κεντρικός κρίκος πρόσδεσης ζώνης.
- Ιμάντας + νήματα ραφής: πολυεστέρας.
- Πόρτες από χάλυβα με επιστρωση ψευδαργύρου και από αλουμίνιο.
- Μαξιλάρκι πλάτης από αφρολέξ επενδυμένο με cordura,
- Ραχιαία πλάκα, οδηγός ιμάντα: πολυαιθυλένιο, θερμοπλαστικό ελαστομερές.

8. Σχετικός εξοπλισμός

Σύστημα προστασίας από πτώσεις (EN 363):

- Πρόσδεση (EN 795).
- Ένας ακραίος σύνδεσμος (EN 362).
- Ένα σύστημα προστασίας από πτώσεις (EN 353-1/2 - EN 355 - EN 360).

- Ένας σύνδεσμος (EN 362).
 - Μια ολόσωμη εξάρτηση (NF EN 361).
- Πριν από τη χρήση ενός συστήματος προστασίας από πτώσεις EN 363, βεβαιωθείτε πως το καθένα από τα στοιχεία του εξοπλισμού είναι κατάλληλο για χρήση και λειτουργεί σωστά.

9. Αποθήκευση και συντήρηση

- Αν μια εξάρτηση είναι βρώμικη, πρέπει να πλυθεί με καθαρό και κρύο νερό, ενδεχομένως με κάποιο απορρυπαντικό για ευπαθή υφάσματα, χρησιμοποιήστε συνθετική βούρσα.
- Αν κατά τη διάρκεια της χρήσης ή του πλυσίματος, η εξάρτηση βραχεί, πρέπει να την αφήσετε να στεγνώσει φυσικά στη σκιά και μακριά από κάθε πηγή θερμότητας. *Βλέπε σχέδιο 5, σελίδα 5.*
- Κατά τη μεταφορά και την αποθήκευση, προστατεύστε τον εξοπλισμό από κάθε κίνδυνο (αιχμηρά άκρα, άμεση πηγή θερμότητας, χημικά προϊόντα, UV, ...).

10. Συμμόρφωση ΕΕ του εξοπλισμού

Η εταιρεία Tractel SAS, RD 619 - Saint-Hilaire-sous-Romilly - F - 10102 Romilly-sur-Seine - France, δηλώνει με το παρόν πως ο περιγραφόμενος στις παρούσες οδηγίες εξοπλισμός ασφαλείας,

- είναι σύμφωνος με τις διατάξεις του Κανονισμού (ΕΕ) 2016/425 του Ευρωπαϊκού Κοινοβουλίου του Μαρτίου 2016.
- είναι ίδιος με το ΜΑΠ που υπήρξε αντικείμενο βεβαίωσης τύπου "ΕΕ" η οποία εκδόθηκε από τη ΑΡΑΥΕ SUEDEUROPE SAS - CS 60193 - 13322 Marseille - France, με αριθμό αναγνώρισης 0082, και δοκιμασμένος σύμφωνα με τα πρότυπα EN 361 του 2002 και EN 358 του 2018,
- υπόκειται στη διαδικασία που ορίζει το Παράρτημα VIII του Κανονισμού (ΕΕ) 2016/425 του Ευρωπαϊκού Κοινοβουλίου, ενότητα Δ., υπό τον έλεγχο κοινοποιημένου φορέα: ΑΡΑΥΕ SUEDEUROPE SAS - CS 60193 - 13322 Marseille - France, με αριθμό αναγνώρισης 0082.

11. Σήμανση

Η ετικέτα της κάθε ολόσωμης εξάρτησης ΗΤ/ΕΤ και κάθε ζώνης συγκράτησης στη θέση εργασίας CE, επισημαίνει:

- α. το εμπορικό σήμα: Tractel®,
- β. την ονομασία του προϊόντος,
- γ. Το πρότυπο αναφοράς και το έτος εφαρμογής,
- δ. Τον κωδικό αναφοράς του προϊόντος,
- ε. Το λογότυπο CE με τον αριθμό 0082, αριθμός αναγνώρισης του κοινοποιημένου οργανισμού που παρεμβαίνει στη φάση του ελέγχου της παραγωγής,
- φ. Έτος και μήνα κατασκευής,
- γ. το σειριακό αριθμό,
- η. ένα εικονοσύμβολο που επισημαίνει πως πρέπει να διαβάσετε το εγχειρίδιο πριν τη χρήση,
- ω. Μέγιστο φορτίο χρήσης.

Οι ολόσωμες εξάρσεις ΗΤ R διαθέτουν επίσης μια ετικέτα η οποία βρίσκεται κοντά στο D ανάρτησης του μάντα διάσωσης, και φέρει:

- ι. το εμπορικό σήμα,
- ι. το πρότυπο αναφοράς και το έτος εφαρμογής,
- κ. το εικονοσύμβολο που σας υπενθυμίζει πως πρέπει να διαβάσετε το εγχειρίδιο χρήσης πριν τη χρήση.

12. Περιοδικός έλεγχος

Ο ετήσιος περιοδικός έλεγχος είναι υποχρεωτικός, ωστόσο ανάλογα με τη συχνότητα χρήσης, τις περιβαλλοντικές συνθήκες και τον κανονισμό της επιχείρησης ή της χώρας χρήσης, ο περιοδικός έλεγχος μπορεί να πραγματοποιούνται συχνότερα.

Οι περιοδικοί έλεγχοι πρέπει να πραγματοποιούνται από εξουσιοδοτημένο και αρμόδιο τεχνικό και τηρουμένων των διαδικασιών ελέγχου του κατασκευαστή που καταγράφονται στο αρχείο "Οδηγίες ελέγχου των ΜΑΠ της Tractel®".

Ο έλεγχος της αναγνωσιμότητας της σήμανσης επάνω στο προϊόν αποτελεί αναπόσπαστο τμήμα του περιοδικού ελέγχου. Μετά το πέρας του περιοδικού ελέγχου, η απόδοση σε χρήση πρέπει να ανακινωθεί εγγράφως από τον εξουσιοδοτημένο και αρμόδιο τεχνικό ο οποίος πραγματοποίησε τον περιοδικό έλεγχο. Αυτή η απόδοση σε χρήση του προϊόντος πρέπει να καταγραφεί στο δελτίο ελέγχου το οποίο βρίσκεται στο μέσο του παρόντος εγχειριδίου. Αυτό το δελτίο ελέγχου πρέπει να διατηρηθεί καθ' όλη τη διάρκεια ζωής του προϊόντος, μέχρι την απόσυρσή του.

Αφού αποτρέψει πτώση, αυτό το υφασμάτινο προϊόν πρέπει υποχρεωτικά να απομακρυνθεί και να καταστραφεί, ακόμη και αν δεν παρουσιάζει κάποια ορατή αλλοίωση.

13. Διάρκεια ζωής

Τα υφασμάτινα ΜΑΠ της TRACTEL® όπως οι ολόσωμες εξάρσεις, οι αναδέτες, τα σχοινιά, οι αποσβεστήρες, τα μηχανικά ΜΑΠ της TRACTEL® όπως οι ανακίπτες πτώσης storcable™ και storfor™ και οι ανακίπτες πτώσης επαναφορμένου τύπου blocfor™, και οι γραμμές ζωής TRACTEL® μπορούν να χρησιμοποιούνται υπό την προϋπόθεση ότι από την ημερομηνία κατασκευής τους θα αποτελούν αντικείμενο:

- κανονικής χρήσης τηρουμένων των συστάσεων χρήσης του παρόντος εγχειριδίου,
- περιοδικού ελέγχου που πρέπει να πραγματοποιείται τουλάχιστον 1 φορά το χρόνο από εξουσιοδοτημένο και αρμόδιο τεχνικό. Μετά το πέρας αυτού του περιοδικού ελέγχου, πρέπει να δηλώνεται εγγράφως η καταλληλότητα του ΜΑΠ για απόδοση σε χρήση.
- αυστηρής τήρησης των συνθηκών αποθήκευσης και μεταφοράς που αναφέρονται στο παρόν εγχειρίδιο.
- Κατά γενικό κανόνα και στο μέτρο που τηρούνται οι συνθήκες που αναφέρονται ανωτέρω, η λειτουργική ζωή τους ενδέχεται να υπερβαίνει τα 10 έτη..

14. Απόρριψη

Κατά την απόρριψη του προϊόντος, η ανακύκλωση των διαφόρων συστατικών μερών του, μέσω διαλογής των μεταλλικών υλικών και μέσω διαλογής των συνθετικών υλικών, είναι υποχρεωτική. Τα υλικά αυτά πρέπει να ανακυκλώνονται από εξειδικευμένους οργανισμούς. Κατά την απόρριψη, η αποσυναρμοδολόγηση, για τον διαχωρισμό των συστατικών μερών, πρέπει να πραγματοποιείται από αρμόδιο άτομο.

Όνομα και διεύθυνση κατασκευαστή:

Tractel SAS - RD 619 - BP 38
Saint Hilaire sous Romilly
10102 Romilly sur Seine
Γαλλία

1. Viktige instruksjer

1. Sikkerhetsselene HT/ET utgjør et element i fallstoppsystemet, sikkerhetsselene HT R utgjør et element i fallstoppsystemet som kan brukes til redning. De oppfyller normene EN 361/EN 1497, og kan kombineres med CE-beltene i henhold til normen EN 358. Disse to utstyrstypene kan bare brukes av en eneste person som har fått egnet opplæring i bruk av utstyret og/eller er kompetent til å bruke det, eller av en operatør som en slik person har direkte ansvar for.
2. Før HT/ET-sikkerhetsselen tas i bruk er det helt nødvendig for driftssikkerhet og effektiv bruk av utstyret at brukeren har lest og forstått opplysningene i bruksanvisningen fra Tractel® SAS. Bruksanvisningen må oppbevares slik at den alltid er tilgjengelig for alle brukere. Tilleggs eksemplarer kan skaffes på forespørsel. Det anbefales å utføre en første hengeprøve på et sikkert sted, for å forsikre seg om at sikkerhetsselen er riktig justert og har et akseptabelt komfortnivå i forhold til bruken den er beregnet på.
3. Før sikkerhetsutstyret tas i bruk, er det absolutt nødvendig å ha fått egnet opplæring i bruk av utstyret. Sjekk standen på det tilknyttede utstyret og forsikre deg om det er tilstrekkelig fri høyde.
4. Dersom en sikkerhetssele ikke er i synlig god stand, må den kontrolleres av Tractel® SAS, eller av en kompetent og godkjent tekniker som må gi sitt skriftlige samtykke til at systemet kan tas i bruk igjen. Det anbefales å foreta en visuell kontroll av linen før hver bruk.
5. Enhver modifikasjon eller tilføyelse av anordninger på utstyret kan ikke utføres før man på forhånd har fått skriftlig samtykke fra Tractel® SAS. Utstyret må transporteres og oppbevares i originalemballasjen.
6. Enhver sikkerhetssele som ikke er blitt underlagt periodisk kontroll i løpet av de 12 siste månedene, må ikke brukes. Den kan først tas i bruk igjen når en kompetent og godkjent tekniker har foretatt en ny periodisk kontroll, og gitt sitt skriftlige samtykke til at den tas i bruk. Dersom kontroll ikke er utført og tillatelse ikke gitt, må selen tas ut av bruk og kasseres. En sele som har stanset et fall må tas ut av bruk og kasseres.
Hvis den har stanset et fall, må den tas ut av bruk og kasseres
7. Den maksimale brukslasten er på 150 kg for HT/ET-selene og CE støttebeltene til opprettholdelse i arbeidsposisjon.
8. Dersom brukermassen pluss massen av brukerens utstyr og verktøy er på mellom 100 kg og 150 kg, er det svært viktig å forsikre seg om at denne totale massen (bruker + utstyr + verktøy) ikke overstiger den maksimale brukslasten for hvert av elementene som utgjør fallstoppsystemet.
9. Dette utstyret passer til bruk på arbeidsplasser i friluft og innenfor et temperaturområde på mellom -30°C og +60°C. Unngå enhver kontakt med skarpe kanter, sliperende overflater, kjemiske produkter.
10. Viktig: dersom du skulle låne bort dette materialet til en lønnsmottaker eller tilsvarende, må dette skje i overensstemmelse med gjeldende arbeidslovgivning
11. Operatøren må være i god fysisk og psykisk form når han/hun bruker utstyret. Dersom det skulle være tvil om dette, må lege/bedriftslege oppsøkes. Forbudt for gravide kvinner.
12. Utstyret må ikke brukes ut over sine bruksgrenser, eller i andre situasjoner enn det det er forutsatt for: jfr. "4. Funksjoner og beskrivelse".
13. Det anbefales at sikkerhetsselen sies personlig til hver operatør, spesielt hvis det gjelder lønnsmottakere.

14. Før et fallstoppsystem etter standarden NF EN 363 tas i bruk, må brukeren forsikre seg om at alle komponenter er i god stand og fungerer som de skal: sikkerhetssystem, låser. Når disse settes på plass, må man forsikre seg om at ikke sikkerhetsfunksjonene forringes.

15. I et fallstoppsystem er det ytterst viktig for sikkerheten å kontrollere den nødvendige, frie høyden under brukeren på arbeidsstedet før hver bruk, slik at det i tilfelle fall ikke finnes hindringer eller gjenstander i fallsonen, samt at brukeren ikke vil kollidere med bakken.

Figur 4 c, side 5.

- ▶ h1 må ligge mellom 0 m og 1.5 m.
- ▶ h2 må minst være lik 1 m.
- ▶ t er det minste frie høyden under operatørens føtter.

Den varierer med fallsikringsystemet som er koblet til selen:

- For en blocfor™, t = minst 3 m.
 - For en stopfor™, t = minst 4 m.
 - For en line med energidemper, t = minst 6 m.
 - For en stopcable™ (EN 353-1), t = minst 2 m.
 - For en stopcable™ (EN 353-2), t = minst 4 m.
16. Det er svært viktig å vedlikeholde og oppbevare selen i samsvar med instruksene i bruksanvisningen. Dersom ikke instruksene i avsnittet for vedlikehold og oppbevaring blir respektert; kan det ha en negativ innvirkning på selens levetid.
17. Det er svært viktig for operatørens sikkerhet at systemet eller forankringspunktet er riktig plassert, og at arbeidet blir utført på en slik måte at risikoen for fall og høyden på fallet, blir redusert til et minimum.
18. Dersom produktet selges utenfor det landet det først er beregnet på, er det svært viktig for operatørens sikkerhet at forhandleren leverer med: bruksanvisningen, instruksjonene for vedlikehold og periodisk kontroll, samt instruksene angående reparasjon, på det språket som snakkes i det landet produktet skal brukes.



MERK

For en hver spesialbruk, ikke nøl med å ta kontakt med TRACTEL®-nettverket.

2. Definisjoner og piktogrammer

2.1 Definisjoner

"Bruker": Person eller avdeling som er ansvarlig for styringen og sikkerheten ved bruk av det produktet som beskrives i denne manualen.

"Tekniker": Kvalifisert person med ansvar for de vedlikeholdsoperasjoner som blir beskrevet og tillates for brukeren i henhold til denne manualen, og som er kompetent og godt kjent med produktet.

"Operatør": Person som opererer innenfor bruken av produktet i overensstemmelse med anvendelsen av dette.

"PVU": Personlig verneutstyr mot fall fra høyder.

"Kopling": Kopplingselement mellom komponenter i et fallstoppsystem. Det er i samsvar med standarden EN 362.

"Sikkerhetssele": Anordning for oppfangning av kroppen forutsatt for å stanse fall. Det består av seler og spennere. Det omfatter festeelementer i fallstoppsystemet merket med en **A** dersom de kan brukes alene, eller med **A/2**, dersom de må brukes sammen med et annet punkt merket **A/2**. Den er i samsvar med standarden EN 361.

“Maksimal brukslast”: Maksimal masse av brukeren med klær, utstyr med PVU, arbeidsklær, verktøy og andre komponenter brukeren trenger for øy og andre komponenter brukeren trenger for å utføre inngrepet.

“Fallstoppssystem”: System bestående av følgende elementer:

- Sikkerhetssele.
- Fallsikring med automatisk rappell eller falldemper eller mobil fallsikring på stiv sikring eller mobil fallsikring på fleksibel sikring.
- Forankring.
- Forbindelseselement.

“Element i fallsikringssystemet”: Generell term som definerer et av de følgende elementene:

- Sikkerhetssele.
- Fallsikring med automatisk rappell eller falldemper eller mobil fallsikring på stiv sikring eller mobil fallsikring på fleksibel sikring.
- Forankring.
- Forbindelseselement.

2.2. Piktogrammer



FARE: Det er plassert på begynnelsen av linjen, og angir instruksjoner som er gitt for å unngå skader på personer, herunder dødelige, alvorlige eller lette skader, samt skader på miljøet.



VIKTIG: Det er plassert på begynnelsen av linjen, og angir instruksjoner som er gitt for å unngå feil eller skade på utstyret, men som ikke setter operatørens eller andre personers liv direkte i fare, og/eller som ikke vil føre til skade på miljøet.



MERK: Det er plassert på begynnelsen av linjen, og angir instruksjoner som er gitt for å sikre at en installasjon, bruk eller vedlikeholdsoperasjon blir så effektiv eller bekvemmelig som mulig.

3. Bruksbetingelser

Kontroll før bruk:

- Visuell inspeksjon av selen, stroppene, sømmene, spennene. Stroppen og trådene i sømmen må ikke oppvise spor etter gnidning, opprevling, brenn- eller kuttskader. Reguleringsselementene, spennene, må ikke ha spor etter rust eller deformering og må fungere riktig. Ved tvil må produktet tas ut av bruk øyeblikkelig.
- Kontroller standen til tilleggsutstyr, sikkerhetssele og koplinger.
- Kontroller hele fallstoppssystemet.

4. Funksjoner og beskrivelse



VIKTIG: HT/ET-selene er beregnet på å opprette et festepunkt på operatøren for å utstyre vedkommende med et fallsikringssystem som vil beskytte ham eller henne under arbeid i høyden. En sikkerhetssele er den eneste gripeanordningen som det er tillatt å bruke i et fallsikringssystem.

CE støttebeltene er systemer for opprettholdelse i arbeidsposisjon.



FARE: CE støttebeltene må ikke brukes som beskyttelse mot fall fra høyde.

Den maksimale brukslasten er på 150 kg for HT/ET-selene og CE støttebeltene til opprettholdelse i arbeidsposisjon.

Før bruk er det svært viktig å forsikre seg om at alle elementene i fallstoppssystemet er i overensstemmelse med med denne lasten ved å lese de respektive bruksanvisningene.

Dersom det ikke er tilfellet, vil den maksimale lasten være lasten til det elementet i fallstoppssystemet som har den laveste maksimale brukslasten.

Det finnes flere bruksmåter alt etter seletypen:

- Sele med ryggfeste: fallsikring for arbeid i høyden.
- Sele med rygg- og brystfeste: som for sele med ryggfeste + arbeid der operatøren holdes igjen, sikring ved oppstigning på stige osv.
- Sele med beltefeste: fallsikring alt etter type og tilgjengelige festepunkter, beltefeste for å holde samme arbeidsposisjon. I et system for opprettholdelse i arbeidsposisjon, må linjen holdes strammet, og fri bevegelse må begrenses til maks. 0.6 m.
- HT R-selene ligner på HT-selene, men har en ekstra påsydd sikkerhetsline. Denne linjen gjør det mulig for redningsmannskapene å foreta berging under sikre forhold. Selene har en etikett som angir at sikkerhetslinjen kun skal brukes til berging. Etiketten sitter nær sikkerhetslinns D-ring.
- Sikkerhetssele Ladytrac™ er hovedsakelig forutsett for kvinner. De er blitt spesiallaget og patentert for å kunne tilpasse seg kvinnelige former. Disse sikkerhetsseleene er utstyrt med en vest som gjør de enkle å ta på seg.
- Sikkerhetssele HT120 har et festepunkt på brystet som er plassert for å kunne kople seg til en fallsikring på skinn for stige. Brystfestepunktet har den egenskapen at det forskyver seg under et fall ved at en søm slitte i stykker. Prinsippet er patentert. Da punktet er spesielt plassert for denne bruken, vil det ikke sjenerer brukeren ved oppstigning og nedstigning.

Se tabell over forankringspunkter på side 2.



FARE

Fallsikring må ikke utføres ved hjelp av beltets sidefestepunkter - disse skal kun brukes sammen med en støtteline (EN 358) i arbeidssituasjoner hvor man “står stille” (EN 358) eller festepunktet på redningslinjen (EN 1497), som kun skal brukes til evakuering.

Tegning 4 (a, c, d), side 6.



FARE: Ikke bruk selene til andre formål enn beskyttelse mot fall fra høyde. Bruk av selene til fritids- eller sportsaktiviteter er forbudt.

5. Kontraindikasjoner for bruk

Det er strengt forbudt å:

- installere eller bruke en HT/ET-sikkerhetssele eller et CE støttebelte for opprettholdelse i arbeidsposisjon uten tillatelse, opplæring eller egnet kompetanse, eller dersom dette ikke er tilfellet, uten å være under en autorisert, opplært og kompetent persons ansvar.
- bruke en HT/ET-sikkerhetssele eller et CE støttebelte for opprettholdelse i arbeidsposisjon dersom merkingen ikke er leselig.
- installere eller bruke en HT/ET-sikkerhetssele eller et CE støttebelte for opprettholdelse i arbeidsposisjon som ikke har vært gjenstand for forhåndskontroll.

- bruke en HT/ET-sikkerhetssele eller et CE støttebelte for opprettholdelse i arbeidsposisjon som ikke har vært gjenstand for periodisk kontroll for mindre enn 12 måneder siden av en tekniker som har gitt sin skriftlige tillatelse til å ta den i bruk igjen.
- bruke HT/ET-sikkerhetssele eller CE støttebelte for opprettholdelse i arbeidsposisjon til enhver annen bruk enn personbeskyttelse mot fall fra høyder.
- bruke CE støttebelte for opprettholdelse i arbeidsposisjon til enhver annen bruk enn opprettholdelse i arbeidsposisjon.
- å feste en HT/ET sikkerhetssele på noen annen måte enn i festepunktet merket **A** eller **A/2**.
- bruke en HT/ET-sikkerhetssele eller et CE støttebelte for opprettholdelse i arbeidsposisjon på en annen måte en slik det blir definert i avsnitt "13. Levetid".
- bruke en HT/ET-sikkerhetssele eller et CE støttebelte for opprettholdelse i arbeidsposisjon med en last på mellom 100 kg og 150 kg (totalmasse av bruker, brukerens utstyr og dennes verktøy) dersom et element i fallstoppsystemet har en lavere maksimal brukslast.
- bruke en HT/ET-sikkerhetssele dersom den har satsnet og personfall.
- bruke en HT/ET-sikkerhetssele eller et CE støttebelte for opprettholdelse i arbeidsposisjon utenfor temperaturområdet som er spesifisert i denne bruksanvisningen.
- bruke en HT/ET-sikkerhetssele dersom den fri høyden ikke er tilstrekkelig i tilfelle fall av personen.
- bruke en HT/ET-sikkerhetssele eller et CE støttebelte for opprettholdelse i arbeidsposisjon dersom man ikke er i god fysisk form.
- bruke en HT/ET-sikkerhetssele eller et CE støttebelte for opprettholdelse i arbeidsposisjon dersom man er gravid kvinne.
- bruke en HT/ET-sikkerhetssele eller et CE støttebelte for opprettholdelse i arbeidsposisjon dersom sikkerhetsfunksjonen til et av tilleggsutstyrene påvirkes av sikkerhetsfunksjonen til et annet produkt eller griper inn i denne.
- forankre en HT/ET-sikkerhetssele eller et CE støttebelte for opprettholdelse i arbeidsposisjon til et strukturelt forankringspunkt hvis resistens er mindre enn 12 kN, eller antatt å være det.
- foreta reparasjoner eller vedlikeholdsoperasjoner på en HT/ET-sikkerhetssele eller et CE støttebelte for opprettholdelse i arbeidsposisjon.
- bruke en HT/ET-sikkerhetssele eller et CE støttebelte for opprettholdelse i arbeidsposisjon dersom den/det ikke er komplett, er blitt demontert på forhånd eller komponentene er blitt skiftet.

6. Installasjon

Tegning 3, side 5.

Sett sammen alle justeringsspennene på sikkerhetssele når operatøren er påkledd.

Juster lengden på de forskjellige stroppene: verken for sterk eller for svak stramming for å oppnå maksimal komfort ved bruk samt optimal fallsikring. Bare slik gir selen effektiv beskyttelse.

- Det strukturelle forankringspunktet skal, i den utstrekningen det er mulig, befinne seg ved en høyde på mellom 1,5 og 2 meter over operatørens føtter. Det strukturelle forankringspunktet må ha en minimumsmotstand på 12 kN.

- Tilkoplingen til forankringspunktet eller strukturen, må utføres ved hjelp av en EN 362-kopling.
- For tilkopling av fallstoppsystemet til fallsikringssele, se bruksanvisningene for selen og fallstoppsystemet fallsikringsbruksanvisninger for å bruke det riktige festepunktet samt den riktige fremgangsmåten for feste.



FARE

Før bruk og under bruk, må du tenke på hvordan en eventuell redningsaksjon vil kunne bli utført på en effektiv og sikker måte innen 15 minutter. Ut over denne tidsfristen er operatøren i fare.

7. Komponenter og materialer

Tegning 1, side 3: Seler - EN 361 - EN 358 - EN 1497.

- PES-stropp.
 - PE-ryggplate.
 - Elastomerhempe.
 - Justeringsspenne i stål
 - Sidefeste i stål (fallsikringspunkt, jfr. tegning 1, side 3).
 - Brystfeste i stål eller PES (fallsikringspunkt, jfr. tegning 1, side 3).
 - Ryggfeste i stål (fallsikringspunkt, jfr. tegning 1, side 3).
 - Setestropp i PES.
 - Brystspenne i PP.
 - Merkingsetikett.
 - "A"-merking, festepunkter, på D-ringen eller stroppen.
 - Sidefeste i stål (holdepunkt, jfr. tegning 1, side 3).
 - Ryggstøtte i PE og stoff.
 - Merkingsetikett.
 - Driftsring i POM.
 - Justeringsspenne i stål.
 - Elastomerhempe.
 - Bergingsstropp.
 - Etikett sikkerhetsline.
 - D-ringsfeste for berging.
 - Midtfeste på belte.
- Stropp + tråder i søm: polyester.
 - Spenner av forsinket stål og aluminium.
 - Rygg av skumgummi dekket med cordura.
 - Ryggplate, hemper: polyetylen, varmeplastelastomer.

8. Tilleggsutstyr

Fallstoppsystem (EN 363):

- Forankring (EN 795).
- En endekopling (EN 362).
- Et fallsikringsystem (EN 353-1/2 - EN 355 - EN 360).
- En kopling (EN 362).
- En sikkerhetssele (NF EN 361).

Før fallstoppsystemet EN 363 tas i bruk, må det kontrolleres at hvert utstyr kan brukes og at det fungerer korrekt.

9. Vedlikehold og oppbevaring

- Dersom selen er skitten, må den rengjøres i rent og kaldt vann, eventuelt med et vaskemiddel for ømfintlige tekstiler. Bruk en syntetisk børste.
- Dersom en sele er blitt fuktig i løpet av bruk eller under vask, må den tørkes naturlig i skyggen og langt fra enhver varmekilde.

Se figur 5, side 5.

- Under transport og oppbevaring, må utstyret beskyttes mot enhver risiko for skader (skarpe kanter, direkte varmekilde, kjemiske produkter, UV-stråler, ...).

10. Utstyrets konformitet

Selskapet Tractel SAS. RD 619 - Saint-Hilaire-sous-Romilly - F-10102 Romilly-sur-Seine - France, erklærer med dette at det sikkerhetsutstyret som beskrives i denne bruksanvisningen.

- er i overensstemmelse med reglene i Europaparlamentets forordning (EU) 2016/425 av mars 2016
- er identiske med PVU som har vært gjenstand for type-attesteringene "EU" utstedt av APAVE SUDEUROPE SAS - CS 60193 - 13322 Marseille - France, identifisert med nummeret 0082, og testet i henhold til normene EN 361 fra 2002 og EN 358 fra 2018,
- blir underlagt den prosedyren som beskrives i vedlegg VIII til Europaparlamentets forordning (EU) 2016/425, modul D, og under kontroll av en bemyndiget organisasjon: APAVE SUDEUROPE SAS - CS 60193 - 13322 Marseille - France, identifisert med nummeret 0082.

11. Merking

Etikettene for hver av HT/ET-selene og hvert av CE-beltene angir:

- a: Handelsmerket: Tractel®
 - b: Produktets navn,
 - c: Referansestandarden etterfulgt av året for ikrafttredelse,
 - d: Produktets referanse,
 - e: Logoen CE etterfulgt av nummeret 0082, identifikasjonsnummeret til bemyndiget organisasjon med ansvar for produksjonskontrollen,
 - f: Fabrikasjonsåret og -måneden,
 - g: Serienummeret,
 - h: Et piktogram som betyr at bruksanvisningen må leses før bruk,
 - w: Maksimal bruksbelastning.
- HT R-selene har i tillegg en etikett nær sikkerhetslinens feste. Denne etiketten inneholder:
- i: Handelsmerke,
 - j: Referansenorm samt innføringsår,
 - k: Piktogram som angir at bruksanvisningen må leses før bruk.

12. Periodisk kontroll

Det er nødvendig med en årlig kontroll, men i forhold til hvor ofte produktet blir brukt, miljøbetingelsene og bedriftens eller brukslandets egne regelverk, kan kontrollenes hyppighet være oftere.

De periodiske kontrollene må kun utføres av kompetente og godkjente teknikere i overensstemmelse med fabrikantens kontrollmetoder som er nedtegnet i dokumentet «Instruks for kontroll av PVU fra Tractel®».

Sjekke at merkingen på produktet er leselig, utgjør en obligatorisk del av den periodiske kontrollen.

Etter at den periodiske kontrollen er blitt utført, kan utstyret kun tas i bruk igjen etter at den kompetente og godkjente teknikeren som har foretatt kontrollen, har gitt sitt skriftlige samtykke til det. Når produktet tas i bruk igjen, må dette registreres på kontrollskjemaet som finnes på midtsiden av denne bruksanvisningen. Dette kontrollskjemaet må oppbevares gjennom hele produktets levetid, helt til det tas ut av bruk og kasseres.

Etter at dette tekstilproduktet har stanset et fall, må det obligatorisk tas ut av bruk og kasseres, selv om det ikke har noen synlige forringelser.

13. Levetid

PVU i tekstil fra Tractel® som seler, liner, stropper, tau og falldempere, mekanisk PVU fra Tractel® som fallsikringene stopcable™ og stopfor™, blocfor™ fallsikringer med automisk rappell og Tractel® livlinjer kan med forbehold brukes fra deres fabrikkasjonsdato kun dersom de er gjenstand for:

- normal bruk innenfor rammen av instruksene for bruk i denne anvisningen.
- en periodisk kontroll som må utføres minst 1 gang i året av en kompetent og godkjent tekniker. Det er kun etter at den periodiske kontrollen er blitt utført, at PVU kan bli skriftlig godkjent til å tas i bruk igjen.
- nøye overholdelse av de betingelsene for oppbevaring og transport som er angitt i denne anvisningen.
- Som en generell regel og så lenge bruksbetingelsene som er angitt ovenfor respekteres, kan deres levetid være lengre enn 10 år.

14. Kassering

Når produktet skal kasseres, er det obligatorisk å resirkulere de ulike komponentene ved å sortere materialer i metall og syntetiske materialer. Disse materialene skal leveres inn til resirkulering hos spesialbedrifter. Ved kassering av produktet må demonteringen foretas av en kompetent person som kan skille de ulike bestanddelene fra hverandre.

Produsentens navn og adresse:
Tractel SAS - RD 619 - BP 38
Saint Hilaire sous Romilly
10102 Romilly sur Seine
Frankrike

1. Viktiga regler

- HT/ET selarna utgör en del av fallskyddssystemet, HT R selarna är en del av fallskyddssystemet som kan användas för rädning. De överensstämmer med standarderna EN 361/EN 1497, och kan kopplas till CE-bälten som uppfyller standarden EN 358. Båda dessa typer av utrustning får bara användas av en och samma person, utbildad och/eller behörig eller av en operatör under direkt överinseende av dessa personer.
- Innan användarna använder en HT/ET-sele är det viktigt för utrustningens användningssäkerhet och dess effektivitet att de noga läser igenom och förstår instruktionerna i bruksanvisningen som tillhandahålls av Tractel® SAS. Bruksanvisningen ska medfölja och förvaras tillgängligt för användare. Extra exemplar kan tillhandahållas på begäran. Det är rekommenderat att göra ett första upphängningstest på ett säkert ställe, för att försäkra sig om att selen är ordentligt justerad och sitter tillräckligt bekvämt för avsedd användning.
- Före användning av denna säkerhetsutrustning måste användaren få utbildning i hur skyddsutrustningen används. Kontrollera tillhörande utrustningars skick och försäkra dig om att den vertikala fria höjden är tillräcklig.
- Om en sele inte är openbart i gott skick, måste den kontrolleras av Tractel® SAS eller av en behörig och kompetent tekniker som skriftligen måste tillåta att åter ta systemet i bruk. Det är rekommenderat att göra en visuell kontroll före varje användning.
- Ändringar av eller tillsatser till utrustningen får bara göras med Tractel® SAS. skriftliga förhandsmedgivande. Utrustningen skall transporteras och förvaras i sin originalförpackning.
- En sele som inte genomgått en regelbunden översyn under de senaste 12 månaderna, får inte användas. Den får bara användas igen efter en ny regelbunden översyn utförd av en behörig och kompetent tekniker som skriftligen ska godkänna dess användning. Utan denna översyn och detta tillstånd ska selen skrotas och förstöras. Om den har använts för fallskydd måste den skrotas och förstöras.
- Den maximala arbetsbelastningen uppgår till 150 kg för HT/ET-selar och bälten som håller operatören kvar vid CE-arbetsplatsen.
- Om användarens vikt, utökad med vikten av dennes utrustning och verktyg, ligger mellan 100 kg och 150 kg, måste man försäkra sig om att den sammanlagda vikten (användare + verktyg + utrustning) inte överstiger den maximala arbetslasten av var och en av de komponenter som ingår i fallskyddssystemet.
- Utrustningen lämpar sig för användning på en utomhusarbetsplats och för en temperaturintervall mellan -30°C och +60°C. Undvik kontakt med vassa kanter, skrovliga ytor och kemiska produkter.
- Viktigt: Följ gällande arbetslagstiftning om ni ansvarar för att ge denna utrustning till en anställd eller likställd person.
- Operatören måste vara i fullgod fysisk och psykisk kondition vid användning av denna utrustning. Om detta är tveksamt ska han eller hon konsultera en vanlig läkare eller företagsläkaren. Får ej användas av gravida kvinnor.
- Utrustningen får inte användas utöver de gränser som anges i anvisningen eller i en annan situation än den för vilken den har framtagits. Jfr. "4. Funktioner och beskrivning".
- Vi rekommenderar att personligen tilldela selen varje enskild operatör, i synnerhet om det gäller anställd personal.

- Före användning av ett fallskyddssystem NF EN 363 skall användarna säkerställa att alla beståndsdelar är i gott skick: säkerhetssystem och lösning. Vid installationen får inga skador förekomma på säkerhetsfunktionerna.
- I ett fallskyddssystem gäller det att kontrollera spelrummet under användaren på arbetsplatsen före all användning, så att det vid fall inte förekommer någon risk för kollision med marken eller med ett hinder på vägen ner.

Figur 4c, sida 5.

h1 ska ligga mellan 0 m och 1,5 m.

h2 ska vara lika med minst 1 m.

t motsvarar minsta säkerhetsmarginalen under operatörens fötter.

Den varierar enligt vilken typ av fallskyddsutrustning som är kopplad till selen:

- För ett blocfor™, t = minst 3 m.
- För en stopfor™, t = minst 4 m.
- För en lina med falldämpare, t = minst 6 m.
- För ett stopcable™ (EN 353-1), t = minst 2 m.
- För ett stopcable™ (EN 353-2), t = minst 4 m.

- Selen måste skötas och förvaras enligt anvisningarna i denna bruksanvisning. Om skötsel- och förvaringsanvisningarna inte följs kan detta kraftigt minska selens livslängd.
- Det är ytterst viktigt för operatörens säkerhet att fallskyddssystemet eller förankringspunkten sitter rätt och att arbetet utförs på ett sätt som minimerar fallrisken och arbetshöjden.
- För operatörens säkerhet, om produkten säljs vidare utanför första destinationslandet, ska återförsäljaren tillhandahålla: en bruksanvisning, anvisningar för underhåll och periodiska inspektioner samt reparationsanvisningar på språket i det land produkten ska användas.



OBSERVERA

Kontakta Tractel-nätverket för alla särskilda tillämpningar.

2. Definitioner och symboler

2.1 Definitioner

"Användare": Person eller avdelning ansvarig för hantering och säkerhet vid användning av produkten som beskrivs i instruktionsboken.

"Tekniker": Kvalificerad person som ansvarar för underhållsarbeten beskrivna och tillåtna för användaren i denna instruktionsbok, som är behörig för och förtrogen med produkten.

"Operatör": Person som använder produkten i enlighet med avsett bruk.

"PSU": Personliga skyddsutrustningar mot fall från höjden.

"Kopplingsdon": Ett kopplingselement mellan komponenterna i ett fallskyddssystem. Det överensstämmer med EN 362 normen.

"Fallskyddssele": Gripanordning för människokroppen avsedd för fallskydd. Den innefattar remmar och spännen. Den innefattar A-märkta fallskyddsförankringspunkter om de kan användas för sig, eller märkta med A/2 om de ska användas tillsammans med en A/2-punkt. Den överensstämmer med EN 361 normen.

"Max arbetslast": Den fullt utrustade användarens maximala vikt, utrustad med sina PSU, sina arbetskläder, sina verktyg och de komponenter som behövs för att fullgöra dennes arbetsmoment.

"Fallskyddssystem": Uppsättning bestående av följande element:

- Fallskyddssele.
- Självindragande fallskydd eller energiuptagare eller rörligt fallskydd på styv stödhållare eller rörligt fallskydd på böjlig stödhållare.
- Förankring.
- Förbindningselement.

"Element i fallskyddssystemet": Allmän term som definierar något av följande element:

- Fallskyddssele.
- Självindragande fallskydd eller energiuptagare eller rörligt fallskydd på styv stödhållare eller rörligt fallskydd på böjlig stödhållare.
- Förankring.
- Förbindningselement.

2.2. Symboler



FARA: Placerad i början av raden, betecknar instruktioner avsedda att förhindra personskador, i synnerhet sådana med dödlig utgång, svåra eller lätta skador samt miljöskador.



VIKTIGT: Placerad i början av raden, betecknar instruktioner avsedda att förhindra ett funktionsavbrott eller en skada på utrustningen, men utan att direkt äventyra operatörens eller andra personers liv eller hälsa och/eller som inte kan orsaka miljöskador.



OBSERVERA: Placerad i början av raden, betecknar instruktioner avsedda att säkerställa effektiviteten och bekvämligheten hos en anläggning, vid en användning eller ett underhållsingrepp.

3. Användningsvillkor

Kontroll före användning:

- Visuellt granskning av selens, remmarnas, sömmarnas och spänneas skick. Remmen och sömmarnas trådar får inte ha märken av nötning, fransning, brännskador eller sprickor. Justeringsdelar och spännen får inte ha märken av korrosion, deformation och ska fungera på rätt sätt. Om detta är tveksamt ska användningen av produkten genast upphöra.
- Kontrollera den tillhörande utrustningens skick: säkerhetsselar och kopplingsanordningar.
- Kontrollera fallskyddssystemet i sin helhet.

4. Funktioner och beskrivning



VIKTIGT: HT/ET-selarna är till för att skapa en förankringspunkt på användaren för att kunna utrusta honom eller henne med ett fallskyddssystem som ska skydda mot fall vid höjdarbete. En säkerhetssele är det enda fallskyddet för användare som får ingå i ett fallskyddssystem.

CE-bälten är system som håller operatören kvar vid arbetsplatsen.



FARA: CE-bälten får inte användas som fallskydd från höjden.

Den maximala arbetslasten hos HT/ET-selar och bälten som håller operatören kvar vid CE-arbetsplatsen uppgår till 150 kg.

Före all användning måste man försäkra sig om att alla element i fallskyddssystemet är förenliga med denna last genom att stå upp i respektive bruksanvisning.

Om så inte är fallet, så blir maxlasten lasten hos det element i fallskyddssystemet som uppvisar minsta maximala arbetslast.

Användnings sättet beror på typ av sele:

- Sele med punkt på ryggen: fallskydd vid höjdarbete.
- Sele med punkt på bröstet och på ryggen: samma som med punkt på ryggen + kvarhållning vid arbetsplatsen, säkerhet på stege ...
- Sele med punkt på bältet: fallskydd beroende på typ och tillgängliga förankringspunkter, punkt på bältet för stöd vid arbetsplatsen. I ett system som håller kvar operatören vid arbetsplatsen, måste linan hållas sträckt och fri rörlighet måste begränsas till högst 0.6 m.
- HT R-selarna liknar HT-selarna men de är utrustade med en extra räddningslina som är fastsydd på axelbanden. Med hjälp av linan kan räddaren evakuera användaren under goda förhållanden. Selarna är försedda med en etikett i närheten av räddningslinans fästärning, som endast får användas vid räddning.
- Ladytrac™-selarna är framför allt avsedda för kvinnor. De har utformats särskilt och patenterats i syfte att vara anpassade för en kvinnlig kroppsform. Dessa selar är utrustade med en jacka vilket gör att de är lätta att ta på sig.
- HT120 selen har en fästpunkt på bröstkorgen särskilt utformad och utplacerad för att koppla upp sig till ett fallskydd på skenan för stege. Fästpunkten på bröstkorgen uppvisar egenskapen att den, vid fall, kan förflyttas genom att sömmen rivs upp. Principen är patentbelagd. Den är speciellt lägesreglerad för denna tillämpning och gör att operatören inte blir störd vid upp- eller nedstigning.

Se tabellen över förankringspunkterna på sidan 2.



FARA

Använd inte sidofästpunkterna på bältet, avsedda för kvarhållning vid arbetsplatsen (EN 358), som fästpunkt för fallskydd i kombination med en stöddlina (EN 358) inte heller räddningslinans fästpunkt (EN 1497) som endast är till för evakuering.

Figur 4 (a, c, d), sida 5.



FARA: Selar får inte användas på andra användningsområden än vid höjdarbete. Det är förbjudet att använda selarna inom ramen för en fritids- eller idrottsverksamhet.

5. Anvisningar om användningsförbud

Det är strängt förbjudet att:

- montera upp eller använda en HT/ET-sele eller ett bälte som håller operatören kvar vid CE-arbetsplatsen utan att ha behörighet därtill, utan att ha fått föregående utbildning och utan att vara erkänd som kompetent person eller i brist på detta: utan att stå under överinseende av en behörig person som fick motsvarande utbildning och är erkänd som kompetent därtill.
- använda en HT/ET-sele eller ett bälte som håller kvar operatören vid CE-arbetsplatsen om dess märkning är oläslig.

- montera upp eller använda en HT/ET-sele eller ett bälte som håller operatören kvar vid CE-arbetsplatsen som inte tidigare har kontrollerats.
- använda en HT/ET-sele eller ett bälte som håller operatören kvar vid CE-arbetsplatsen som inte varit föremål för en regelbunden översyn, sedan mindre än 12 månader, utförd av en tekniker som skriftligen tillåtit att åter ta den i bruk.
- använda en HT/ET-sele till all annan tillämpning än skyddsstillämpning mot fall från höjden för personer.
- använda ett bälte som håller operatören kvar vid CE-arbetsplatsen till all annan tillämpning än den som håller operatören kvar vid arbetsplatsen.
- att fästa HT/ET selen med något annat medel än dess fästpunkt märkt **A** eller **A/2**.
- använda en HT/ET-sele eller ett bälte som håller kvar operatören vid CE-arbetsplatsen i strid mot den information som definierats i avsnitt "13. Livslängd".
- använda en HT/ET-sele eller ett bälte som håller operatören kvar vid CE-arbetsplatsen av en person vars kroppsvikt, samt utrustning och verktyg, överstiger 150 kg.
- använda en HT/ET-sele eller ett bälte som håller operatören kvar vid CE-arbetsplatsen med en last som ligger mellan 100 kg och 150 kg (användarens totalvikt inklusive dennes utrustning och verktyg) om en beståndsdel i fallskyddssystemet uppvisar en lägre max arbetslast.
- använda en HT-sele som förhindrat fall av en person.
- använda en HT/ET-sele eller ett bälte som håller operatören kvar vid CE-arbetsplatsen utanför temperaturintervallen som står angivna i denna bruksanvisning.
- använda en HT-sele om säkerhetsmarginalen under selbäraren är otillräcklig ifall selbäraren skulle falla ner.
- använda en HT/ET-sele eller ett bälte som håller kvar operatören vid CE-arbetsplatsen om vederbörande inte är i fullgod fysisk kondition.
- använda en HT/ET-sele eller ett bälte som håller kvar operatören vid CE-arbetsplatsen om vederbörande är en gravid kvinna.
- använda en HT-sele eller ett bälte som håller kvar operatören vid CE-arbetsplatsen om säkerhetsfunktionen hos en av tillhörande detaljer påverkas av säkerhetsfunktionen hos en annan detalj som stör den.
- sätta fast en HT/ET-sele eller ett bälte som håller operatören kvar vid CE-arbetsplatsen med hjälp av ett fallskyddssystem vid en förankringspunkt i byggnadsstrukturen vars motståndskraft är lägre än 12 kN eller uppfattas som sådan.
- utföra reparations- eller underhållsinslag på en HT/ET-sele eller ett bälte som håller kvar operatören vid CE-arbetsplatsen.
- använda en HT/ET-sele eller ett bälte som håller operatören kvar vid CE-arbetsplatsen om den inte är komplett, om den tidigare demonterats eller om dess komponenter har bytts ut.

6. Montering

Figur 3, sida 5.

Sätt ihop selens samtliga reglerspännen när operatören är fullt påklädd.

Justera de olika remmarnas längd. De ska spännas lagom mycket för att ge maximal komfort vid användning och optimalt fallskydd. Det villkoret måste uppfyllas för att selen ska ge ett effektivt skydd.

- I mån av möjlighet, ska förankringspunkten i byggnadsstrukturen vara belägen på en höjd som ligger mellan 1,5 et 2 meter ovanför operatörens fötter. Förankringspunkten i byggnadsstrukturen skall ha en hållfasthet på minst 12 kN.

- Kopplingen till förankringspunkten eller strukturen skall ske med hjälp av en kopplingsanordning EN 362.
- För anslutning av fallskyddssystemet till fallskyddsselen, se instruktionerna för selen och fallskyddssystemet, för att använda rätt fästpunkt och rätt metod för att koppla fallskyddsutrustningen till selen.



Ni måste, före och under användningen, planera för på vilket sätt en eventuell räddning skulle kunna genomföras på ett effektivt och säkert sätt inom 15 minuter, vid livsfara för användaren. Utöver den tidsramen operatören är i fara.

7. Beståndsdelar och materialämnen

Figur 1, sida 3: Sele - EN 361 - EN 358 - EN 1497.

- Axelband i PES.
 - Ryggplatta i PE.
 - Hållare i elastomer.
 - Justerspänne i stål.
 - Sidofäste i stål (fallskyddspunkt, jfr figur 1, sida 3).
 - Bröstbensförankring i stål eller PES (fallskyddspunkt, jfr figur 1, sida 3).
 - Ryggfäste i stål (fallskyddspunkt, jfr figur 1, sida 3).
 - Skinkhållare i PES.
 - Bröstkorgsspänne i PP.
 - Märketikett.
 - Förankringspunktens "A"-märkning, på D-spännets eller bandet.
 - Sidofäste i stål (hållpunkt, jfr figur 1, sida 3).
 - Ryggstöd i PE-skum eller tyg.
 - Märketikett.
 - Servicering i POM.
 - Justerspänne i stål.
 - Hållare i elastomer.
 - Räddningsband.
 - Etikett till räddningslina.
 - D-format räddningsspänne.
 - Bältets mittenfäste.
- Bälte + systråd: polyester.
 - Spännerna i förzinkat stål och aluminium.
 - Ryggstöd i skum övertäckt med cordura.
 - Ryggplatta, hållare : polyetylen, termoplastisk elastomer.

8. Kompletterande utrustning

Fallskyddssystem (EN 363):

- Förankringspunkter (EN 795).
- En kopplingsanordning för ändpunkt (EN 362).
- Ett fallskyddssystem (EN 353-1/2 - EN 355 - EN 360).
- En kopplingsanordning (EN 362).
- En säkerhetssele (NF EN 361).

Innan du använder ett fallskyddssystem EN 363, kontrollera att var och en av utrustningarna är drift duglig och fungerar som den ska.

9. Skötsel och förvaring

- Om selen är smutsig ska den rengöras med rent kallt vatten. Tillsätt eventuellt ett tvättmedel för fintvätt. Använd en syntetisk borste.
- Om selen blir blöt vid användning eller rengöring, måste den lufttorka i skugga på avstånd från värmekällor.

Se figur 5, sida 5.

- Under transport och lagring skydda utrustningen från risker (vassa kanter, direkt värmekälla, kemiska produkter, UV, ...).

10. Utrustningens överensstämmelse

Företaget Tractel SAS., RD 619 - Saint-Hilaire-sous-Romilly - F - 10102 Romilly-sur-Seine - France, intygar härmed att utrustningen som beskrivs i denna bruksanvisning,

- uppfyller kraven i Europaparlamentets förordning (EU) 2016/425 från mars 2016,
- är identisk med den personliga skyddsutrustning med typkontrollintyg "EU", utfärdat av APAVE SUDEUROPE SAS - CS 60193 - 13322 Marseille - France, med nummer 0082, och provats enligt standarderna EN 361 från 2002 och EN 358 från 2018,
- omfattas av förordandet enligt bilaga VIII till Europaparlamentets förordning (EU) 2016/425, modul D, anmält kontrollorgan: APAVE SUDEUROPE SAS - CS 60193 - 13322 Marseille - France, med nummer 0082.

11. Märkning

På etiketten på HT/ET-selar och CE-bälten anges:

- a: handelsnamn: Tractel®,
- b: produktnamn,
- c: referensstandard och tillämpningsår,
- d: produktens artikelnummer,
- e: CE-logotypen följd av numret 0082, dvs. identifikationsnumret för det anmälda organ som ansvarar för tillverkningskontroll.
- f: Tillverkningsår och –månad,
- g: serienummer,
- h: en symbol som anger att bruksanvisningen måste läsas igenom före användning.
- w. Max. användningslast.

HT R-selar har dessutom en etikett nära räddningslinans D-formade räddningsspänne med följande uppgifter:

- i: det kommersiella varumärket,
- j: referensnormen följd av tillämpningsåret,
- k: symbolen som anger att bruksanvisningen måste läsas igenom före användning.

12. Regelbunden översyn

En regelbunden årlig översyn är nödvändig och obligatorisk, men beroende på hur ofta den används, på miljöförhållanden och företagets övriga föreskrifter eller i motsvarande land, kan regelbundna kontroller förekomma oftare.

Regelbundna översyner ska utföras av en behörig och kompetent tekniker i enlighet med tillverkarens vedertagna undersökningsförfaranden som står i filen "Instruktioner för kontroll av personliga skyddsutrustningar från TRACTEL®".

Kontroll av läsbarhet av produktens märkning ingår i den regelbundna översynen.

Efter avslutad regelbunden översyn, måste återtagning i drift meddelas skriftligen av behörig och kompetent tekniker som utförde regelbunden översyn. Denna återtagning i drift av produkten ska registreras på det kontrollblad som finns i mitten av denna bruksanvisning. Detta kontrollblad ska förvaras under produktens hela livslängd tills den slutgiltigen kasseras.

Efter att denna textilprodukt har stoppat ett fall, måste den oivillkorligen skrotas och förstöras, även om den inte uppvisar någon synlig förändring.

13. Livslängd

Personskyddsutrustningar i tyg från TRACTEL® såsom selar, hållinor, rep och energiupptagare, mekaniska personskyddsutrustningar från TRACTEL® såsom stopcable™ och stopfor™ fallskyddsanordningar, blocfor™ automatiska fallskyddsblock och livlinor från TRACTEL® får bara användas från och med deras motsvarande tillverkningsdatum:

- vid normal användning i enlighet med rekommendationerna för användning som står i denna bruksanvisning.
- efter en regelbunden översyn som ska utföras minst 1 gång om året av en behörig och kompetent tekniker. Vid slutet av denna regelbundna översyn måste den personliga skyddsutrustningen skriftligen förklaras duglig för återtagning i drift.
- om alla villkor för förvaring och transport som står i denna bruksanvisning har noggrant följts.
- Som en allmän regel och om villkoren för användning som nämns ovan respekteras kan deras livslängd vara längre än 10 år.

14. Bortskaffande

Vid skrotning av produkten, måste de olika komponenterna återvinnas genom att sortera bort metallämnen samt sortera bort syntetämnen. Dessa material ska lämnas in för återvinning hos olika specialiserade organ. Vid skrotning, måste demontering för isärtagning av dess beståndsdelar utföras av en kompetent person.

Tillverkarens namn och adress:
Tractel SAS - RD 619 - BP 38
Saint Hilaire sous Romilly
10102 Romilly sur Seine
Frankrike

1. Etusijaiset ohjeet

- HT/ET-valjaat ovat putoamisen pysäytysjärjestelmän osa, HT R -valjaat ovat putoamisen pysäytysjärjestelmän osa, ja niitä voi käyttää pelastamiseen. Ne täyttävät normin EN 361/EN1497, ja ne voi liittää CE-vöihin, jotka täyttävät normin EN 358. Näitä kahta laiteyhtyä saa käyttää vain yksi henkilö, joka on koulutettu ja/tai pätevä tai käyttäjä on tällaisen henkilön suorassa valvonnassa.
- Ennen HT/ET-valjaiden käyttöä on ehdottomasti luettava ja ymmärrettävä näiden Tractel® SAS-yhtiön toimittamien käyttöohjeiden sisältö, tutustuttava näihin käyttöohjeisiin ja noudatettava niiden määräyksiä. Käyttöopas on toimitettava ja säilytettävä järjestelmän tai sen komponentin kanssa. On suositeltavaa tehdä ensimmäinen koeripustus turvallisuudessa paikassa, jotta varmistutaan, että valjaat on säädetty kunnolla ja ne suovat tarkoitettussa käytössä hyväksyttävän mukavuustason.
- Ennen tämän turvamateriaalin käyttöä on mentävä sitä koskevaan koulutukseen. Tarkista tuotteeseen liittyvien varusteiden kunto ja varmista, että maavara on riittävän suuri.
- Jos valjaat eivät silminnähden ole hyvässä käyttökunnossa, ne täytyy antaa Tractel® SAS-yhtiön tai valtuutetun ja pätevän tekniikon tarkastettavaksi, joka antaa kirjallisen luvan järjestelmän käytön jatkamiselle. Suosittelemme, että tarkastat laitteet silmävaraisesti aina ennen käyttöä.
- Kaikki laitteisiin tehtävät muutokset ja lisäykset edellyttävät Tractel® SAS- yhtiön etukäteen antamaa kirjallista hyväksyntää. Varusteet tulee kuljettaa ja varastoida alkuperäispakkauksessaan.
- Jos valjaita ei ole tarkistettu viimeisten 12 kuukauden aikana, niitä ei saa käyttää. Niitä voi käyttää uudestaan valtuutetun ja pätevän asentajan tekemän määräaikaistarkastuksen ja asentajan antaman kirjallisen käyttöluvan myöntämisen jälkeen. Jos näitä tarkastuksia ei tehdä tai lupaa ei saada, valjaat on poistettava käytöstä ja hävitettävä. Jos valjaat ovat pysäyttäneet putoamisen, ne on poistettava käytöstä ja hävitettävä.
- HT/ET-valjaiden ja työkohteessa pysymisen takaavan CE-työn maksimikäyttökuormitus on 150 kg.
- Jos käyttäjän oma massa, johon lisätään varusteiden ja työkalujen massa, on välillä 100 kg ja 150 kg, on ehdottomasti tarkistettava, että kokonaismassa (käyttäjä + varusteet + työkalut) ei ylitä kaikkien putoamisenestojärjestelmän varusteiden suurinta kokonaismassaa.
- Varustetta voidaan käyttää ulkoyömaalla ja -30° - +60°C ja lämpötilavälillä. Vältä kosketusta terävien kulmien, hankaavien pintojen ja kemiallisten aineiden kanssa.
- Tärkeää: Jos joudut uskomaan nämä varusteet työntekijän tai vastaavan henkilön huostaan, noudata sovellettavia työturvallisuusmääräyksiä.
- Käyttäjän täytyy olla täysissä psyykkisissä ja fysisissä voimissaan käyttäessään näitä laitteita. Jos sinulla on epäilyksiä, sinun tulee kääntyä lääkärin, tai työterveyslääkärin puoleen. Käyttö kielletty raskaana olevilta naisilta.
- Laitteita ei saa käyttää yli sallittujen rajojen eikä tilanteissa, joita varten niitä ei ole suunniteltu, ks. toiminnot ja kuvuus.
- On suositeltavaa, että kullekin käyttäjälle osoitetaan omat valjaat, erityisesti, jos kyseessä on palkattu henkilökunta.

- Ennen putoamisenestojärjestelmän NF EN 363 käyttöä käyttäjän tulee varmistaa, että kaikki osat ovat hyvässä käyttökunnossa: turvajärjestelmä, lukitus. Asennettaessa laitetta paikoilleen sen turvatoiminnot eivät saa kärsiä.
- Putoamisenestojärjestelmässä on tarkistettava, että käyttäjän alla työkohteessa oleva vapaa tila aina ennen käyttöä, jotta putoamistapauksessa käyttäjä ei ole vaarassa törmätä maahan tai putoamisreitillä olevaan esteeseen.

Kuva 4.c, sivu 5.

- ▶ **h1** tulee olla välillä 0 m 1.5 m.
- ▶ **h2** tulee olla vähintään 1 m.
- ▶ **t** on minimimaavara käyttäjän jalkojen alla.

Se vaihtelee valjaisiin liitetyn putoamisenestoratkaisun mukaan:

- blocfor™, t = 3 m minimi.
- stopfor™, t = 4 m minimi.
- Energian absorboijalla varustettu taljahihna, t = 6 m minimi.
- stopcable™ (EN 353-1), t = 2 m minimi.
- stopcable™ (EN 353-2), t = 4 m minimi.

- Valjaita on ehdottomasti hoidettava ja säilytettävä tämän käyttöohjeen määräysten mukaan, jos hoitoa ja säilytystä koskevaa kappaletta laininyöddään, se voi vaikuttaa haitallisesti valjaiden käyttöökään.
- Käyttäjän turvallisuuden kannalta on välttämätöntä, että laitteet tai ankkurointipiste on asennettu oikein ja työ tehdään siten, että putoamisvaara ja -korkeus on mahdollisimman pieni.
- Jos tuote myydään ensimmäisen kohdemaan ulkopuolelle, jälleennympäin on toimitettava seuraavat seikat käyttäjän turvallisuuden takaamiseksi: käyttöohjeet, ohjeet hoitoa, säännöllisiä tarkistuksia ja korjauksia varten, ohjeiden on oltava tuotteen käyttömaan kielellä.



HUOMAA

Kaikkissa erikoiskäyttöissä on otettava yhteys TRACTEL®-verkostoon.

2. Määritelmiä ja kuvakkeita

2.1 Määritelmiä

'Pääkäyttäjä': Henkilö tai osasto, joka on vastuussa tässä oppaassa kuvatun tuotteen hoidosta ja turvallisuudesta.

'Teknikko': Pätevä ja tuotteen hyvin tunteva henkilö, joka on vastuussa tässä oppaassa kuvattujen ja sallittujen huoltoimien tekemisestä.

'Käyttäjä': Henkilö, joka tuotetta sen käyttötarkoituksen mukaan.

'EPI/henkilösuojalaite': Henkilökohtainen putoamissuojavaruste.

'Liitin': Putoamissuojajärjestelmän komponenttien välinen liitoselementti. Vastaa normia EN 362.

'Putoamissuojavaljaat': Kehon tarttumisjärjestelmä, joka on tarkoitettu pysäyttämään putoaminen. Koostuu hihnoista ja soljista. Niissä on putoamisen eston kiinnityspisteet, jotka on merkitty merkillä **A**, jos niitä voi käyttää yksin, ja **A/2**, jos niitä tulee käyttää yhdessä toisen **A/2** -pisteen kanssa. Vastaavat normia EN 361.

'Maksimikäyttökuormitus': Valtuutetun käyttäjän, hänen henkilösuojalaitteidensa, työasusteidensa ja toimenpiteissä tarvitsemiensa välineiden paino.

'Putoamissuojajärjestelmä': Kokonaisuus, joka koostuu seuraavista elementeistä:

- Putoamissuojavaljaat.
- Automaattikelauksella tai energian absorboijalla varustettu putoamissuoja tai liukuva putoamissuoja jäykällä kiinnityksellä tai liukuva putoamissuoja joustavalla kiinnityksellä.
- Ankkurointi.
- Liitos-osa.

'Putoamissuojajärjestelmän elementti': Yleinen termi, joka viittaa johonkin seuraavista osista:

- Putoamissuojavaljaat.
- Automaattikelauksella tai energian absorboijalla varustettu putoamissuoja tai liukuva putoamissuoja jäykällä kiinnityksellä tai liukuva putoamissuoja joustavalla kiinnityksellä.
- Ankkurointi.
- Liitoselementti.

2.2. Kuvakkeet



VAARA: Asennettuna linjan alkuosaan se viittaa ohjeisiin, joita on annettu henkilövahinkojen välttämiseksi, erityisesti kuorman johtavilta, vakavilta vai lieviltä vammoilta sekä ympäristövahingoilta.



TÄRKEÄÄ: Asennettuna linjan alkuosaan se viittaa ohjeisiin, jotka on tarkoitettu välttämään vika tai laitevahinko, joka ei vaaranna käyttäjän tai muiden henkilöiden henkeä tai terveyttä ja/tai joka ei aiheuta ympäristövahinkoja.



HUOMAA: Asennettuna linjan alkuosaan se viittaa ohjeisiin, joita on annettu takaamaan laitteiden tehokkuus tai asennuksen, käytön tai huollon mukavuus.

3. Käyttöolosuhteet

Tarkastus ennen käyttöä:

- Valjaiden, hinnan, ommelten ja solkien silmävarainen tarkastus. Hihnassa tai ompeleissa ei saa olla merkkejä hankauksesta, purkautumisesta, palamisesta tai leikkaantumisesta. Säätöosissa ja soljissa ei saa olla merkkejä korroosioista tai vääntymisestä ja niiden on toimittava kunnolla. Jos epäilet niiden kuntoa, poista tuotteet heti käytöstä.
- Tarkista oheislaitteiden valjaiden ja liittimien kunto.
- Tarkista koko putoamisenestojärjestelmä.

4. Toiminta ja kuvaus



TÄRKEÄÄ: HT/ET-valjaat on tarkoitettu antamaan ankkurointipiste käyttäjän kiinnittämiseksi, jotta hänet voidaan varustaa putoamisenestolaitteella, joka suojaaa häntä työskenneltäessä korkealla. Putoamisenestovaljaat ovat ainoa kehon tarttumisympäristö, jota saa käyttää putoamisen pysäyttämiseen.

CE-vyöt ovat työkohteessa pysymisen varmistavia järjestelmiä.



VAARA: CE-vyötä ei saa käyttää putoamissuojana.

HT/ET-valjaiden ja työkohteessa pitävän CE-vöiden maksimikuormitus on 150 kg.

Ennen käyttöä on ehdottomasti varmistettava, että putoamissuojajärjestelmän kaikki osat ovat yhteensopivia tämän kuormituksen kanssa niiden käyttöohjeiden perusteella.

Jos näin ei ole laita, järjestelmän maksimikuormitus on se kuormitus, joka on putoamissuojajärjestelmän kaikkein heikoimman osan maksimikäyttökuormitus.

Valjaiden tyyppin mukaan sinulla on useita eri käyttöjä:

- Valjaat, joissa on selkäkiinnityspiste: putoamisenestoturva työskenneltäessä korkealla.
- Valjaat, joissa on selkä- ja rintapiste: samoin valjaat, joissa selkäpiste + työskentely jännitetyn köyden varassa, turvallisuus noustaessa tikkaista, ...
- Valjaat, joissa on vyöpiste: putoamisenestoturva käytettävissä olevan tyyppin ja kiinnityspisteen mukaan, vyöpiste työpisteessä pysymisen varmistamiseksi. Työkohteessa pitojärjestelmässä hinnan tulee olla aina jännittynyt, ja vapaa liikkumisala tulee rajata enintään 0.6 metriin.
- HT R-valjaat ovat samanlaisia kuin HT-valjaat, mutta niissä on lisäksi olkaimiin ommeltu pelastushihna. Pelastushihnan avulla pelastaja voi suorittaa evakuoinnin turvallisesti. Valjaissa on etiketti pelastushihnaa varten varatun kuution lähellä, etiketti ilmoittaa, että laitteita saa käyttää vain pelastukseen.
- Ladytrac™-valjaat on tarkoitettu pääasiassa naisille. Ne on suunniteltu ja patentoitu erikokoisesti naisten ruumiinrakennetta silmällä pitäen. Nämä valjaat on varustettu liivillä, jonka avulla ne on helppoa laittaa päälle.
- HT120 -valjailla on kiinnityspiste rintakehällä, joka on suunniteltu ja asennettu siten, että käyttäjä voi kiinnittyä tikkaiden puolan putoamisen estolaitteeseen. Rintakehän kiinnityspisteen erityisominaisuus on se, että se siirtyy putoamisen yhteydessä ompeleen revetessä. Periaate on patentoitu. Se on asennettu erityisesti tätä sovellusta varten, ja sen ansiosta käyttäjä voi nousta ja laskeutua vaivatta.

Katso kiinnityspisteiden taulukkoa sivulla 2.



VAARA

Älä käytä putoamissuojauksen kiinnityspisteinä vyön sivukiinnityspisteitä, ne on tarkoitettu työpisteessä työskentelyä varten (EN 358) yhdessä tähän tarkoitukseen varatun hinnan kanssa (EN 358), tai kiinnityspistettä pelastushihnalla (EN 1497), jota voi käyttää vain pelastamisessa.

Kuva 4 (a, c, d), sivu 5.



VAARA: Valjaita ei saa käyttää muihin tarkoituksiin kuin suojaamiseen putoamiselta. Valjaita ei saa käyttää vapaa-ajan harrastuksissa tai urheilussa.

5. Käyttökieltoja

On ehdottomasti kiellettyä:

- asentaa tai käyttää HT/ET-valjaita tai työkohteessa pitävää CE-vyötä ilman lupaa, koulutusta tai tunnustettua pätevyyttä tai ilman valtuutetun koulutetun ja päteväksi tunnustetun henkilön valvontaa.
- käyttää HT/ET-valjaita tai työkohteessa pitävää CE-vyötä, jos merkinnot eivät ole luettavissa.
- asentaa tai käyttää HT/ET-valjaita tai työkohteessa pitävää CE-vyötä, jota ei ole tarkistettu edeltä.
- käyttää HT/ET-valjaita tai työkohteessa pitävää CE-vyötä, jota pätevä ja valtuutettu teknikko ei ole tarkastanut määräaikaistarkastus mukaan enintään 12 kuukautta aikaisemmin ja antanut kirjallista lupaa jatkaa käyttöä.

- käyttää HT/ET-valjaita muuhun tarkoitukseen, kuin henkilöiden putoamissuojajana.
- käyttää työkohteessa pitävää CE-vyötä muuhun tarkoitukseen, kuin työkohteessa pysymiseen.
- Kiinnittää HT/ET-valjaat muulla tavalla kuin sen kiinnityspisteeseen, joka on merkitty **A** tai **A/2**.
- käyttää HT/ET-valjaita tai työkohteessa pitävää CE-vyötä vastoin ohjeita, jotka on annettu kappaleessa "13. Käyttöikä».
- käyttää HT/ET-valjaita tai työkohteessa pitävää CE-vyötä henkilöillä, jonka massa yhdessä varusteiden ja työkalujen kanssa on yli 150 kg.
- käyttää HT/ET-valjaita tai työkohteessa pitävää CE-vyötä, jos kuormitusmassa on välillä 100 kg ja 150 kg (käyttäjät + varusteet + työkalut) ja jonkin putoamissuojajärjestelmän elementin maksimikuormitus on pienempi.
- käyttää HT/ET-valjaita, jos ne ovat pysäyttäneet putoamisen.
- käyttää HT/ET-valjaita tai työkohteessa pitävää CE-vyötä tässä käyttöohjeessa annetun lämpötilavälillä ulkopuolella.
- käyttää HT/ET-valjaita, jos maavara ei ole riittävän suuri henkilön pudotessa.
- käyttää HT/ET-valjaita tai työkohteessa pitävää CE-vyötä, jos käyttäjä ei ole täydellisessä fyysisessä kunnossa.
- käyttää HT/ET-valjaita tai työkohteessa pitävää CE-vyötä, jos käyttäjä on raskaan oleva nainen.
- käyttää HT/ET-valjaita tai työkohteessa pitävää CE-vyötä, jos jonkin niihin liittyvän osan turvallisuus on kärsinyt jonkin toisen osan turvatoiminnon takia.
- kiinnittää HT/ET-valjaat tai työkohteessa pitävä CE-vyö putoamissuojajärjestelmän avulla rakenteen ankkurointipisteeseen, jonka kesto on tai oletetaan olevan alle 12 kN.
- tehdä huolto- tai korjaustoimia HT/ET-valjaille tai työkohteessa pitävälle CE-vyölle ilman koulutusta.
- käyttää HT/ET-valjaita tai työkohteessa pitävää CE-vyötä, jos se ei ole täydellinen tai jonkin sen osan on vaihtanut henkilö.

6. Asentaminen

Kuva 3, sivu 5.

Kiinnitä kaikki valjaiden säätösoljet, kun käyttäjä on puettu.

Sääda eri valjaiden pituudet: ei liian kireitä eikä liian löysiä, jotta käytössä saavutetaan maksimimukavuus sekä ihanteellinen putoamissuojaus. Tällä ehdolla valjaat suojelevat tehokkaasti.

- Jos se on mahdollista, rakenteen ankkurointipisteen tulee olla korkeudeltaan 1.5 ja 2 metriä käyttäjän jalkojen yläpuolella. Rakenteen ankkurointipiste kestävyyden tulee olla vähintään 12 kN.
- Kiinnitys ankkurointipisteeseen tai rakenteeseen tulee tehdä liittimen EN 362 avulla.
- Putoamissuojajärjestelmän liittämiseksi putoamissuojajavaljaisiin on katsottava valjaiden ja putoamissuojajärjestelmän opasta, jotta käytetään varmasti oikeaa kiinnityspistettä ja sekä oikeaa kiinnitysmenetelmää.



VAARA

Ennen ensimmäistä käyttökertaa ja sen aikana on suunniteltava mahdolliset pelastustoimet tehokkaasti siten, että pelastus voi tapahtua alle 15 minuutissa. Tämän alkarajan jälkeen käyttäjä on vaarassa.

7. Komponentit ja materiaalit

Kuva 1, sivu 3: Valjaat - EN 361-EN 358-EN 1497.

- PES-materiaalista valmistetut olkaimet.
- PE-materiaalista valmistettu selkälanta.
- Elastomeerisilmukka.
- Teräksestä valmistettu säätösolki.
- Teräksestä valmistettu sivukiinnitin (putoamisenestopiste, ks. kuva 1, sivu 3).
- Teräksestä tai PES-materiaalista valmistettu rintakiinnitin (putoamisenestopiste, ks. kuva 1, sivu 3).
- Teräksestä valmistettu selkäkiinnitin (putoamisenestopiste, ks. kuva 1, sivu 3).
- PES-materiaalista valmistettu reisikannatin.
- PP-materiaalista valmistettu rintasolki.
- Merkintäetiketti.
- Kiinnityspisteiden merkintä "A" D:llä tai hinnalla.
- Teräksestä valmistettu sivukiinnite (kiinnityspiste, ks. kuva 1, sivu 3).
- Selkätuki PE-vaahtoa ja kangasta.
- Merkintäetiketti.
- POM-käyttörengas.
- Teräksestä valmistettu säätösolki.
- Elastomeerin välikappale.
- Pelastushihna.
- Pelastushihnan etiketti.
- Kiinnityskuutio pelastusta varten.
- Keskivyon kiinnitys.

- Hihna + ompelulanka: polyesteri,
- Soljet sinkittyä terästä ja alumiinia,
- Selkäkappale vaahtoa, päällystetty corduralla,
- Selkälanta, välikappaleet: polyeteleeniä, termoplastista elastomeeria.

8. Yhdistettävät varusteet

Putoamisenestojärjestelmä (EN 363).

- Kiinnitys (EN 795).
- Päätilyitin (EN 362).
- Putoamisenestojärjestelmä (EN 353-1/2 - EN 355 - EN 360).
- Liitin (EN 362).
- Putoamissuojavaljais (NF EN 361).

Aina ennen putoamissuojajärjestelmän EN 363 käyttöä on tarkastettava, että kaikki laitteet ovat käyttökunnossa ja toimivat kunnolla.

9. Huolto ja varastointi

- Jos valjaat ovat likaisia, ne tulee pestä puhtaalla ja kylmällä vedellä, johon voi laittaa hienopesuainetta, käytä synteettistä harjaa.
- Jos valjaat ovat kastuneet käytössä tai pesun yhteydessä, niiden tulee antaa kuivua varjossa itsekseen suojassa kaikilta lämmönlähteiltä.
Ks. kuva 5, sivu 5.
- Kuljetuksen ja varastoinnin aikana laitteet tulee suojata kaikilta vaaroilta (terävät kulmat, suorat lämmönlähteet, kemialliset aineet, UV-säteily...).

10. Varusteen yhdenmukaisuus

Tractel SAS. RD 619 - Saint-Hilaire-sous-Romilly - F - 10102 Romilly-sur-Seine - France, ilmoittaa, että tässä oppaassa kuvatut varustuslaitteet,

- ovat maaliskuussa 2016 annetun Euroopan parlamentin ja neuvoston asetuksen (EU) 2016/425 mukaisia,
- on täysin samanlainen kuin E.P.I- henkilösuojain, joka on varustettu EU- sertifikaatilla, jonka on myöntänyt APAVE SUDEUROPE SAS - CS 60193 - 13322 Marseille - France, tunnusnumero 0082, ja testattu seuraavien normien mukaan: EN 361 vuodelta 2002 ja EN 358 vuodelta 2018,
- on alistettu Euroopan parlamentin ja neuvoston asetuksen 2016/425 liitteen VIII moduulin D mukaiseen testiin. Ilmoitettu laitos: APAVE SUDEUROPE SAS - CS 60193 - 13322 Marseille - France, tunnusnumero 0082.

11. Merkinnät

Jokaisen HT/ET-valjaan ja CE-vyön etiketti ilmoittaa:

- a: Tavaramerkki: Tractel®,
- b: Tavaranimike,
- c: Viitenormi tulee sovellusvuoden jälkeen,
- d: Tuotteen viite,
- e: CE-logo, jota seuraa numero 0082, tuotteen tarkastuksesta vastaavan ilmoitetun tarkastusorganisaation numero.
- f: Valmistusvuosi ja -kuukausi,
- g: Sarjanumero,
- h: ennen käyttöä tapahtuvaan käyttöoppaan lukemiseen kehoittava kuvake,
- w: Maksimikäyttökuorma.

HT R-valjaissa on lisäksi etiketti pelastushinnan kiinnittämistä varten lisätyn kuution lähellä, etiketissä on:

- i: kaupallinen merkki,
- j: viitenormi, jota noudatettiin sovellusvuotena,
- k: kuvasymboli, joka osoittaa, että käyttöohjeet on luettava ennen käyttöä.

12. Määräaikaistarkastus

Vuosittainen määräaikaistarkastus on pakollinen, mutta määräaikaistarkastukset voivat tapahtua useamminkin käyttötaajuudesta, ympäristön olosuhteista tai yhtiön tai käyttömaan määräyksistä riippuen.

Valtuutetun ja pätevän asentajan tulee tehdä määräaikaistarkastukset noudattaen valmistajan tarkastusmenettelytapoja, jotka valmistaja on määrittänyt esitteessään "EPI TRACTEL® -henkilösuojien tarkastusohjeet".

Määräaikaistarkastuksiin kuuluu ehdottomasti merkintöjen luettavuuden tarkastus.

Määräaikaistarkastusten jälkeen määräaikaistarkastuksen tehneen pätevän ja valtuutetun asentajan tulee antaa uusi käyttöönottohyväksyntä kirjallisesti. Tuotteen uusi käyttöönotto täytyy rekisteröidä tarkastuslomakkeelle, joka sijaitsee tämän käyttöohjeen keskellä. Tämä tarkastuslomake on säilytettävä laitteen koko käyttöajan ajan sen hävittämiseen saakka.

Kun tämä tekstiilituote on pysäyttänyt putoamisen, se täytyy ehdottomasti poistaa käytöstä ja hävittää, vaikka siinä ei ole silmin nähtäviä muutoksia.

13. Käyttöikä

Tekstiilistä valmistetut Tractel® EPI -henkilösuojalaitteet, kuten valjaat, hinnat, köydet ja putoamisenvaimentimet, mekaaniset Tractel® EPI-henkilösuojalaitteet, kuten putoamisen stopcable™- ja stopfor™ -putoamisenestolaitteet ja automaattisella palautuksella varustetut blocfor™ -putoamisenestolaitteet, Tractel® -turvajajerit ovat valmiita käyttöön sillä ehdolla, että niiden valmistuspäivästä lähtien noudatetaan seuraavia ohjeita:

- käyttö on normaalkäyttöä ja siinä noudatetaan tämän käyttöohjeen määräyksiä,
- määräaikaistarkastus, joka tulee tehdä vähintään 1 kerta vuodessa, kuuluu valtuutetulle ja pätevälle asentajalla. Tarkastuksen jälkeen henkilösuojalaitte tulee kirjallisesti hyväksyä kellovilliseksi käyttöönottoon.
- tässä käyttöohjeessa annettuja kuljetus- ja varastointimääräyksiä ehtoja noudatetaan tarkasti.
- Yleisesti ottaen laitteiden käyttöikä voi olla yli 10 vuotta, mikäli yllä mainittuja käyttöehtoja noudatetaan.

14. Hävittäminen

Heitettäessä tuote pois, sen eri osat on kierrätettävä eroteltava metalliosien ja synteettisen materiaalien keräyksen. Nämä materiaalit voidaan kierrättää erityislaitoksissa.

Kun tuote heitetään pois, purkaminen osien erottamiseksi kuuluu pätevälle henkilölle.

Valmistajan nimi ja osoite:
Tractel SAS – RD 619 – BP 38
Saint-Hilaire-sous-Romilly
10102 Romilly-sur-Seine
France

1. Generel advarsel

- HT/ET faldsikringssele er et element i faldsikringsystemet, HT R faldsikringssele er element i faldsikringsystemet, der kan bruges til en redningsaktion. De er i overensstemmelse med standarderne EN 361/EN 1497, som kan bruges sammen med CE bæltet i overensstemmelse med standarden EN 358. Disse to typer udstyr må kun bruges af en enkelt person, der har fulgt et kursus i brugen af dem/eller som er kompetent eller af en operatør, der er under opsyn af en sådan person.
- Før HT/ET sikkerhedssele anvendes er det strengt nødvendigt for en sikker og effektiv brug, at brugeren har læst og forstået oplysningerne i manualen, som Tractel® SAS leverer sammen med produktet. Manualen skal medfølge og være tilgængelig for enhver bruger. Der kan fås ekstra eksemplarer på forespørgsel. Det anbefales at foretage et første forsøg med ophængning et sikkert sted for at sikre sig, at sikkerhedsseleerne er justeret korrekt og giver en acceptabel komfort til den forudsatte anvendelse.
- Før dette sikkerhedsmateriel bruges er det strengt nødvendigt at have fulgt et kursus i brugen af det. Undersøg det tilknyttede udstyrs tilstand og kontroller, at den frie højde er tilstrækkelig
- Hvis en faldsikringssele ikke er i tilsyneladende god stand, skal den kontrolleres af Tractel® SAS eller af en autoriseret og kompetent tekniker, som skal give skriftlig tilladelse til at tage systemet i brug igen. Det anbefales at foretage en visuel kontrol før hver brug.
- Der må ikke foretages ændringer eller tilføjelser til udstyret uden forudgående tilladelse hertil af Tractel® SAS. Udstyret skal transporteres og opbevares i sin oprindelige emballage.
- En faldsikringssele, der ikke har været genstand for en periodisk kontrol i løbet af de sidste 12 måneder, må ikke bruges. Den må ikke bruges igen, før der er blevet udført en periodisk kontrol af en autoriseret og kompetent tekniker, der skal give skriftlig tilladelse til dens genbrug. Hvis denne kontrol og tilladelse ikke udføres, skal faldsikringssele tages ud af drift og destrueres. Hvis den har standstet et fald, skal den tages ud af drift og destrueres.
- Den maksimale brugsbelastning er 150 kg for HT/ET faldsikringssele og CE bæltet til fastholdelse på arbejdsposten.
- Hvis brugerens vægt plus vægten af hans udstyr og værktøj er indbefattet mellem 100 kg og 150 kg, er det strengt nødvendigt at sikre sig, at den samlede vægt (bruger + udstyr + værktøj) ikke overstiger den maksimale brugsbelastning for hvert enkelt element i faldsikrings-systemet.
- Dette udstyr er velegnet til brug på en udendørs arbejdsplads og for et temperaturområde på mellem -30° C og +60° C. Undgå enhver kontakt med skarpe kanter, skurende overflader og kemiske produkter.
- Vigtigt: Såfremt dette materiel skal overlades til en medarbejder eller lignende, skal De overholde gældende bestemmelser for sundhed og sikkerhed på arbejdspladsen.
- Operatøren skal være i god fysisk og psykisk form under brugen af dette udstyr. Hvis der er tvivl om brugerens tilstand, skal vedkommende rådspørge sin læge eller driftslægen. Udstyret må ikke bruges af gravide kvinder.
- Udstyrets begrænsning må ikke overskrides og det må ikke bruges i enhver anden situation end den, det er forudset til: jf. "4. funktioner og beskrivelse".
- Det anbefales at tildele faldsikringssele personligt til hver enkelt operatør, især når det drejer sig om lønmottagere.

- Før brug af et system til standsning af styrt NF EN 363 skal brugeren kontrollere, at alle komponenterne fungerer korrekt: sikkerhedssystem, spærring m.v. Sikkerhedsfunktionerne må ikke være beskadigede under installationen.
- I et faldsikringsystem er det væsentligt at kontrollere den frie afstand under operatøren på arbejdspladsen for hver brug, således at der ikke er risiko for kollision med jorden og der ikke findes forhindringer på faldets bane, hvis der skulle ske et fald.

Figur 4.c, side 5.

- ▶ h1 skal være indbefattet mellem 0 m og 1,5 m.
- ▶ h2 skal mindst være lig med 1 m.
- ▶ t er den minimale frie højde under operatørens fødder.

Den varierer afhængigt af den type styrt sikret udstyr, der er forbundet med sikkerhedssele:

- For en blocfor™, t = mindst 3 m.
 - For en stopfor™, t = mindst 4 m.
 - For en line med energiabsorber, t = mindst 6 m.
 - For en stopcable™ (EN 353-1), t = mindst 2 m.
 - For en stopcable™ (EN 353-2), t = mindst 4 m.
- Det er strengt nødvendigt at vedligeholde sikkerhedssele og tage den ud af lageret i henhold til anvisningerne i denne vejledning. Hvis afsnitet vedrørende vedligeholdelse og opbevaring ikke følges, kan det have en negativ indflydelse på sikkerhedsseleens levetid.
 - Det er væsentligt for brugerens sikkerhed, at forankringsanordningen eller forankringspunktet er placeret korrekt og at arbejdet udføres på en måde, der reducerer risikoen for fald og højden til et minimum.
 - Hvis produktet videresælges til et andet land end bestemmelseslandet, skal sælgeren af hensyn til operatørens sikkerhed udlevere: brugsanvisning, instruktioner for vedligeholdelse, periodiske kontroller og reparation skrevet på sproget i det land, hvor produktet skal bruges.



BEMÆRK

Du er velkommen til at kontakte TRACTEL® netværket vedrørende enhver særlig anvendelse.

2. Definitioner og piktogrammer

2.1 Definitioner

"Bruger": Person eller afdeling som er ansvarlig for forvaltningen og brugsikkerheden af produktet beskrevet i denne manual.

"Tekniker": Kvalificeret og kompetent person som er kendt med produktet og varetager de serviceopgaver, der er beskrevet i manualen og som brugeren har tilladelse til at udføre.

"Operatør": Person som varetager brugen af produktet i overensstemmelse med den tiltænkte brug.

"PPE": Personligt beskyttelsesudstyr mod fald fra højde.

"Forbindelsesled": Forbindelselement mellem komponenter i et faldsikringsystem. Den er i overensstemmelse med standarden EN 362.

"Faldsikringssele": Anordning til at fastholde den krop, der skal sikres mod fald. Den består af sele og ringe. Den har tilkoblingspunkter til sikring mod fald mærket med A, hvis de kan bruges alene, eller mærket med A/2 hvis de skal bruges sammen med et andet punkt A/2. Den er i overensstemmelse med standarden EN 361.

“Maksimal brugsbelastning”: Maksimal vægt af den autoriserede bruger udstyret med sit PPE, arbejdstøj, værktøj og de komponenter, som han har brug for, for at udføre sin opgave.

“Faldsikringsystem”: En helhed, der består af følgende elementer:

- Faldsikringssele.
- Faldsikring med automatisk rappel eller energiabsorber eller bevægelig faldsikring på en stiv sikringsføring eller bevægelig faldsikring på en fleksibel sikringsføring.
- Forankring.
- Forbindelseselement.

“Element i faldsikringsystemet”: Generisk term, som definerer et af følgende elementer:

- Faldsikringssele.
- Faldsikring med automatisk rappel eller energiabsorber eller bevægelig faldsikring på en stiv sikringsføring eller bevægelig faldsikring på en fleksibel sikringsføring.
- Forankring.
- Forbindelseselement.

2.2. Piktogrammer



FARE: Er placeret i begyndelsen af et afsnit. Signalerer anvisninger beregnet til at undgå kvæstelser på personer, herunder livsfarlige, alvorlige eller lettere kvæstelser samt skader på miljøet.



VIGTIGT: Er placeret i begyndelsen af et afsnit. Signalerer anvisninger beregnet til at undgå svigt eller beskadigelser af udstyret, men som ikke er direkte livsfarlige eller sundhedsfarlige for operatøren eller andre personer og/eller ikke risikerer at forårsage skader på miljøet.



BEMÆRK: Er placeret i begyndelsen af et afsnit. Signalerer anvisninger beregnet til at gøre en installation, en anvendelse eller en vedligeholdelsesopgave mere effektiv eller praktisk.

3. Brug

Undersøgelse før brug:

- Visuel kontrol af faldsikringssele, remmenes, sømmenes og metalringenes tilstand. Remmen og sømmenes syning må ikke vise tegn på afskrabning, oprævling, brændte zoner eller snit. Justeringskomponenter, ringe og spænder må ikke vise tegn på korrosion eller deformation og de skal fungere korrekt. I tilfælde af tvivl skal produktet straks tages ud af drift.
- Kontroller de tilknyttede komponenters tilstand, faldsikringssele og forbindelsesled.
- Kontroller det komplette system til standsning af styrt.

4. Funktioner og beskrivelse



VIGTIGT: HT / ET faldsikringssele er beregnet til at skabe et fastgørelsespunkt på brugeren for at styre ham med et styrtikkert system, der beskytter ham mod fald under arbejde i højde. En faldsikringssele er den eneste gribeordning til kroppen, det er tilladt at bruge i et faldsikkert system.

CE bæltet er systemer til fastholdelse på arbejdsposten.



FARE: CE bæltet må ikke bruges som beskyttelse mod fald fra højde.

Den maksimale brugsbelastning for HT/ET faldsikringssele og CE bæltet til fastholdelse på arbejdsposten er 150 kg.

Før brug er det strengt nødvendigt at sikre sig, at alle faldsikringsystemets elementer er kompatible med denne last ved at læse de tilsvarende brugsanvisninger.

Hvis det ikke er tilfældet, svarer den maksimale belastning til det element i faldsikringsystemet, der har den mindste maksimale brugsbelastning.

Afhængigt af faldsikringsseleens type, findes der flere anvendelsesmuligheder:

- Faldsikringssele med fastgørelsespunkt på ryg: Beskyttelse mod styrt under arbejde i højde.
- Faldsikringssele med fastgørelsespunkt på ryg og bryst: Ligesom faldsikringssele med fastgørelsespunkt på ryggen + fastholdelse under arbejde, sikkerhed mens brugeren går op ad en stige etc.
- Faldsikringssele med fastgørelsespunkt på bælte: Beskyttelse mod styrt afhængigt af mulige fastgørelsespunkter og deres type, punkt på bæltet til fastholdelse på arbejdsposten. I et system med fastholdelse på arbejdsposten skal linen altid være strammet ud og bevægelsesfriheden skal være begrænset til højst 0.6 meter.
- HT R faldsikringssele er et faldsikkert udstyr, der er lignende HT seletøj, men udstyret med en ekstra redningsline, der er syet på seletøjet. Denne line gør det muligt at foretage en redningsaktion under gunstige forhold. Faldsikringssele har en etiket ved siden af redningslinens D-ring til fastgørelse, som specificerer at den kun må bruges til redningsaktioner.
- Ladytrac™ faldsikringssele er først og fremmest beregnet til kvinder. De er specielt designet og patenteret med henblik på at passe til kvindens morfologi. Disse faldsikringssele er udstyret med en jakke, så de er lette at tage på.
- Faldsikringssele HT120 har et fastgørelsespunkt på brystet, der er specielt designet og placeret til at man kan forbinde sig med en faldsikring på skulder til stige. Fastgørelsespunktet på brystet har den særlige egenskab, at den bevæger sig i tilfælde af et fald ved at sømmen rives op. Dette princip er patenteret. Det er placeret helt specielt til denne anvendelse, således at det ikke generer brugeren under op- og nedstigning.

Se skemaet med fastgørelsespunkter på side 2.



FARE

Fastgørelsespunkterne i bæltets side må ikke bruges som fastgørelsespunkter til faldsikring brugeren på arbejdsposten (EN 358) sammen med en fastholdelsesline (EN 358), og det må fastgørelsespunkterne på redningslinen (EN 1497) heller ikke, da de udelukkende er beregnet til evakuering.

Figur 4 (a, c, d), side 5.



FARE: Brug ikke faldsikringssele til andre anvendelser end beskyttelse mod fald fra højde. Det er forbudt at bruge faldsikringssele til fritids- eller sportsaktiviteter.

5. Advarsler mod forkert brug

Det er strengt forbudt:

- at installere eller bruge en en HT/ET faldsikringssele eller et CE bælte til fastholdelse på arbejdsposten uden at være autoriseret til det, trænet til det og anset for at være kompetent eller uden at være under opsyn af en autoriseret, trænet og kompetent person.
- at bruge en HT/ET faldsikringssele eller et CE bælte til fastholdelse på arbejdsposten, hvis mærkningen ikke er læselig.
- at installere eller bruge en HT/ET faldsikringssele eller et CE bælte til fastholdelse på arbejdsposten, som ikke har været genstand for forudgående kontrol.
- at bruge en HT/ET faldsikringssele eller et CE bælte til fastholdelse på arbejdsposten, der ikke har været genstand for en periodisk kontrol i under 12 måneder af en tekniker, der har givet skriftlig tilladelse til at genbruge den.
- at bruge en HT/ET faldsikringssele til enhver anden anvendelse end beskyttelse af personer mod fald fra højde.
- at bruge et CE bælte til fastholdelse på arbejdsposten til enhver anden anvendelse end fastholdelse på arbejdsposten.
- at fastgøre en HT/ET faldsikringssele på enhver anden måde end ved hjælp af dens fastgørelsespunkt mærket **A** eller **A/2**.
- at bruge en HT/ET faldsikringssele eller et CE bælte til fastholdelse på arbejdsposten i modstrid med oplysningerne anført i afsnittet "13. Levetid".
- at bruge en HT/ET faldsikringssele eller et CE bælte til fastholdelse på arbejdsposten af en person, hvis vægten af denne person inklusiv udstyr og værktøj overskrider 150 kg.
- at bruge en HT/ET faldsikringssele eller et CE bælte til fastholdelse på arbejdsposten med en last indbefattet mellem 100 kg og 150 kg (samlet vægt af brugeren, dennes udstyr og værktøj), hvis et element i faldsikringsystemet har en lavere maksimal brugsbelastning.
- at bruge en HT/ET faldsikringssele, hvis den har standset en persons fald.
- at bruge en HT/ET faldsikringssele eller et CE bælte til fastholdelse på arbejdsposten udenfor temperaturområdet i denne vejledning.
- at bruge en HT/ET faldsikringssele, hvis den frie højde ikke er tilstrækkelig i tilfælde af et fald.
- at bruge en HT/ET faldsikringssele eller et CE bælte til fastholdelse på arbejdsposten, hvis man ikke er i god fysisk form.
- at bruge en HT/ET faldsikringssele eller et CE bælte til fastholdelse på arbejdsposten, hvis man er en gravid kvinde.
- at bruge en HT/ET faldsikringssele eller et CE bælte til fastholdelse på arbejdsposten, hvis sikkerhedsfunktionen på et af de tilknyttede elementer er påvirket eller forstyrret af sikkerhedsfunktionen på et andet element.
- at fæstne en HT/ET faldsikringssele eller et CE bælte til fastholdelse på arbejdsposten ved hjælp af et faldsikringsystem ved et strukturelt ankerpunkt med en modstandstyrke på mindre end 12 kN eller formodet at være mindre end denne værdi.
- at foretage reparationer eller vedligeholdelse af en HT/ET faldsikringssele eller et CE bælte til fastholdelse på arbejdsposten.
- at bruge en HT/ET faldsikringssele eller et CE bælte til fastholdelse på arbejdsposten, hvis dette udstyr ikke er komplet, hvis det er blevet afmonteret eller hvis komponenterne er blevet udskiftet.

6. Montering

Figur 3, side 5.

Saml alle justeringspænder på faldsikringssele, når operatøren er klædt på.

Juster de forskellige remmes længde: De må hverken strammes for meget eller for lidt for at have en maksimal komfort under brug og en optimal beskyttelse mod fald. Det er en betingelse for at faldsikringssele giver en effektiv beskyttelse.

- Det strukturelle forankringspunkt skal så vidt muligt sidde i en højde indbefattet mellem 1.5 og 2 meter over operatørens fødder. Det strukturelle forankringspunkts styrke skal være på mindst 12 kN.
- Forbindelsen til forankringspunktet eller strukturen skal oprettes ved hjælp af et forbindelsesled EN 362.
- For at forbinde faldsikringsystemet med faldsikringssele, se vejledningen til faldsikringssele og faldsikringsystemet for at bruge det korrekte fastgørelsespunkt og den rigtige metode til at fastgøre sig til det.



Før og under brug skal man forudse hvordan en eventuel redningsaktion kan gennemføres på en effektiv og sikker måde for at komme en forulykket person til undsætning på under 15 minutter. Efter denne tidsfrist er operatøren er i fare.

7. Komponenter og materialer

Figur 1, side 3: Sikkerhedssele - EN 361 - EN 358 - EN 1497.

- Rem i PES.
- Rygplade i PE.
- Strop i elastomer.
- Justeringspænde i stål.
- Fastgørelse i siden i stål (faldsikringspunkt, jf. figur 1, side 3).
- Sternal fastgørelse i stål eller PES (faldsikringspunkt, jf. figur 1, side 3).
- Fastgørelse på ryg i stål (faldsikringspunkt, jf. figur 1, side 3).
- Strop under bagdel i PES.
- Brystspænde i PP.
- Mærkningsetiket.
- "A" mærkning, fastgørelsespunkter, på D eller strop.
- Fastgørelsespunkt i siden i stål (fastholdelsespunkt, jf. figur 1, side 3).
- Rygstøtte i skum PE og stof.
- Mærkningsetiket.
- Betjeningsring i POM.
- Justeringspænde i stål.
- Strop i elastomer.
- Redningsstrop.
- Etiket til redningsline.
- D-ring til redningsaktion.
- Central fastgørelse på bælte.
- Rem + syninger: Polyester.

DK

- Ringe og spænder i forzinket stål og aluminium.
- Rygstøtte i skum beklædt med cordura.
- Plade i ryggen, seler: Polyethylen, termoplastisk elastomer.

8. Tilknyttet udstyr

System til standsning af styrt (EN 363):

- Forankring (EN 795).
- Et forbindelsesled i enden (EN 362).
- Et faldsikret system (EN 353-1/2 - EN 355 - EN 360).
- Et forbindelsesled (EN 362).
- En faldsikringssele (NF EN 361).

Før et faldsikringssystem EN 363 tages i brug, skal det kontrolleres, at hvert enkelt udstyr er brugbart og fungerer korrekt.

9. Vedligeholdelse og opbevaring

- Hvis faldsikringssele er snavset, skal den vaskes med rent og koldt vand eventuelt tilsat lidt sæbe til sarte tekstiler. Brug en syntetisk børste.
- Hvis faldsikringssele er blevet våd under brug eller vask, skal man lade den tørre naturligt et skyggefuldt sted og langt fra enhver varmekilde.

Jf. figur 5, side 5.

- Under transport og opbevaring skal udstyret beskyttes mod enhver fare (skarpe kanter, direkte varmekilder, kemiske produkter, UV-stråler m.v.).

10. Udstyrets overensstemmelse

Tractel SAS. RD 619 - Saint-Hilaire-sous-Romilly - F - 10102 Romilly-sur-Seine - France, erklærer hermed at sikkerhedsudstyret beskrevet i denne manual,

- er i overensstemmelse med bestemmelserne i EU-parlamentets forordning (EU) 2016/425 af marts 2016,
- er identisk med det PPE (Personal Protective Equipment) der har været genstand for "EU" typeundersøgelsescertifikatet udleveret af APAVE SUDEUROPE SAS - CS 60193 - 13322 Marseille - France identificeret ved nummer 0082, og testet i henhold til standarderne EN 361 af 2002 og EN 358 af 2018,
- er underkastet fremgangsmåden, der henvises til i bilag VIII til EU-parlamentets forordning (EU) 2016/425, modul D, under kontrol af et prøvningsinstitut: APAVE SUDEUROPE SAS - CS 60193 - 13322 Marseille - France, identificeret ved nummer 0082.

11. Mærkning

Etiketten på HT/ET faldsikringssele og CE bæltet angiver:

- a: handelsnavnet: Tractel®,
- b: produktets betegnelse,
- c: referencestandard efterfulgt af år for ikrafttrædelse,
- d: produktets reference,
- e: CE-logoet efterfulgt af nummeret 0082, som er identificeringsnummeret på det prøvningsinstitut, der har varetaget produktionskontrollen,
- f: fabriktionsår og måned,
- g: serienummeret,

h: et piktogram viser at manualen skal læses før brug,

w: Maksimal brugsbelastning.

HT R faldsikringssele har desuden en etiket ved siden af redningslinens D-ring, som angiver:

- i: handelsmærket,
- j: referencestandarden efterfulgt af det år, den blev gennemført,
- k: et piktogram der angiver at man skal læse manualen før brug.

12. Periodisk kontrol

En årlig kontrol er obligatorisk, men afhængig af brugsfrekvensen, de miljømæssige forhold og virksomhedens eller brugslandets regler og bestemmelser, kan denne kontrol udføres oftere.

Periodiske kontroller skal udføres af en autoriseret og kompetent tekniker under overholdelse af fabrikantens fremgangsmåder vedrørende disse kontroller som anført i filen "Anvisninger vedrørende kontrol af PPE fra TRACTEL®".

Læseligheden af produktets mærkning udgør en del af denne periodiske kontrol.

Efter den periodiske kontrol skal den autoriserede og kompetente tekniker, der har udført kontrollen, give skriftlig tilladelse til produktets genindsætning i drift. Produktets genindsætning i drift skal optegnes på kontrolarket, der sidder midt i nærværende vejledning. Dette kontrolark skal opbevares under hele produktets levetid, indtil det tages ud af drift.

Når nærværende tekstilprodukt har standset et fald, skal det tages ud af drift og destrueres, selv om det ikke har synlige tegn på beskadigelse.

13. Levetid

PPE udstyr i tekstil fra TRACTEL® såsom helseler, liner, tove og absorbere, mekaniske PPE udstyr fra TRACTEL® såsom stopcable™ og stopfor™ faldsikringer og blocfor™ faldsikringer med automatisk rappel, samt TRACTEL® livliner er anvendelige under betingelse af, at de siden deres fremstillingsdato har været genstand for:

- en normal anvendelse under overholdelse af anbefalingerne for brug i nærværende vejledning,
- en periodisk kontrol, som skal udføres mindst 1 gang om året af en autoriseret og kompetent tekniker. Efter denne periodiske kontrol skal dette PPE erklæres skriftligt egnet til genindsætning i drift,
- en streng overholdelse af betingelserne for opbevaring og transport anført i nærværende vejledning.
- Som hovedregel og så længe de brugsbetingelser, der nævnes ovenfor, overholdes, kan deres levetid være længere end 10 år.

14. Kassering

Ved kassering af produktet, er det obligatorisk at genbruge de forskellige komponenter ved at sortere efter materialer i metal og syntetiske materialer. Disse materialer skal afleveres på en specialiseret genbrugsstation. Når produktet kasseres, skal afmonteringen i forbindelse med adskillelse af de forskellige elementer udføres af en kompetent person.

Producentens navn og adresse:

Tractel SAS - RD 619 - BP 38
Saint Hilaire sous Romilly
10102 Romilly sur Seine
Frankrig

1. Najważniejsze zasady bezpieczeństwa

1. Uprząże HT/ET to jeden z elementów systemu zabezpieczającego przed upadkiem, a uprząże HT R stanowią jeden z elementów systemu zabezpieczającego przed upadkiem, mogącego służyć do celów ratunkowych. Są one zgodne z normą/ normami EN 361/EN1497, mogą być stosowane łącznie z pasami CE, zgodnymi z normą EN 358. Te dwa rodzaje sprzętu mogą być używane tylko przez jedną osobę, przeszkoloną i / lub kompetentną lub przez operatora, który znajduje się pod bezpośrednim nadzorem takiej osoby.
2. Ze względów bezpieczeństwa i w celu optymalnego wykorzystania możliwości uprząży HT, przed jej użyciem należy koniecznie zapoznać się z informacjami zawartymi w instrukcji dostarczonej przez Tractel® SAS. Instrukcja ta musi być przechowywana i dostępna dla wszystkich użytkowników. Na żądanie mogą zostać dostarczone dodatkowe egzemplarze. Pierwsza próba zawieszenia powinna być przeprowadzona w bezpiecznym miejscu, aby można było się upewnić, że uprząż jest dobrze wyregulowana i zapewnia wystarczający komfort pracy w warunkach jej przyszłego stosowania.
3. Przed rozpoczęciem użytkowania tego sprzętu zabezpieczającego należy koniecznie przejść przeszkolenie w zakresie jego obsługi. Należy sprawdzić stan wyposażenia używanego wraz z uprzążą.
4. Jeśli stan uprząży, oceniany wzrokowo, jest nieodpowiedni, całość sprzętu musi zostać sprawdzona przez Tractel® SAS lub przez uprawnionego, kompetentnego technika, który musi potwierdzić na piśmie swoją zgodę na ponowne użytkowanie systemu. Zalecana jest kontrola wzrokowa sprzętu przed każdym użyciem.
5. Każda modyfikacja sprzętu lub zastosowanie dodatkowego elementu wymaga wcześniejszej pisemnej zgody Tractel® SAS. Sprzęt może być transportowany i przechowywany tylko w jego oryginalnym opakowaniu.
6. Nie wolno używać uprząży, która nie została poddana przeglądowi okresowemu w ciągu ostatnich 12 miesięcy. Uprząż może być wykorzystywana ponownie dopiero po przeprowadzeniu nowego przeglądu okresowego przez uprawnionego, kompetentnego technika, który musi potwierdzić na piśmie swoją zgodę na ponowne użytkowanie. W razie braku takiego przeglądu i zezwolenia, uprząż musi zostać wycofana z użytkowania i zniszczona. Jeśli uprząż posłużyła do zatrzymania upadku, musi zostać wycofana z użytkowania i zniszczona.
7. Maksymalne obciążenie robocze wynosi 150 kg w przypadku uprząży HT/ET oraz pasów podtrzymujących CE.
8. Jeżeli masa użytkownika powiększona o masę wykorzystywanego sprzętu i oprzyrządowania wynosi od 100 kg do 150 kg, należy koniecznie upewnić się, że masa całkowita (użytkownik + sprzęt + oprzyrządowanie) nie przekracza maksymalnego obciążenia roboczego każdego z elementów tworzących system zatrzymywania upadków.
9. Sprzęt ten nadaje się do zastosowania na budowach na wolnym powietrzu, w zakresie temperatur od -30°C do +60°C. Nie wolno dopuszczać do kontaktu z ostrymi krawędziami, powierzchniami o właściwościach ściernych i substancjami chemicznymi.
10. Ważne: jeśli powierzasz ten sprzęt pracownikowi lub osobie współpracującej, stosuj się do odpowiednich przepisów prawa pracy.
11. W momencie użytkowania tego sprzętu operator musi być w doskonałej formie fizycznej i psychicznej. W przypadku wątpliwości skonsultuj się ze swoim lekarzem lub lekarzem medycyny pracy. Zabronione dla kobiet w ciąży.
12. Sprzęt może być użytkowany wyłącznie w zakresie określonym przez producenta i nie może być wykorzystywany do zastosowań, do których nie jest przewidziany: por. „4. funkcje i opis”.

13. Zaleca się przydzielanie uprząży indywidualnie konkretnym operatorom, zwłaszcza jeśli chodzi o stałych pracowników.
14. Przed zastosowaniem systemu zatrzymywania upadków NF EN 363 użytkownik musi się upewnić, że każda część składowa jest w dobrym stanie: system bezpieczeństwa, blokada. W momencie zakładania uprząży nie może ona wykazywać obniżenia parametrów zabezpieczeń.
15. W systemie zatrzymywania upadków kluczowe znaczenie ma sprawdzenie przed każdym użyciem wolnej przestrzeni pod operatorem w miejscu pracy, po to, aby w razie upadku nie zaistniało niebezpieczeństwo kolizji z podłożem lub przeszkodą znajdującą się na drodze upadku.

Rysunek 4. c strona 5.

- ▶ h1 musi zawierać się między 0 m i 1.5 m.
- ▶ h2 musi wynosić minimum 1 m.
- ▶ t jest minimalną wysokością w świetle pod nogami operatora.

Zależy ona od typu systemu zapobiegania upadkom dołączonego do uprząży:

- Typ blocfor™, t = 3 m minimum.
 - Typ stopfor™, t = 4 m minimum.
 - Lina z pochłaniaczem energii, t = 6 m minimum.
 - Typ stopcable™ (EN 353-1), t = 2 m minimum.
 - Typ stopcable™ (EN 353-2), t = 4 m minimum.
16. Uprząż musi być konserwowana i przechowywana zgodnie z zaleceniami przedstawionymi w instrukcji. Nieprzestrzeganie tych zaleceń może bardzo niekorzystnie odbić się na trwałości uprząży.
 17. Dla zapewnienia bezpieczeństwa operatora niezwykle ważne jest, aby system lub punkt zaczepienia znajdował się we właściwej pozycji, a praca była wykonywana w sposób umożliwiający ograniczenie do minimum ryzyka upadku i jego wysokości.
 18. Jeżeli produkt jest sprzedawany poza pierwszy kraj jego użytkowania, dla zapewnienia bezpieczeństwa operatora, sprzedawca musi przekazać: instrukcję obsługi, instrukcję konserwacji, informacje o przeglądach okresowych i naprawach - w języku kraju, w którym sprzęt będzie używany.



UWAGA

W sprawie wszelkich zastosowań specjalnych prosimy o kontakt z siecią TRACTEL.

2. Definicje i piktogramy

2.1 Definicje

„**Użytkownik**”: osoba lub dział firmy, która(y) ponosi odpowiedzialność w zakresie zarządzania i zapewnienia bezpieczeństwa wykorzystywania produktu stanowiącego przedmiot instrukcji.

„**Technik**”: wykwalifikowana osoba odpowiadająca za przeprowadzanie opisanych w tej instrukcji prac konserwacyjnych, które mogą być wykonywane jedynie przez kompetentnego użytkownika, znającego zasady użytkowania produktu.

„**Operator**”: osoba korzystająca z produktu w sposób zgodny z jego przeznaczeniem.

„**Osobiste wyposażenie ochronne**”: osobiste wyposażenie ochronne zabezpieczające przed upadkiem.

„**Łącznik**”: każdy element służący do połączenia poszczególnych komponentów systemu zatrzymywania upadków. Każdy łącznik musi spełniać wymogi normy EN 362.

„**Uprząż zabezpieczająca przed upadkiem z wysokości**”: system zabezpieczający przed upadkiem z wysokości. Uprząż składa się z pasów oraz układu sprzączek. Produkt zawiera zabezpieczającą

przed upadkiem punkty mocowania oznaczone symbolem **A**, jeżeli mogą być wykorzystywane samodzielnie lub **A/2**, jeżeli muszą być wykorzystywane w połączeniu z innym punktem mocowania **A/2**. Produkt musi spełniać wszystkie wymagania normy EN 361.

„**Maksymalne obciążenie robocze**”: maksymalna masa użytkownika noszącego osobiste wyposażenie ochronne i odzież roboczą, a także wykorzystywane narzędzia i komponenty, których potrzebuje w celu przeprowadzenia prac.

„**System zatrzymywania upadków**”: układ zawierający następujące elementy:

- Uprząż zabezpieczająca przed upadkiem z wysokości.
- System zapobiegania upadkom z automatycznym zwijaniem powrotnym lub absorber energii, bądź ruchomy system zapobiegania upadkom na sztywnej podstawie zabezpieczającej lub ruchomy system zapobiegania upadkom na elastycznej podstawie zabezpieczającej.
- Zaczep.
- Łącznik.

„**Element systemu zapobiegania upadkom**”: wyrażenie ogólne określające jeden z następujących elementów:

- Uprząż zabezpieczająca przed upadkiem z wysokości.
- System zapobiegania upadkom z automatycznym zwijaniem powrotnym lub absorber energii, bądź ruchomy system zapobiegania upadkom na sztywnej podstawie zabezpieczającej lub ruchomy system zapobiegania upadkom na elastycznej podstawie zabezpieczającej.
- Zaczep.
- Łącznik.

2.2. Piktogramy



NIEBIEZPIECZEŃSTWO: Piktogram umieszczony na początku wiersza oznacza zalecenia mające na celu zapobieżenie możliwości odniesienia śmiertelnych, poważnych lub lekkich obrażeń ciała, a także wyrządzenia szkód dla otoczenia.



WAŻNE: Piktogram umieszczony na początku wiersza oznacza zalecenia mające na celu zapobieżenie możliwości nieprawidłowego działania lub uszkodzenia sprzętu, ale niestanowiące bezpośredniego zagrożenia dla życia lub zdrowia operatora, bądź innych osób i/lub wyrządzenia szkód dla otoczenia.



UWAGA: Piktogram umieszczony na początku wiersza oznacza zalecenia mające na celu zapewnienie prawidłowego lub wygodnego wykorzystywania instalacji, bądź też przeprowadzania prac konserwacyjnych.

3. Warunki użytkowania

Weryfikacja przed użyciem:

- Sprawdzenie wzrokowe stanu uprząży, opasek zaciskowych, szwów, sprzączek. Opaska zaciskowa, nici szwów nie mogą wykazywać śladów otarcia, poszarpania, przepalenia, pęknięcia. Elementy regulacji, sprzączki nie mogą wykazywać śladów korozji, odkształcenia i muszą działać prawidłowo. W przypadku wątpliwości należy natychmiast wycofać sprzęt z obiegu.
- Sprawdzić stan poszczególnych części - uprząż, łączniki.
- Sprawdzić kompletny system zatrzymywania upadków.

4. Funkcje i opis



WAŻNE: Uprząże HT/ET umożliwiają utworzenie punktu zaczepienia na operatorze, aby wyposażyć go w system zapobiegający upadkom, chroniący go przed upadkami

podczas prac na wysokości. Uprząż zabezpieczająca przed upadkiem z wysokości stanowi jedyne urządzenie do chwytania ciała, które można stosować w systemie zatrzymywania upadków.

Pasy CE stanowią układy podtrzymywania wykorzystywane na stanowiskach pracy.



NIEBIEZPIECZEŃSTWO: Pasy CE nie mogą być wykorzystywane w celu zabezpieczenia przed upadkiem z wysokości.

Maksymalne obciążenie robocze uprząży HT/ET i pasów podtrzymujących CE wynosi 150 kg.

Przed rozpoczęciem użytkowania należy koniecznie upewnić się, że wszystkie elementy systemu zatrzymywania upadków są odpowiednio dla obciążenia roboczego, zgodnie z informacjami zamieszczonymi w ich instrukcjach obsługi.

Jeżeli tak nie jest, obciążenie maksymalne odpowiada obciążeniu maksymalnemu elementu systemu zatrzymywania upadków, którego maksymalne obciążenie robocze jest najmniejsze.

W zależności od typu uprząży możliwe są różne jej zastosowania:

- Uprząż z zaczepem grzbietowym: zabezpieczenie przed upadkiem przy pracy na wysokości.
- Uprząż z zaczepem grzbietowym i mostkowym: jak uprząż z zaczepem grzbietowym a praca w pozycji nieruchomej, zabezpieczenie przy wchodzeniu na drabinę...
- Uprząż z zaczepem do pasa: zabezpieczenie przed upadkiem zależnie od typu i dostępnych punktów mocowania, zaczep do pasa utrzymuje pozycję na stanowisku pracy. W systemie podtrzymującym na stanowisku pracy linia musi pozostać naprężona, a maksymalne swobodne przemieszczenie musi być ograniczone do 0,6 m.
- Uprząże HTR są podobne do uprząży HT, lecz wyposażone są w dodatkową linę ratunkową przyszytą do szelek. Lina ta umożliwi ratownikowi przeprowadzenie ewakuacji w dobrych warunkach. Uprząże posiadają etykietę umieszczoną w pobliżu uchwytu liny ratunkowej, umożliwiającej zaczepienie. Etykieta informuje o tym, że linia może być użyta wyłącznie do celów ratunkowych.
- Uprząże Ladytrac™ przeznaczone są przede wszystkim dla kobiet. Zostały specjalnie zaprojektowane i opatentowane w taki sposób, aby jak najlepiej dostosowywać się do kobiecej budowy ciała. Wyposażone są w kamizelkę ułatwiającą ich zakładanie.
- Uprząż HT120 jest wyposażona w punkt zaczepienia na klatce piersiowej, zaprojektowany i umieszczony specjalnie w pozycji umożliwiającej połączenie z systemem zapobiegającym upadkom dla osób znajdujących się na drabinie. Podczas upadku punkt zaczepienia na klatce piersiowej przesuwa się przez wycięcie szwu. Tego rodzaju specyficzna zasada działania produktu została opatentowana. Punkt zaczepienia został umieszczony w odpowiednim miejscu do tego celu i nie przeszkadza operatorowi podczas wchodzenia lub schodzenia.

Patrz tabela punktów zaczepienia na stronie 2.



NIEBIEZPIECZEŃSTWO

Jako punktów zaczepienia zabezpieczających przed upadkiem nie należy używać bocznych punktów zaczepienia pasa, zarezerwowanych do utrzymywania na stanowisku (EN 358) łącznie z liną podtrzymującą (EN 358), ani punktu zaczepienia liny ratunkowej (EN 1497) służącej wyłącznie do ewakuacji.

Rysunek 4 (a, c, d), strona 5.



NIEBIEZPIECZEŃSTWO: Nie używać uprząży do innych zastosowań niż zabezpieczenie przed upadkiem z wysokości. Wykorzystywanie uprząży w celach rekreacyjnych lub sportowych jest zabronione.

5. Ograniczenia użytkowania

Absolutnie zabronione jest:

- instalowanie lub użytkowanie uprząży HT/ET lub pasa podtrzymującego CE przez osoby nieuprawnione, które nie zostały przeszkolone i uznane za kompetentne, bądź też wykonujące swoją pracę pod nadzorem osoby uprawnionej, przeszkolonej i uznanej za kompetentną.
- wykorzystywanie uprząży HT/ET lub pasa podtrzymującego CE, jeżeli ich oznakowanie jest niewidoczne.
- instalowanie lub użytkowanie uprząży HT/ET lub pasa podtrzymującego CE, które nie zostały wcześniej poddane kontroli.
- użytkowanie uprząży HT/ET lub pasa podtrzymującego CE, które nie zostały w okresie ostatnich 12 miesięcy poddane kontroli okresowej przeprowadzanej przez uprawnionego technika, który potwierdził na piśmie swoją zgodę na ponowne użytkowanie systemu.
- wykorzystywanie uprząży HT/ET do jakichkolwiek innych zastosowań, niż zabezpieczenie osób przed upadkiem z wysokości.
- wykorzystywanie pasa podtrzymującego CE do jakichkolwiek innych zastosowań, niż podtrzymywanie na stanowisku pracy.
- mocowanie uprząży HT/ET przy użyciu jakichkolwiek innych środków, niż jej punkty zaczepienia oznaczone symbolami **A** lub **A/2**.
- wykorzystywanie uprząży HT/ET lub pasa podtrzymującego CE w sposób niezgodny z zaleceniami zamieszczonymi w punkcie „13. Okres eksploatacji”.
- wykorzystywanie uprząży HT/ET lub pasa podtrzymującego CE przez osobę, której masa wspólnie z wykorzystywanym sprzętem i oprzyrządowaniem przekracza 150 kg.
- wykorzystywanie uprząży HT/ET lub pasa podtrzymującego CE z obciążeniem wynoszącym od 100 kg do 150 kg (całkowita masa użytkownika, jego sprzętu i oprzyrządowania), jeżeli maksymalne obciążenie robocze jakiegokolwiek elementu systemu zatrzymywania upadków jest niższe.
- wykorzystywanie uprząży HT/ET po zatrzymaniu przez nią upadku jakiegokolwiek osoby.
- wykorzystywanie uprząży HT/ET lub pasa podtrzymującego CE poza określonym w tej instrukcji zakresem temperatury roboczej.
- wykorzystywanie uprząży HT/ET, jeżeli w razie upadku ilość wolnej przestrzeni nie jest wystarczająca.
- wykorzystywanie uprząży HT/ET lub pasa podtrzymującego CE przez osobę, która nie znajduje się w doskonałej formie fizycznej.
- wykorzystywanie uprząży HT/ET lub pasa podtrzymującego CE przez kobietę w ciąży.
- wykorzystywanie uprząży HT/ET lub pasa podtrzymującego CE, jeżeli jakiekolwiek funkcje zabezpieczające któregośkolwiek z artykułów mogą być zakłócone lub powodować zakłócenie prawidłowego działania funkcji zabezpieczających innego artykułu.
- mocowanie uprząży HT/ET lub pasa podtrzymującego CE za pośrednictwem układu zatrzymywania upadków do strukturalnego punktu mocowania o wytrzymałości niższej od 12 kN lub która może być za taką uważana.
- przeprowadzanie jakichkolwiek prac naprawczych lub konserwacyjnych dotyczących uprząży HT/ET, bądź pasa podtrzymującego bądź pasa podtrzymującego CE.
- wykorzystywanie uprząży HT/ET lub pasa podtrzymującego CE, jeżeli nie są one kompletne, zostały wcześniej zdemontowane lub jakiegokolwiek elementy były wymieniane.

6. Instalacja

Rysunek 3, strona 5.

Zmontuj wszystkie sprzączki regulacyjne uprząży, kiedy operator jest ubrany.

Wyreguluj długość poszczególnych opasek: nie mogą być za bardzo ani za mało zacisnięte, ze względu na komfort użytkownika

i optymalne zabezpieczenie przed upadkiem. Tylko wtedy uprząż będzie stanowiła skuteczną ochronę.

- W miarę możliwości strukturalny punkt mocowania powinien leżeć na wysokości od 1,5 do 2 metrów powyżej poziomu stóp operatora. Minimalna wytrzymałość strukturalnego punktu mocowania powinna wynosić co najmniej 12 kN.
- Połączenie z punktem mocowania lub strukturą musi być wykonane za pomocą łącznika EN 362.
- Jeśli chodzi o połączenie urządzenia zapobiegającego upadkom z uprzążą – zobacz w instrukcjach uprząży i systemu, jak zastosować odpowiedni punkt mocowania i właściwą metodę połączenia z tym punktem.



NIEBEZPIECZEŃSTWO

Przed i w trakcie użytkowania musisz pomyśleć o tym, żeby ewentualna akcja ratunkowa mogła być skutecznie przeprowadzona w czasie krótszym niż 15 minut. Po upływie tego terminu operator jest narażony na niebezpieczeństwo.

7. Części składowe i materiały

Rysunek 1, strona 3: uprząż – EN 361 - EN 358 - EN 1497.

- Szelki z poliestru.
- Płytką grzbietową z polietylenu.
- Szluflka z elastomeru.
- Sprzączka regulacyjna ze stali.
- Zaczepek boczny ze stali (zaczepek zapobiegający upadkom, *por. rysunek 1, strona 3*).
- Zaczepek mostkowy ze stali lub poliestru (zaczepek zapobiegający upadkom, *por. rysunek 1, strona 3*).
- Pas grzbietowy ze stali (zaczepek zapobiegający upadkom, *por. rysunek 1, strona 3*).
- Pas pośladkowy z poliestru.
- Sprzączka piersiowa z polietylenu.
- Etykieta zawierająca oznaczenia.
- Oznaczenie „A”, punkty zaczepu, na D lub opasce zaciskowej.
- Zaczepek boczny ze stali (zaczepek utrzymujący na stanowisku, *por. rysunek 1, strona 3*).
- Pas grzbietowy z pianki polietylenowej i tkaniny.
- Etykieta zawierająca oznaczenia.
- Pierścienie z polioksymetylenu.
- Sprzączka regulacyjna ze stali.
- Szluflka z elastomeru.
- Opaska ratunkowa.
- Etykieta liny ratunkowej.
- Uchwyt zaczepu ratunkowego.
- Zaczepek środkowy przy pasie.
- Opaska zaciskowa + nici szwów: poliester.
- Sprzączki ze stali ocynkowanej i aluminium.
- Pas grzbietowy – pianka pokryta cordurą.
- Płytką grzbietową, szluflki: polietylen, elastomer termoplastyczny.

8. Wyposażenie dodatkowe

System zatrzymywania upadków (EN 363)

- Mocowanie (EN 795).
- Łącznik końcowy (EN 362).
- System zapobiegania upadkom EN 353-1/2 - EN 355 - EN 360)
- Łącznik (EN 362).
- Uprząż zabezpieczająca przed upadkiem z wysokości (EN 361).

Przed zastosowaniem systemu zatrzymywania upadków EN 363 należy upewnić się, że wszystkie części składowe wyposażenia znajdują się w dobrym stanie i działają prawidłowo.

9. Konserwacja i przechowywanie

- Kiedy uprząż się zabrudzi, należy ją wyprać w czystej zimnej wodzie z ewentualnym dodatkiem środka do prania tkanin delikatnych, używając szczotki z tworzywa sztucznego.
- Jeśli w trakcie użytkowania uprząż się zamoczyła, lub po praniu, należy pozostawić ją do naturalnego wyschnięcia w cieniu z dala od źródeł ciepła.

Por. rysunek 5, strona 5.

- Podczas transportu i przechowywania należy zabezpieczyć sprzęt przed wszelkim możliwym uszkodzeniem (ostre krawędzie, bliskość źródeł ciepła, substancje chemiczne, promieniowanie UV...).

10. Zgodność sprzętu

Spółka Tractel SAS, RD 619 - Saint-Hilaire-sous-Romilly - F - 10102 Romilly-sur-Seine - France, niniejszym oświadcza, że sprzęt zabezpieczający opisany w tej instrukcji,

- jest zgodny z postanowieniami Rozporządzenia Parlamentu Europejskiego i Rady (UE) 2016/425 z dnia 9 marca 2016 r.
- jest identyczny ze sprzętem ochrony indywidualnej będącym przedmiotem kontroli UE, typu dostarczanego przez APAVE SUDEUROPE SAS - CS 60193 - 13322 Marseille - France, oznaczonego numerem 0082, i testowanego zgodnie z normami EN 361 z 2002 roku i EN 358 z 2018 roku,
- został poddany procedurze przewidzianej w Załączniku VIII Rozporządzenia Parlamentu Europejskiego i Rady (UE) 2016/425 z dnia 9 marca 2016 r., moduł D pod nadzorem powiadomionej instytucji : APAVE SUDEUROPE SAS - CS 60193 - 13322 Marseille - France, i oznaczony numerem 0082.

11. Oznaczenia

Na etykiecie każdej uprząży HT i pasa CE znajdują się:

- a. Marka handlowa: Tractel®.
- b. Nazwa produktu,
- c. Odpowiednia norma i rok jej wprowadzenia,
- d. Numer referencyjny produktu,
- e. Logo CE, a po numer 0082, numer identyfikacyjny nadany przez instytucję notyfikowaną odpowiedzialną za kontrolę produkcji,
- f. Rok i miesiąc produkcji,
- g. Numer seryjny,
- h. Piktogram informujący o konieczności przeczytania instrukcji obsługi przed użyciem,
- w. Maksymalne obciążenie robocze.

Uprząże HT R posiadają dodatkowo etykietę umieszczoną w pobliżu uchwytu liny ratunkowej, umożliwiającego zaczepienie. Na etykiecie znajdują się:

- i. Marka handlowa,
- j. Odpowiednia norma i rok jej wprowadzenia,
- k. Piktogram informujący o konieczności przeczytania instrukcji obsługi przed użyciem,

12. Przeglądy okresowe

Konieczne jest przeprowadzanie okresowych przeglądów rocznych, ale zależnie od intensywności i częstotliwości użytkowania, warunków otoczenia oraz przepisów obowiązujących w przedsiębiorstwie lub kraju, w którym sprzęt jest używany, przeglądy okresowe mogą być wykonywane częściej.

Przeglądy okresowe muszą być przeprowadzane przez uprawnionego, kompetentnego technika, zgodnie z procedurami kontrolnymi producenta, określonymi w pliku "Instrukcje dotyczące weryfikacji osobistego wyposażenia ochronnego firmy Tractel®".

Weryfikacja czytelności oznakowania znajdującego się na produkcie stanowi integralną część przeglądu okresowego. Po przeprowadzeniu przeglądu okresowego, ponowne oddanie produktu do użytkowania musi zostać potwierdzone na piśmie przez uprawnionego, kompetentnego technika, który przeprowadził

kontrolę. Ponowne oddanie produktu do użytkowania musi zostać potwierdzone na karcie kontrolnej, która znajduje się w środku tej instrukcji. Karta kontrolna musi zostać zachowana przez cały okres użytkowania produktu, aż do jego zniszczenia. Jeżeli niniejszy produkt tekstylny zatrzymał upadek, musi zostać wycofany z użytkowania i zniszczony, nawet jeżeli żadne ślady uszkodzeń nie są widoczne.

13. Czas użytkowania

Określony czas użytkowania tekstylnych produktów osobistego wyposażenia ochronnego firmy Tractel®, takich jak uprząże, lonże, liny i układy pochłaniania energii, a także mechanicznych produktów osobistego wyposażenia ochronnego firmy Tractel®, takich jak urządzenia zapobiegające upadkom stopcable™ i stopfor™, automatyczne związające powrotne blocfor™ oraz liny asekuracyjne Tractel® obowiązuje pod warunkiem, że począwszy od daty produkcji były one:

- użytkowane w normalnych warunkach, zgodnie z zaleceniami dotyczącymi użytkowania zamieszczonymi w niniejszej instrukcji,
 - poddawane przeglądowi okresowemu, które muszą być przeprowadzane co najmniej 1 raz na rok przez uprawnionego, kompetentnego technika. Po przeprowadzeniu przeglądu okresowego, technik musi potwierdzić na piśmie, że osobiste wyposażenie ochronne może zostać przeznaczony do dalszego wykorzystania,
 - przechowywane i transportowane zgodnie z zaleceniami określonymi w niniejszej instrukcji.
- Z reguły, pod warunkiem, że przestrzegane są wyżej wymienione warunki użytkowania, przewidywany okres użytkowania lin jest dłuższy niż 10 lat.

14. Wycofanie z użytkowania

Podczas wycofywania produktu z użytkowania, należy koniecznie przeznaczyć poszczególne komponenty do recyklingu, przeprowadzając sortowanie metali oraz materiałów z tworzyw sztucznych. Materiały te muszą zostać przekazane do recyklingu w wyspecjalizowanych zakładach. Podczas wycofywania produktu z użytkowania, czynności dotyczące jego demontażu i separacji poszczególnych komponentów powinny zostać przeprowadzone przez kompetentną osobę.

Nazwa i adres producenta:
Tractel SAS - RD 619 BP 38
Saint Hilaire Sous Romilly
10 102 Romilly sur Seine
France

1. Основные инструкции

1. Страховочная привязь НТ/ЕТ – это элемент системы защиты от падения, страховочная привязь НТ R – это элемент системы защиты от падения, который может использоваться при проведении спасательных операций. Привязные ремни соответствуют стандарту(ам) EN 361/EN1497 и могут использоваться совместно со страховочными поясами CE, которые соответствуют стандарту EN 358. Эти два типа снаряжения могут использоваться исключительно одним специально обученным и/или компетентным лицом либо оператором под непосредственным наблюдением таких лиц.
2. Для обеспечения безопасного и эффективного использования снаряжения перед началом использования привязных ремней безопасности НТ следует прочесть данную инструкцию фирмы Tractel® SAS и соблюдать ее положения. Каждый пользователь должен сохранить эту инструкцию и иметь доступ к ней в любой момент. Дополнительные копии инструкции предоставляются по требованию. Рекомендуется осуществить первое испытание в условиях подвески в надежном месте для того, чтобы убедиться в том, что привязные ремни безопасности правильно отрегулированы и являются удобными для предусматриваемого использования и убедитесь в том, что воздушная тяга является достаточной.
3. Прежде чем начать использовать это снаряжение для защиты от падения, необходимо пройти соответствующий инструктаж. Проверьте состояние сопутствующего снаряжения.
4. В случае очевидного ненадлежащего состояния страховочной привязи необходимо выполнить ее проверку, которую осуществляет компания Tractel® SAS либо уполномоченный компетентный специалист с последующей выдачей письменного разрешения на повторное использование комплекта. Рекомендуется осуществлять визуальную проверку снаряжения каждый раз перед началом использования.
5. Внесение каких бы то ни было изменений в конструкцию снаряжения или монтаж дополнительных элементов может быть осуществлен только при наличии предварительного письменного разрешения фирмы Tractel® SAS. Транспортировку и хранение снаряжения следует осуществлять в фабричной упаковке.
6. Если состояние страховочной привязи не подвергалось периодическим проверкам в течение последних 12 месяцев, ее дальнейшее использование не допускается. Дальнейшее использование комплекта допускается только после проведения новой периодической проверки, которую выполняет уполномоченный компетентный специалист с последующей выдачей письменного разрешения на использование комплекта. В отсутствие такой проверки и соответствующего разрешения страховочная привязь подлежит списанию и уничтожению. Если привязные ремни были использованы для предотвращения падения хотя бы один раз, их следует списать и уничтожить.
7. Максимальная рабочая нагрузка для страховочной привязи НТ/ЕТ и удерживающих страховочных поясов CE – 150 кг.
8. Если масса пользователя со снаряжением и оборудованием составляет от 100 до 150 кг, необходимо убедиться, что общая масса (пользователь + снаряжение + оборудование) не превышает максимальную рабочую нагрузку для каждого из элементов системы защиты от падения.
9. Данное снаряжение предназначено для использования при строительных работах на открытом воздухе и в диапазоне температур от -30 °C до +60 °C. Следует избегать соприкосновения привязных ремней безопасности с острыми краями, абразивными поверхностями и химическими продуктами.
10. Внимание: если данное снаряжение будет использоваться одним из ваших сотрудников, работников и т.п., вы обязаны соблюдать соответствующее трудовое законодательство.
11. При использовании снаряжения оператор должен находиться в надлежащей физической и психической форме. В случае сомнения следует обратиться к лечащему врачу или к врачу предприятия. Категорически воспрещается использовать снаряжение при беременности.
12. Снаряжение можно использовать только в рамках применения и только в ситуациях, для которых оно предусмотрено: см. «4. Функции и описание».
13. Рекомендуется лично выдавать снаряжение каждому оператору, особенно если речь идет о штатных работников.
14. До начала использования системы защиты от падения NF EN 363, пользователь должен убедиться в том, что все элементы находятся в рабочем состоянии: система безопасности, замки. После монтажа устройств обеспечения безопасности их конструкция не следует изменять ни при каких обстоятельствах.
15. Каждый раз перед использованием системы защиты от падения необходимо убедиться в наличии свободного пространства под оператором на его рабочем месте; это необходимо для того, чтобы в случае падения исключить риск столкновения с землей или другим препятствием на пути падения.

Рис. 4.с, сmp.5.

- ▶ **h1** – необходимая высота: 0 - 1,5 м
- ▶ **h2** – необходимая высота, как минимум, 1 м.
- ▶ **t** – минимальная высота под опорой, на которой находится оператор.

Она меняется в зависимости от вида снаряжения, препятствующего падению, прикрепленного к привязному ремню:

- Карабин blocfor™, t = минимум 3 м.
- Карабин stopfor™, t = минимум 4 м.
- Трос с абсорбером энергии, t = минимум 6 м.
- stopcable™ (EN 353-1), t = минимум 2 м.
- stopcable™ (EN 353-2), t = минимум 4 м.

16. Уход за привязными ремнями безопасности и их хранение следует осуществлять в соответствии с инструкциями по эксплуатации. Несоблюдение положений параграфа об уходе за оборудованием может значительно сократить срок службы привязных ремней.
17. В целях обеспечения безопасности оператора необходимо соблюдать правильное положение устройства или узла крепления, а также выполнять работу таким образом, чтобы свести к минимуму риск падения и его высоту.
18. В целях обеспечения безопасности оператора, при реализации продукции за пределами первой страны назначения дистрибьютор должен предоставить следующие сведения: руководство по эксплуатации, инструкции по техническому обслуживанию, документацию о проведении периодического контроля и починки на языке страны, в которой снаряжение будет использоваться.

RU



ПРИМЕЧАНИЕ

Если снаряжение должно быть использовано в особых ситуациях, убедительно просим обратиться в TRACTEL®.

2. Определения и условные обозначения

2.1 Определения

«**Пользователь**»: Лицо или служба, ответственные за управление и безопасность использования продукции, описанной в руководстве.

«**Техник**»: Квалифицированный сотрудник, отвечающий за операции по техническому обслуживанию, предусмотренные руководством, который обладает необходимыми знаниями и хорошо знаком с продукцией.

«**Оператор**»: Лицо, управляющее использованием продукции в соответствии с ее назначением.

«**СИЗ**»: Средства индивидуальной защиты от падения с высоты.

«**Соединитель**»: Устройство, соединяющее элементы системы защиты от падения. Соответствует стандарту EN 362.

«**Страховочная привязь для защиты от падения**»: Система удержания корпуса, предназначенная для защиты от падения. Состоит из ремней и пряжек. Оснащена узлами крепления для защиты от падения; узлы крепления, обозначенные «**A**», могут использоваться самостоятельно, узлы крепления, обозначенные «**A/2**», должны использоваться в сочетании с другим узлом крепления «**A/2**». Соответствует стандарту EN 361.

«**Максимальная рабочая нагрузка**»: Максимальная масса пользователя, включая снаряжение, средства индивидуальной защиты, рабочую одежду, оборудование и другие необходимые инструменты.

«**Система защиты от падения**»: Комплект, состоящий из следующих элементов:

- Страховочная привязь для защиты от падения.
- Автоматическая система защиты от падения либо поглотитель энергии, либо мобильная система защиты от падения на жесткой страховочной опоре, либо мобильная система защиты от падения на гибкой страховочной опоре.
- Крепление.
- Соединительный элемент.

«**Элемент системы защиты от падения**»: Общий термин, обозначающий один из следующих элементов:

- Страховочная привязь для защиты от падения.
- Автоматическая система защиты от падения либо поглотитель энергии, либо мобильная система защиты от падения на жесткой страховочной опоре, либо мобильная система защиты от падения на гибкой страховочной опоре.
- Крепление.
- Соединительный элемент.

2.2. Условные обозначения



ОПАСНО: Размещается в начале линии, обозначает инструкции, направленные на предупреждение травматизма (причинение смертельных, тяжелых и незначительных травм) и нанесения ущерба окружающей среде.



ВАЖНО: Размещается в начале линии, обозначает инструкции, направленные на предупреждение неисправностей или повреждений снаряжения, не угрожающих непосредственно жизни или здоровью оператора или других лиц и не представляющих опасность для окружающей среды.



ПРИМЕЧАНИЕ: Размещается в начале линии, обозначает инструкции, направленные на обеспечение эффективности и удобства установки, эксплуатации или технического обслуживания.

3. Условия использования

Проверка перед использованием:

- Зрительная проверка состояния привязных ремней, лямок, швов и системы креплений. На лямках и швах не должно быть видно потертостей, выдернутых ниток, прожогов или дыр. На элементах регулирования и системе креплений не должно быть видно следов коррозии или деформации. Следует убедиться в правильности функционирования таких элементов. Если вы не уверены в исправности снаряжения, его следует немедленно вывести из употребления.
- Следует проверить состояние соединенных элементов привязных ремней и зажимов.
- Необходимо полностью проверить систему остановки падений.

4. Функции и описание



ВАЖНО: Привязные ремни НТ предназначены для создания места сцепки на спецодежде оператора для того, чтобы снабдить его системой, которая защитит его от падения при выполнении работ на высоте. Привязные ремни безопасности являются единственным видом снаряжения, охватывающим тело пользователя, которое разрешается использовать в качестве составляющего элемента системы защиты от падений.

Страховочные пояса СЕ представляют собой устройства, удерживающие рабочего на месте.



ОПАСНО: Страховочные пояса СЕ не должны использоваться в качестве защиты от падения с высоты.

Максимальная рабочая нагрузка страховочной привязи НТ/ЕТ и удерживающих страховочных поясов СЕ составляет 150 кг.

Перед использованием необходимо убедиться, что все элементы системы защиты от падения совместимы с данной нагрузкой (см. соответствующие руководства).

В противном случае максимальная нагрузка всей системы должна равняться максимальной нагрузке элемента, имеющего самую низкую максимальную нагрузку.

В зависимости от типа привязного ремня существуют несколько видов использования:

- Привязные ремни с креплением на спине: обеспечение безопасности в случае падения при работах на высоте.


- Привязные ремни с креплением на спине и на груди: те же функции, что и у привязных ремней с креплением на спине + стабилизация, безопасность при подъеме и др.
- Привязные ремни с креплением на поясе: обеспечение безопасности в случае падения в зависимости от вида и наличия точек сцепки; крепление на поясе для стабилизации на месте работы. Трос системы удержания на рабочем месте должен быть всегда натянут, свободное перемещение допускается в радиусе 0,6 м.
- Конструкция привязных ремней NT R подобна конструкции привязных ремней NT. Кроме того, модели NT R оборудованы дополнительным спасательным тросом, пришитым клямкам. Этот трос позволяет спасателю осуществить эвакуацию в оптимальных условиях. Привязные ремни снабжены этикеткой, расположенной рядом с кубиком спасательного троса, предназначенного для сцепления. На этикетке указано, что трос следует использовать только для проведения спасательных работ.
- Привязные ремни безопасности Ladytrac™ предназначены главным образом для женщин. Они были специально разработаны и запатентованы с учетом морфологии женского тела. Эти ремни безопасности снабжены жилетом, за счет чего их легко надеть.
- Привязной ремень безопасности NT120 имеет нагрудное крепление, специально разработанное и размещенное с целью защиты от падения при выполнении работ на высоте. В случае падения нагрудное крепление имеет способность смещаться путем разрыва шва. Данный принцип является запатентованным и был разработан специально для этого типа крепления, обеспечивая свободу передвижения работника во время подъема или спуска.

См. таблицу видов привязных ремней безопасности на странице 2.

ОПАСНО

Категорически запрещается использовать в качестве точки сцепки для защиты от падения боковые точки сцепки пояса, которые служат для стабилизации на месте работы (EN 358) при использовании совместно со стабилизационным тросом (EN 358), а также точку сцепки спасательного троса (EN 1497), которая служит только для проведения эвакуации.

Рис. 4 (a, c, d), стр. 5.

 **ОПАСНО:** Привязные ремни безопасности не следует использовать в иных целях, чем для защиты от падения с высоты. Категорически воспрещается использовать привязные ремни безопасности для игр или занятий спортом.

5. Противопоказания к использованию

Категорически запрещается:

- устанавливать или использовать страховочную привязь НТ/ЕТ или удерживающий страховочный пояс СЕ без соответствующего разрешения, уровня подготовки и квалификации или, в противном случае, в отсутствие лица, имеющего соответствующее разрешение, уровень подготовки и квалификации.
- использовать страховочную привязь НТ/ЕТ или удерживающий страховочный пояс СЕ с нечитаемой маркировкой.
- устанавливать или использовать страховочную привязь НТ/ЕТ или удерживающий страховочный пояс СЕ, не прошедшие предварительную проверку.
- использовать страховочную привязь НТ/ЕТ или удерживающий страховочный пояс СЕ, не прошедшие в течение последних 12 месяцев периодическую проверку техником с выдачей письменного разрешения на их использование.
- использовать страховочную привязь НТ/ЕТ в каких-либо иных целях, не связанных с защитой людей от падения с высоты.
- использовать удерживающий страховочный пояс СЕ в каких-либо иных целях, не связанных с удержанием людей на рабочем месте.
- закреплять страховочную привязь НТ/ЕТ в какой-либо иной точке, кроме точки сцепки, обозначенной **A** или **A/2**.
- использовать страховочную привязь НТ/ЕТ или удерживающий страховочный пояс СЕ, не соблюдая указания, содержащиеся в п. «13. Срок службы».
- использовать страховочную привязь НТ/ЕТ или удерживающий страховочный пояс СЕ лицом, масса которого, включая снаряжение и оборудование, превышает 150 кг.
- использовать страховочную привязь НТ/ЕТ или удерживающий страховочный пояс СЕ при нагрузке от 100 до 150 кг (общая масса пользователя, снаряжения и оборудования) в случае, если один из элементов системы защиты от падения имеет более низкую максимальную рабочую нагрузку.
- использовать страховочную привязь НТ/ЕТ после того, как она выдержала падение рабочего с высоты.
- использовать страховочную привязь НТ/ЕТ или удерживающий страховочный пояс СЕ вне температурного диапазона, указанного в данном руководстве.
- использовать страховочную привязь НТ/ЕТ, если выгоды под опорой недостаточно в случае падения рабочего.
- использовать страховочную привязь НТ/ЕТ или удерживающий страховочный пояс СЕ лицам, находящимся в ненадлежащей физической форме.
- использовать страховочную привязь НТ/ЕТ или удерживающий страховочный пояс СЕ беременным женщинам.
- использовать страховочную привязь НТ/ЕТ или удерживающий страховочный пояс СЕ в случае, если функция безопасности одного из сопутствующих элементов зависит от функции безопасности другого элемента или «пересекается» с ней.
- прикреплять страховочную привязь НТ/ЕТ или удерживающий страховочный пояс СЕ посредством системы защиты от падения к структурному узлу крепления, сопротивление которого ниже (предположительно ниже) 12 кН.

- выполнять операции по ремонту или техническому обслуживанию страховочной привязи НТ/ЕТ или удерживающего страховочного пояса СЕ.
- использовать страховочную привязь НТ/ЕТ или удерживающий страховочный пояс СЕ в случае, если комплект является неполным, если он был предварительно разобран или если его элементы были заменены.

6. Установка

Рис. 3, стр. 5.

Застегнуть все регулировочные пряжки страховочной привязи, когда снаряжение надето на оператора.

Отрегулировать длину различных лямок: они не должны быть ни слишком сильно затянутыми, ни слишком свободными для обеспечения максимального удобства и оптимальной защиты против падения. Это является необходимым условием эффективности срабатывания привязных ремней безопасности.

- По мере возможности обеспечить положение структурного узла крепления на высоте от 1,5 до 2 м над ногами оператора. Минимальное сопротивление структурного узла крепления должно составлять 12 кН.
- Соединение с местом крепления или структурой следует осуществить с помощью зажима EN 362.
- При соединении системы защиты от падения с привязными ремнями безопасности см. инструкцию по эксплуатации привязных ремней и системы защиты от падения для использования соответствующего места, а также правильного метода крепления.



ОПАСНО

Перед использованием и во время него следует руководствоваться сценарием, при котором возможное спасение от падения будет эффективно и безопасно осуществлено не более, чем за 15 минут. В случае промедления оператор подвергается опасности.

7. Составляющие компоненты и материалы

Рисунок 1, страница 3: привязные ремни – EN 361 - EN 358 - EN 1497.

- Ремень из полиэфирсульфона.
- Спинная планка из ПЭ.
- Петля из эластомера.
- Регулировочное кольцо из стали.
- Боковое крепление из стали (защита от падения, см. рисунок 1, страница 3).
- Нагрудное крепление из стали или полиэфирсульфона (защита от падения, см. рисунок 1, страница 3).
- Спинное крепление из стали (защита от падения, см. рисунок 1, страница 3).
- Обхваты в области ягодиц из полиэфирсульфона.
- Нагрудная застежка из ПП.
- Маркировочная этикетка.
- Отметкой «А» обозначены точки крепления, расположенные на D-образном кольце или ремне.
- Боковое крепление из стали (крепление стабилизации, см. рисунок 1, страница 3).
- Опора для спины, пена ПЭ и ткань.

- Маркировочная этикетка.
- Место присоединения кольца, ПОМ.
- Регулировочное кольцо из стали.
- Петля из эластомера.
- Спасательный ремень.
- Этикетка спасательного троса.
- Кубик крепления спасательного троса.
- Центральное поясное крепление.
- Лямка + нить: полиэстер.
- Система креплений из оцинкованной стали.
- Опора для спины из покрытой кордурой пенки.
- Спинная планка, петли: полиэтилен, термопластичный эластомер.

8. Дополнительное оборудование

Система остановки при падении (EN 363)

- Крепление (EN 795).
- Конецное соединение (EN 362).
- Система, предотвращающая падение (EN 353 - 1/2-EN 355 - EN 360).
- Крепление (EN 362).
- Привязные ремни безопасности (EN 361).

Перед использованием системы защиты от падения EN 363 пользователь должен убедиться, что все ее составляющие находятся в рабочем состоянии.

9. Техническое обслуживание и хранение

- Если привязные ремни загрязнились, их следует помыть чистой холодной водой с использованием (в случае необходимости) стирального моющего средства для тонких тканей. Использовать синтетическую щетку.
- Если в ходе использования или в результате стирки привязные ремни намокли, их следует высушить в тени, без использования сушилки и вдали от источников нагрева.

См. рис. 5, стр. 5.

- При транспортировке и хранении снаряжение следует защитить от возможных повреждений (соприкосновения с острыми краями, прямых источников нагрева, химикатов, воздействия солнечных лучей и т. п.).

10. Соответствие снаряжения нормативам

Упрощенное акционерное общество Tractel® S.A.S., зарегистрированное по адресу RD 19 - Saint-Hilaire-sous-Romilly - F - 10102 Romilly-sur-Seine - France, подтверждает данным заявлением, что снаряжение, указанное в данной инструкции,

- соответствует положениям регламента (ЕС) 2016/425 Европейского парламента от марта 2016 г.
- и является идентичным СИЗ, проверенным на ЕС-соответствие типа в результате испытаний, проведенных APAVE SUDEUROPE SAS - CS 60193 - 13322 Marseille - France, идентифицированным за номером 0082 и проверенным на соответствие стандартам EN 361 от 2002 г. и EN 358 от 2018 г.,
- а также прошло процедуру, указанную в в приложении VIII к регламенту (ЕС) 2016/425 Европейского парламента, модуль D, под контролем уведомленной организации : APAVE SUDEUROPE SAS - CS 60193 - 13322 Marseille - France, идентификационный номер 0082.

11. Маркировка

На этикетке каждого привязного ремня НТ/ЕТ и поясов СЕ указана следующая информация:

- a. Торговый знак: Tractel®.
- b. Наименование изделия,
- c. Номер каталога с указанием года,
- d. Номер изделия,
- e. Логотип СЕ с номером 0082, номером нотифицированной организации, осуществляющей контроль за продукцией,
- f. Год и месяц производства,
- g. Номер серии,
- h. Графический символ, указывающий на то, что перед использованием изделия необходимо прочесть инструкцию,
- w. Максимальная рабочая нагрузка.

привязные ремни НТ R снабжены дополнительной этикеткой, расположенной рядом с кубиком сцепления спасательного троса. На ней указаны:

- i. торговый знак,
- j. номер стандарта и год применения,
- k. графический символ, указывающий на то, что перед использованием изделия необходимо прочесть инструкцию по эксплуатации.

12. Периодическая проверка

Необходимо проводить ежегодную проверку, но в зависимости от частоты использования, погодных условий и нормативных актов предприятия или страны, где используется снаряжение, периодическую проверку можно осуществлять и чаще.

Периодическую проверку должен осуществлять компетентный специалист с учетом методов выполнения контроля, применяемых производителем, хранящихся в файле «Инструкции по проверке СИЗ Tractel®».

В ходе периодической проверки необходимо проконтролировать четкость маркировки на изделии. Передача в эксплуатацию должна быть осуществлена в письменной форме и возлагается на компетентного специалиста, осуществляющего периодическую проверку. Передача в эксплуатацию продукта должна быть зафиксирована на контрольном листке, который находится в середине настоящей инструкции. Данный контрольный листок должен храниться на протяжении срока службы снаряжения до его уничтожения.

Если данное текстильное изделие было использовано для предотвращения падения хотя бы один раз, оно в обязательном порядке подлежит списанию и уничтожению, даже если на нем отсутствуют какие-либо видимые повреждения.

13. Срок службы

Текстильные СИЗ Tractel®, такие как привязные ремни безопасности, тросы, веревки и абсорберы, механические СИЗ Tractel®, такие как элементы, предотвращающие падение, stopcable™ и stopfor™, а также автоматические – blocfor™ и устройства для защиты от падения при подъеме Tractel®, используются при условии, что с даты их изготовления они обязаны подвергаться:

- нормальной эксплуатации с соблюдением всех требований, описанных в настоящей инструкции;

- периодической проверке не реже 1 раза в год компетентным специалистом. По окончании такой периодической проверки готовность СИЗ к передаче в эксплуатацию должна быть изложена в письменной форме;
- строгому соблюдению условий хранения и транспортировки, изложенных в настоящей инструкции.
- До тех пор пока соблюдаются вышеописанные условия, срок их службы, как правило, может составлять более 10 лет.

14. Утилизация

При утилизации изделия различные составляющие устройства в обязательном порядке подвергаются повторному использованию, что требует сортировки металлических и синтетических деталей. Такие детали проходят обработку в специализированных учреждениях. В процессе утилизации демонтаж устройства с целью сортировки его составляющих должен выполняться компетентным специалистом.

Наименование и адрес изготовителя:

Tractel SAS - RD 619 - BP 38

Saint Hilaire sous Romilly

10102 Romilly sur Seine,

France

NORTH AMERICA

CANADA

Tractel Ltd.

11020 Mirabeau Street
Montréal, QC H1J 2S3,
Canada
Phone: +1 800 561 3229
Fax: +1 514 493 3342
Email: tractel.canada@
tractel.com

Tractel Swingstage

1615 Warden Avenue
Toronto, Ontario M1R 2T3,
Canada
Phone: +1 800 465 4738
Fax: +1 416 298 0168
Email: marketing.
swingstage@tractel.com

MÉXICO

Tractel México S.A. de C.V.

Galileo #20, O cina 504.
Colonia Polanco
México, D.F. CP. 11560
Phone: +52 55 6721 8719
Fax: +52 55 6721 8718
Email: tractel.mexico@
tractel.com

USA

Tractel Inc.

51 Morgan Drive
Norwood, MA 02062, USA
Phone: +1 800 421 0246
Fax: +1 781 826 3642
Email: tractel.usa-east@
tractel.com

168 Mason Way
Unit B2
City of Industry, CA 91746,
USA
Phone: +1 800 675 6727
Fax: +1 626 937 6730
Email: tractel.usa-west@
tractel.com

Safety Products Group

4064 Peavey Road
Chaska, MN 55318, USA
Phone: +1 866 933 2935
Email: info@safetypg.com

BlueWater

4064 Peavey Road
Chaska, MN 55318, USA
Phone: +1 866 579 3965
Email: info@bluewater-mfg.
com

Fabenco, Inc

2002 Karbach St.
Houston, Texas 77092, USA
Phone: +1 713 686 6620
Fax: +1 713 688 8031
Email: info@safetygate.com

EUROPE

GERMANY

Tractel Greifzug GmbH

Scheidtbachstrasse 19-21
51469 Bergisch Gladbach,
Germany
Phone: +49 22 02 10 04 0
Fax: +49 22 02 10 04 70
Email: info.greifzug@tractel.
com

LUXEMBOURG

Tractel Secalt S.A.

Rue de l'Industrie
B.P 1113 - 3895 Foetz,
Luxembourg
Phone: +352 43 42 42-1
Fax: +352 43 42 42-200
Email: secalt@tractel.com

SPAIN

Tractel Ibérica S.A.

Carretera del Medio, 265
08907 L'Hospitalet del
Llobregat
Barcelona, Spain
Phone : +34 93 335 11 00
Fax : +34 93 336 39 16
Email: infotib@tractel.com

FRANCE

Tractel S.A.S.

RD 619 Saint-Hilaire-sous-
Romilly
BP 38 Romilly-sur-Seine
10102, France
Phone: +33 3 25 21 07 00
Fax: +33 3 25 21 07 11
Email: info.tsas@tractel.com

IFMS

32, Rue du Bois Galon
94120 Fontenay sous Bois,
France
Phone: +33 1 56 29 22 22
E-mail: ifms.tractel@tractel.
com

Tractel Solutions SAS

77-79 rue Jules Guesde
69230 St Genis-Laval,
France
Phone: +33 4 78 50 18 18
Fax: +33 4 72 66 25 41
Email: info.tractelsolutions@
tractel.com

GREAT BRITAIN

Tractel UK Limited

Old Lane Halfway
Sheffield S20 3GA, United
Kingdom
Phone: +44 114 248 22 66
Email: sales.uk@tractel.com

ITALY

Tractel Italiana SpA

Viale Europa 50
Cologno Monzese (Milano)
20093, Italy
Phone: +39 02 254 47 86
Fax: +39 02 254 71 39
Email: infoit@tractel.com

NETHERLANDS

Tractel Benelux BV

Paardeweide 38
Breda 4824 EH,
Netherlands
Phone: +31 76 54 35 135
Fax: +31 76 54 35 136
Email: sales.benelux@
tractel.com

PORTUGAL

Lusotractal Lda

Bairro Alto Do Outeiro
Armazém 1
Trajouce, 2785-653 S.
Domingos
de Rana, Portugal
Phone: +351 214 459 800
Fax: +351 214 459809
Email: comercial.
lusotractal@tractel.com

POLAND

Tractel Polska Sp. z o.o.

ul. Byslawska 82
Warszawa 04-993, Poland
Phone: +48 22 616 42 44
Fax: +48 22 616 42 47
Email: tractel.polska@
tractel.com

NORDICS

Tractel Nordics

Turkkirata 26
FI - 33960
PIRKKALA, Finland
Phone: +358 10 680 7000
Fax: +358 10 680 7033
E-mail: tractel@scanclimber.
com

RUSSIA

Tractel Russia O.O.O.

Olympisky Prospect 38,
Office 411
Mytishchi, Moscow Region
141006, Russia
Phone: +7 495 989 5135
Email: info.russia@tractel.
com

ASIA

CHINA

Shanghai Tractel Mechanical Equip. Tech. Co. Ltd.

2nd oor, Block 1, 3500
Xiupu road,
Kangqiao, Pudong,
Shanghai, People's Republic
of China
Phone: +86 21 6322 5570
Fax : +86 21 5353 0982

SINGAPORE

Tractel Singapore Pte Ltd

50 Woodlands Industrial
Park E7
Singapore 757824
Phone: +65 6757 3113
Fax: +65 6757 3003
Email: enquiry@
tractelsingapore.com

UAE

Tractel Secalt SA

Dubai Branch
Office 1404, Prime Tower
Business Bay
PB 25768 Dubai, United
Arab Emirates
Phone: +971 4 343 0703
Email: tractel.me@tractel.
com

INDIA

Secalt India Pvt Ltd.

412/A, 4th Floor, C-Wing,
Kailash Business Park, Veer
Savarkar Road, Parksite,
Vikhroli West,
Mumbai 400079, India
Phone: +91 22
25175470/71/72
Email: info@secalt-india.com

TURKEY

Knot Yapı ve İş Güvenliği San.Tic. A.Ş.

Cevizli Mh. Tugay Yolu CD.
Nuvo Dragos Sitesi
A/120 Kat.11 Maltepe
34846 Istanbul, Turkey
Phone: +90 216 377 13 13
Fax: +90 216 377 54 44
Email: info@knot.com.tr

ANY OTHER COUN- TRIES:

Tractel S.A.S.

RD 619 Saint-Hilaire-sous-
Romilly
BP 38 Romilly-sur-Seine
10102, France
Phone: +33 3 25 21 07 00
Fax: +33 3 25 21 07 11
Email: info.tsas@tractel.com

